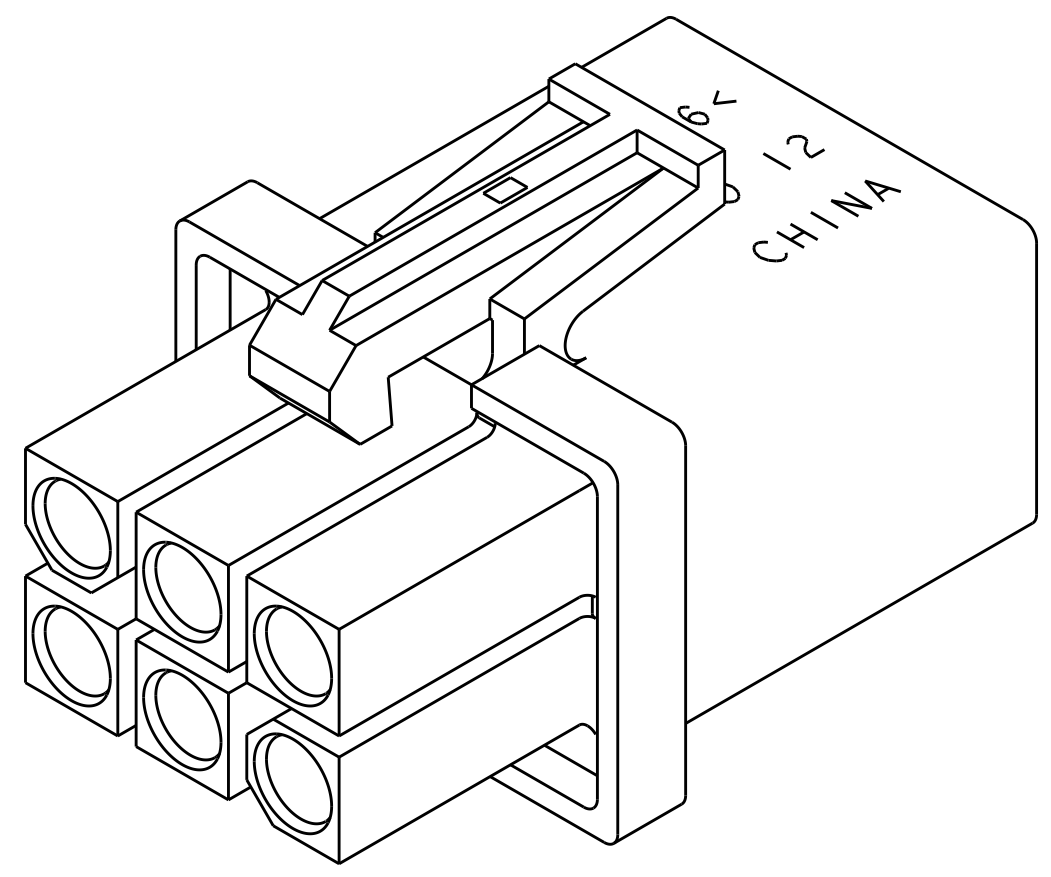
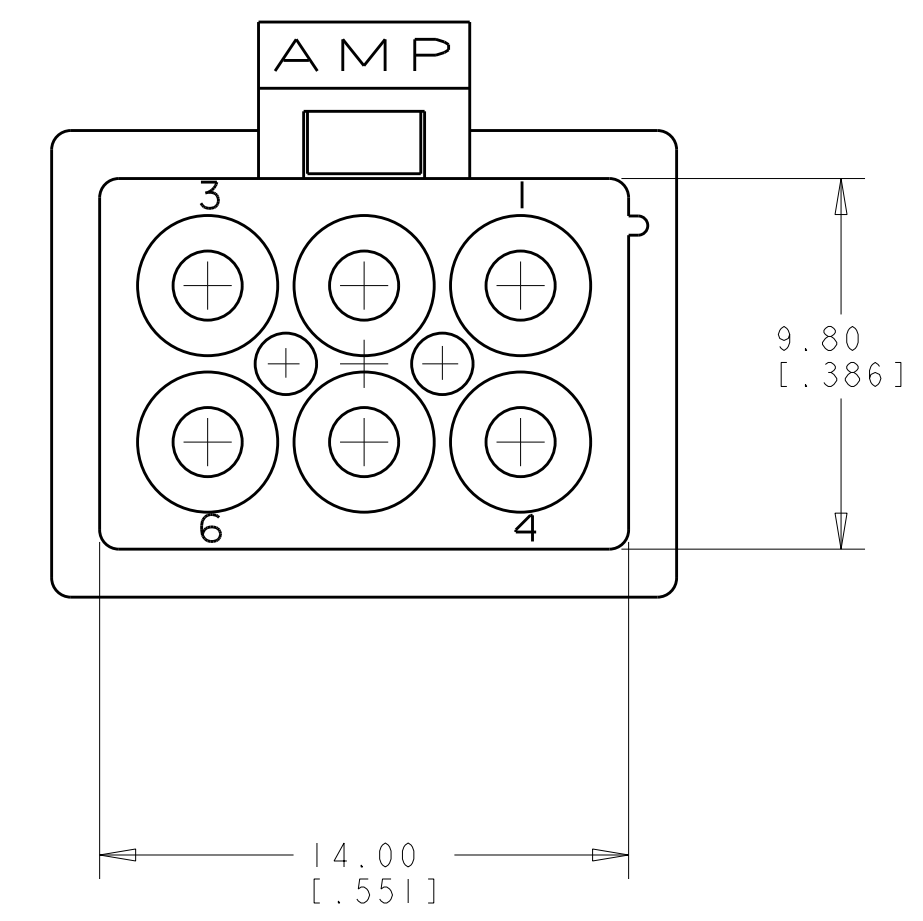
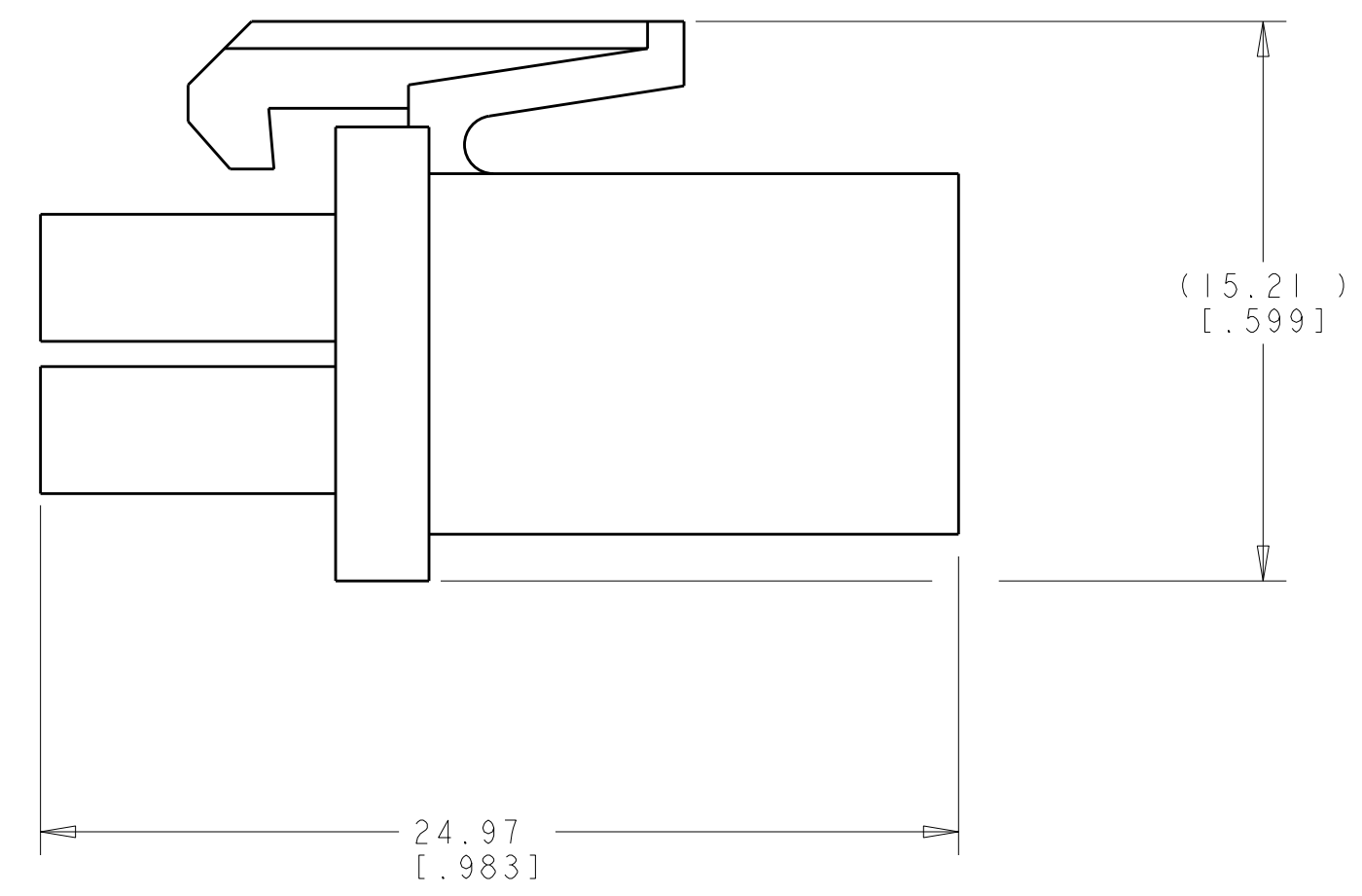
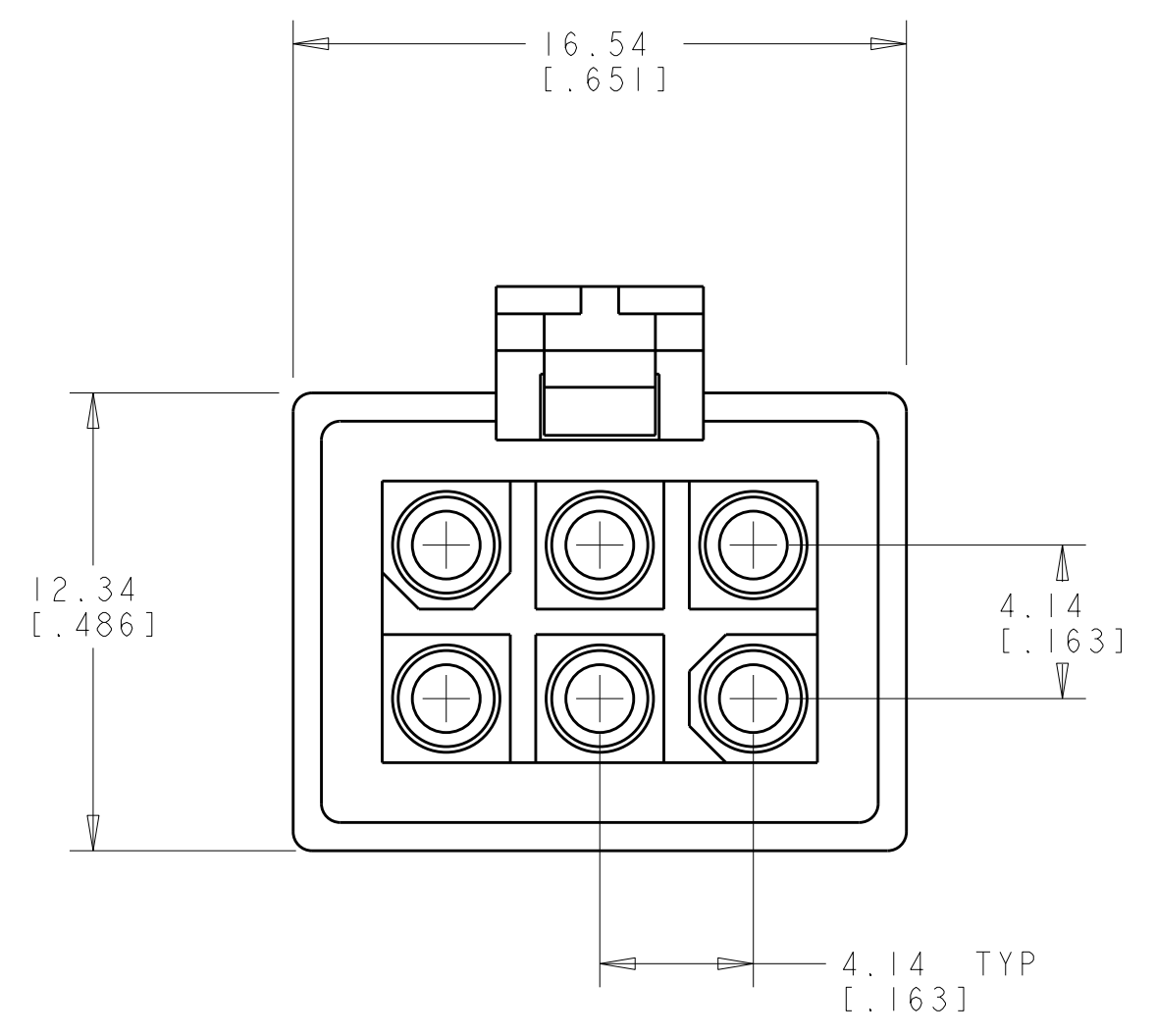


REVISIONS				
P	LTB	DESCRIPTION	DATE	OWN APVD
C		REVISED PER ECR-12-017444	27NOV2017	BW SG

1. DIMENSIONS IN BRACKETS ARE IN INCHES.
2. FLAMMABILITY V-2 FOR THICKNESS 0.38mm, 0.75mm, 1.5mm AND 3.0mm PER IEC 60695-11-10.
3. GLOW-WIRE FLAMMABILITY (GWI) 800°C FOR THICKNESS 0.38mm AND 0.75mm PER IEC 60695-2-12.
4. GLOW-WIRE FLAMMABILITY (GWI) 960°C FOR THICKNESS 1.5mm AND 3.0mm PER IEC 60695-2-12.
5. GLOW-WIRE IGNITION (GWIT) 825°C FOR THICKNESS 0.38mm, 0.75mm, 1.5mm, AND 3.0mm PER IEC 60695-2-13.



0.114 IN <sup>3</sup>	1586942-1
VOLUME	PART NUMBER

THIS DRAWING IS A CONTROLLED DOCUMENT.		DWN R. WHITAKER 04DEC2007	NAME PLUG, 6 CIRCUIT, MINI UNIVERSAL MATE-N-LOK(TM)
DIMENSIONS: mm [INCHES]		CHK C. JONES 04DEC2007	
TOLERANCES UNLESS OTHERWISE SPECIFIED:		APVD C. JONES 04DEC2007	PRODUCT SPEC
9 PLC ±			APPLICATION SPEC
1 PLC ±			SIZE CAGE CODE DRAWING NO
2 PLC ±0.13(0.005)			RESTRICTED TO
3 PLC ±			A100779C=1586942
4 PLC ±			WEIGHT
ANGLES ±0°30'			CUSTOMER DRAWING
FINISH			SCALE 5:1 SHEET 1 OF 1 REV C
MATERIAL NYLON, UL94V-2 NATURAL			