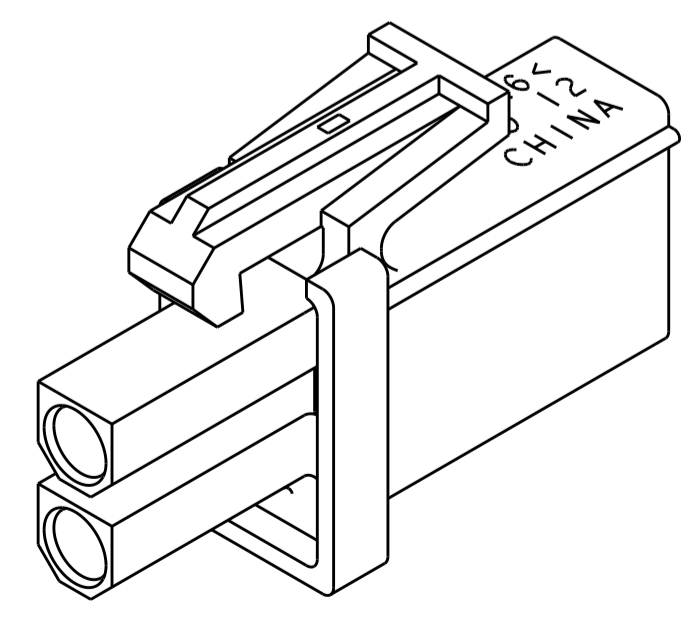
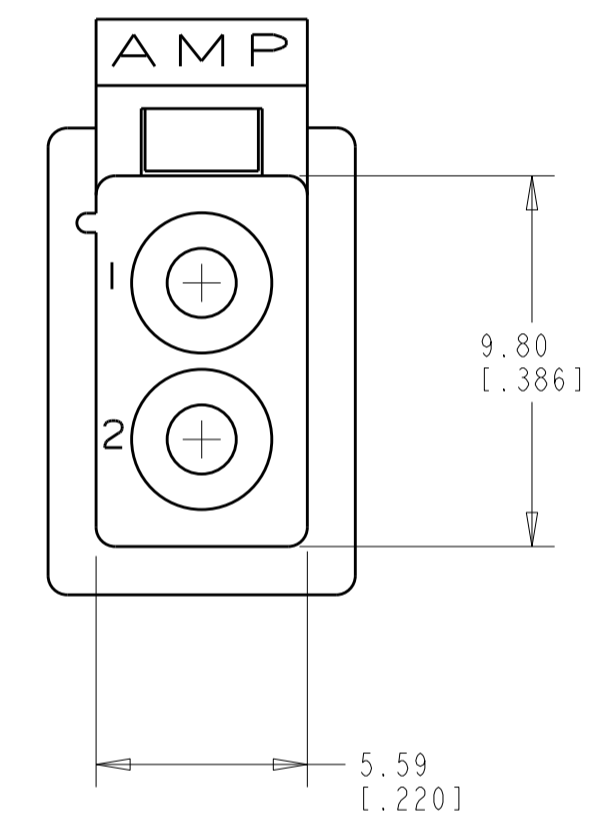
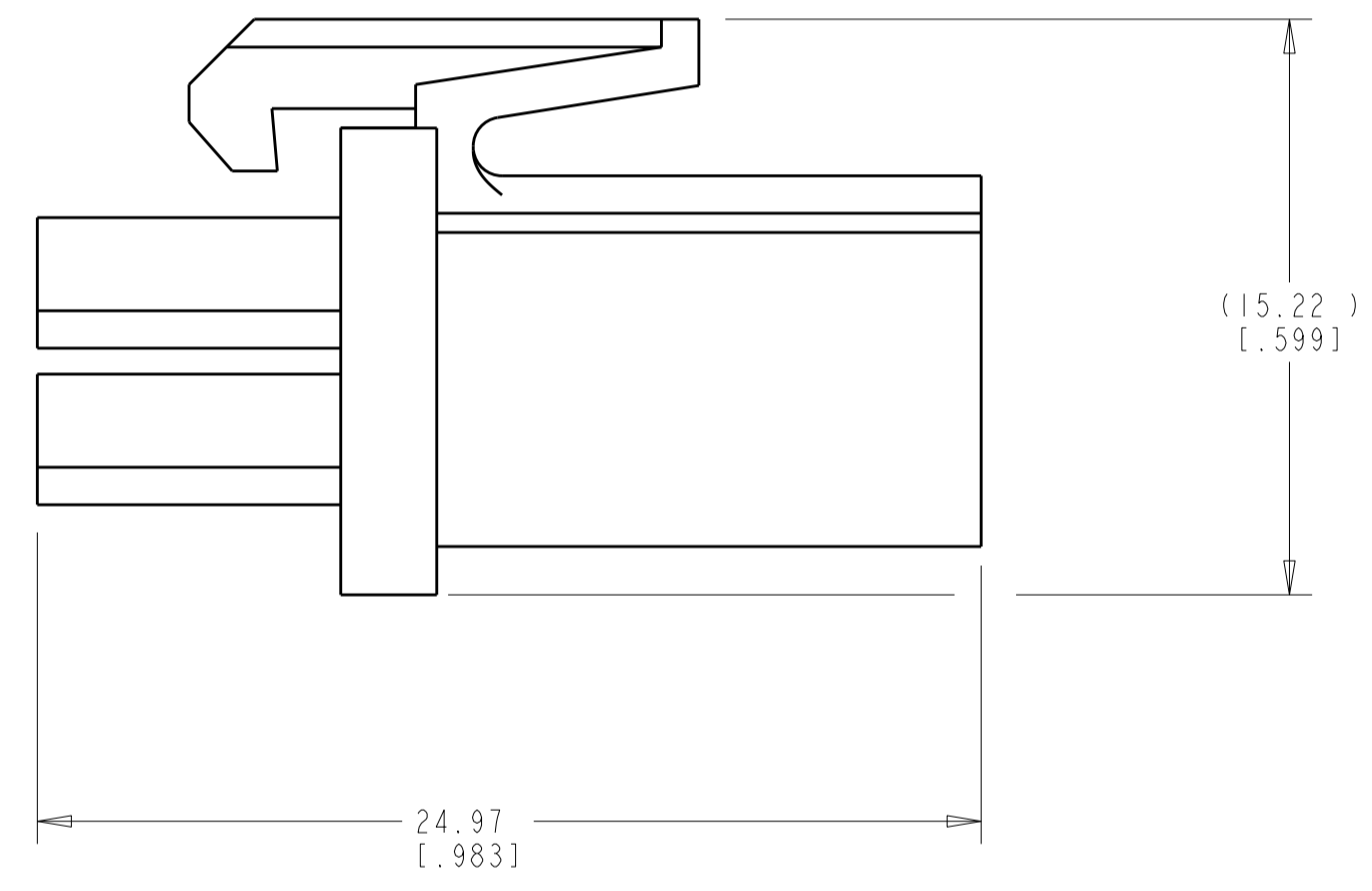
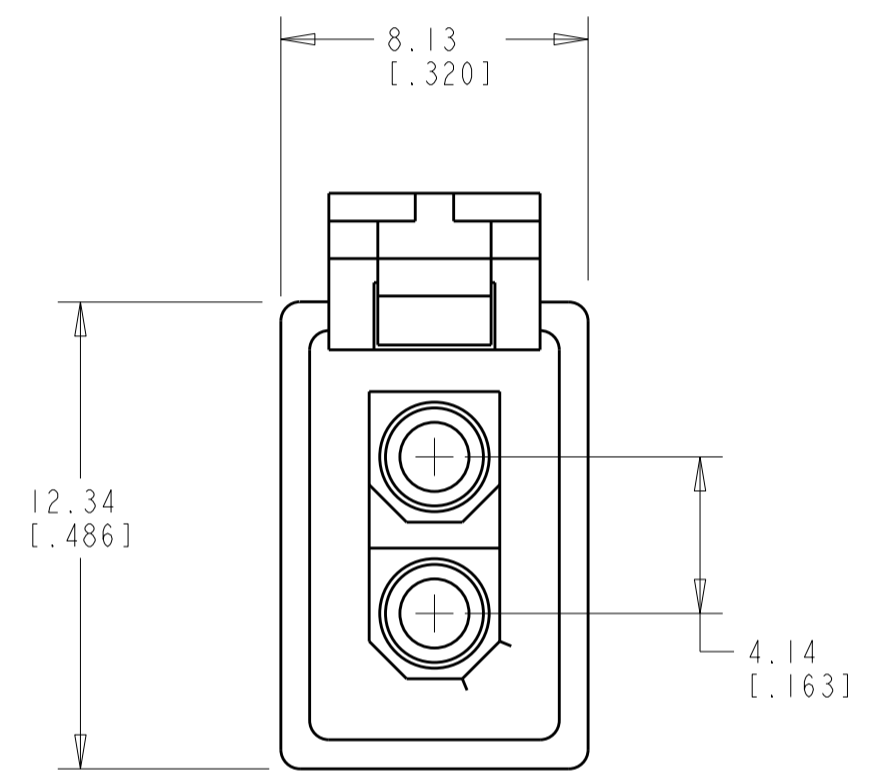


THIS DRAWING IS UNPUBLISHED. RELEASED FOR PUBLICATION 20
 © COPYRIGHT 20 BY - ALL RIGHTS RESERVED.

| REVISIONS | | | | | |
|-----------|-----|---------------------------|-----------|-----|------|
| P | LTR | DESCRIPTION | DATE | DWN | APVD |
| C | | REVISED PER ECR-12-017444 | 27NOV2017 | BW | SG |
| | | | | | |
| | | | | | |

1. DIMENSIONS IN BRACKETS ARE IN INCHES.
2. FLAMMABILITY V-2 FOR THICKNESS 0.38mm, 0.75mm, 1.5mm AND 3.0mm PER IEC 60695-11-10.
3. GLOW-WIRE FLAMMABILITY (GWFI) 800°C FOR THICKNESS 0.38mm AND 0.75mm PER IEC 60695-2-12.
4. GLOW-WIRE FLAMMABILITY (GWFI) 960°C FOR THICKNESS 1.5mm AND 3.0mm PER IEC 60695-2-12.
5. GLOW-WIRE IGNITION (GWIT) 825°C FOR THICKNESS 0.38mm 0.75mm, 1.5mm, AND 3.0mm PER IEC 60695-2-13.



3 DIMENSIONAL MODEL
SCALE 4:1

| | |
|-----------------------|-------------|
| 0.054 IN ³ | 1586940-1 |
| VOLUME | PART NUMBER |

| | | | | |
|--|----------------|---------------------------------|--|--------------|
| THIS DRAWING IS A CONTROLLED DOCUMENT. | | DWN K. WHITAKER 30NOV2007 | TE Connectivity | |
| DIMENSIONS: mm [INCHES] | | CHK C. JONES 30NOV2007 | | |
| TOLERANCES UNLESS OTHERWISE SPECIFIED: | | APVD C. JONES 30NOV2007 | NAME PLUG, 2 CIRCUIT, SEALED APPLICATION, MINI UNIVERSAL MATE-N-LOK(TM) | |
| 0 PLC ±- | 1 PLC ±- | PRODUCT SPEC | SIZE | |
| 2 PLC ±0.13 [.005] | 3 PLC ±- | APPLICATION SPEC | CAGE CODE | |
| 4 PLC ±- | ANGLES ±0° 30' | WEIGHT | DRAWING NO | |
| MATERIAL NYLON, UL94V-2, NATURAL | FINISH | CUSTOMER DRAWING | RESTRICTED TO | |
| | | | A2 | 00779 |
| | | | C=1586940 | |
| | | | SCALE 5:1 | SHEET 1 OF 1 |
| | | | REV C | |