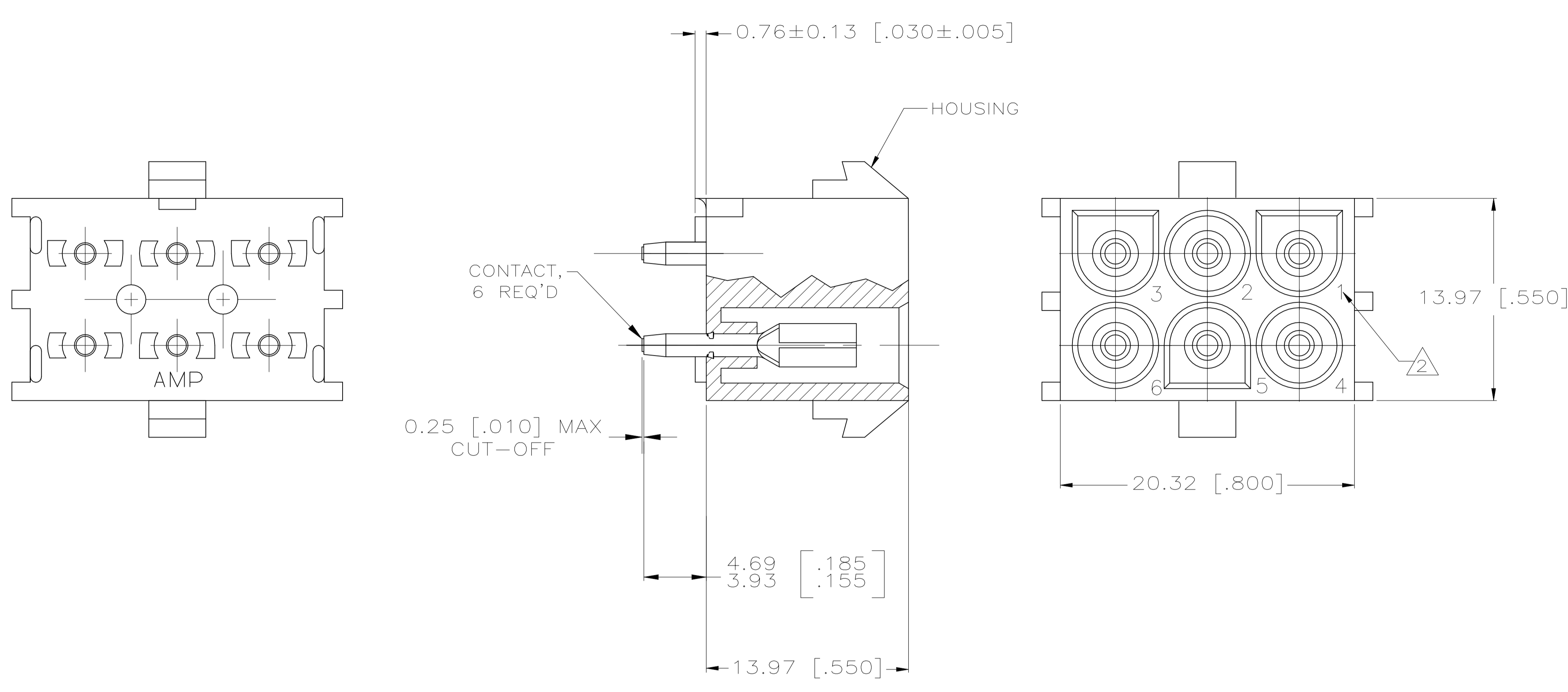
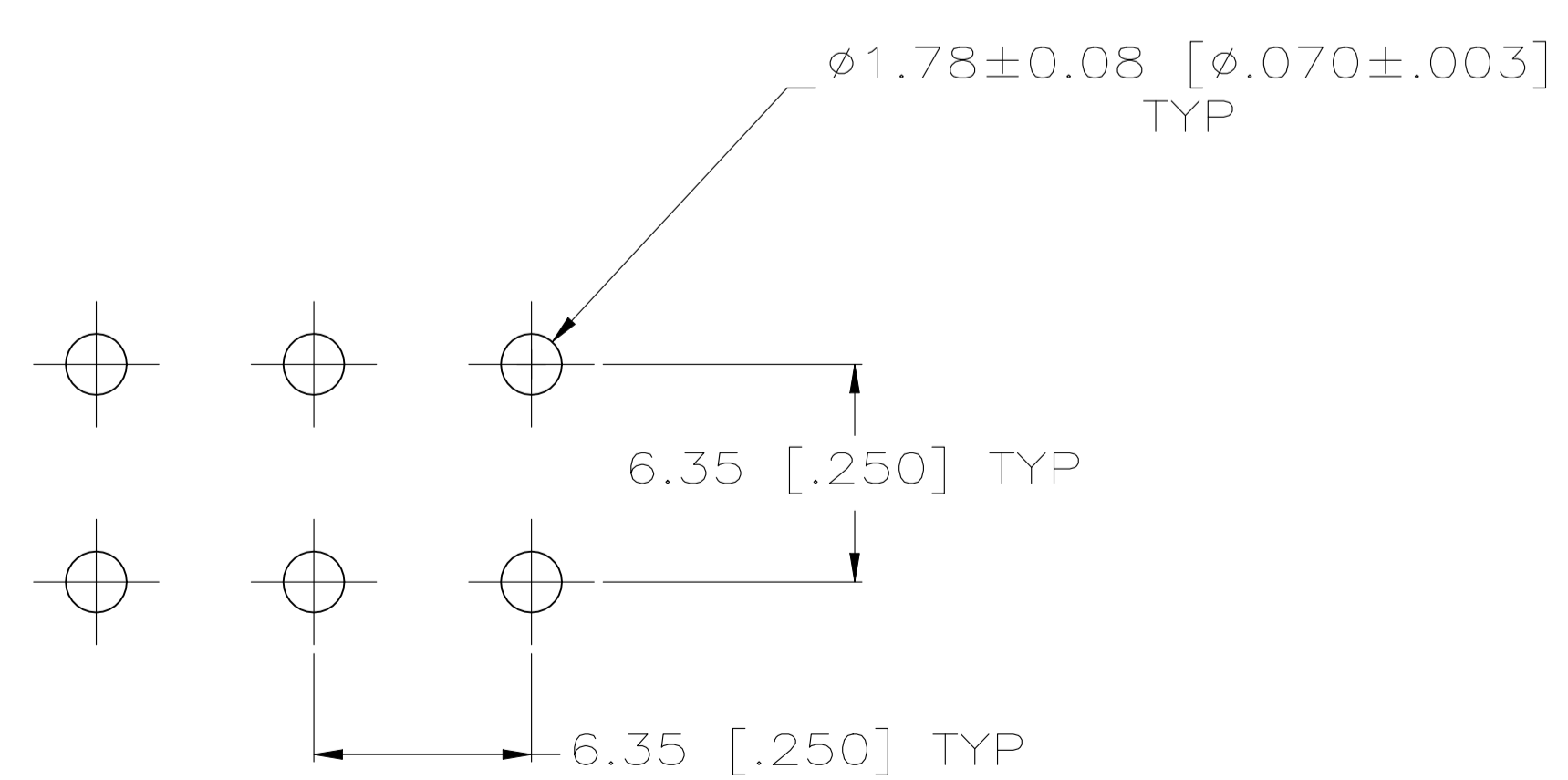


REVISIONS				
REV	DESCRIPTION	DATE	OWN	APVD
B1	REVISED PER ECR-21-118133	22OCT2021	SS	VS

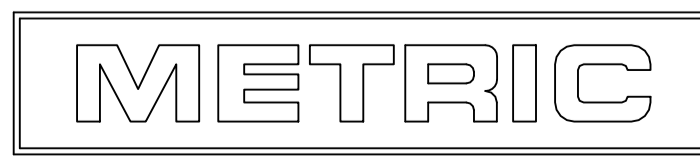


- PARTS MUST COMPLY WITH AMP SOLDERABILITY SPEC 109-11-3.
- CIRCUIT IDENTIFICATION CHARACTERS ARE ADJACENT TO THE INDICATED CAVITIES, BUT LOCATION AND ORIENTATION MAY DIFFER FROM PRINT.
- FLAMMABILITY V2 FOR THICKNESS 0.38mm, 1.5mm, AND 3.0mm PER IEC 60695-11-10.
- GLOW-WIRE FLAMMABILITY (GWFI) 800°C FOR THICKNESS 0.38mm AND 0.75mm PER IEC 60695-2-12.
- GLOW-WIRE FLAMMABILITY (GWFI) 960°C FOR THICKNESS 1.5mm AND 3.0mm PER IEC 60695-2-12.
- GLOW-WIRE IGNITION (GWIT) 825°C FOR THICKNESS 0.38mm, 0.75mm, 1.5mm AND 3.0mm PER IEC 60695-2-13.
- DIMENSIONS SHOWN REPRESENT PRODUCT IN DRY CONDITION. ADDITIONAL 2% GROWTH DUE TO END USE LOCATION MOISTURE ABSORPTION MAY OCCUR AND SHOULD BE ACCOUNTED FOR



RECOMMENDED LAYOUT FOR 1.58 [.062] THICK PC BOARD

PH BRZ TIN	NYLON, NATURAL	1586876-1
CONTACT	HOUSING	PART NO



THIS DRAWING IS A CONTROLLED DOCUMENT.		OWN K. WHITAKER 20MAY2008	TE Connectivity
		CHK D. COLEY 20MAY2008	
		APVD D. COLEY 20MAY2008	NAME 6 CIRCUIT UNIVERSAL MATE-N-LOK (TM) P.C. BOARD SOCKET HEADER ASSEMBLY
DIMENSIONS: mm [INCHES]	TOLERANCES UNLESS OTHERWISE SPECIFIED:	0 PLG ±	APPLICATION SPEC
		1 PLG ±	SIZE
		2 PLG ±	CAGE CODE
		3 PLG ± 0.13 [.005]	DRAWING NO
		4 PLG ±	RESTRICTED TO
		ANGLES ±	WEIGHT
		FINISH ±	0.000000
MATERIAL SEE TABLE		CUSTOMER DRAWING	A1 00779 ©=1586876
		SCALE	5:1
		SHEET	1 OF 1
		REV	B1