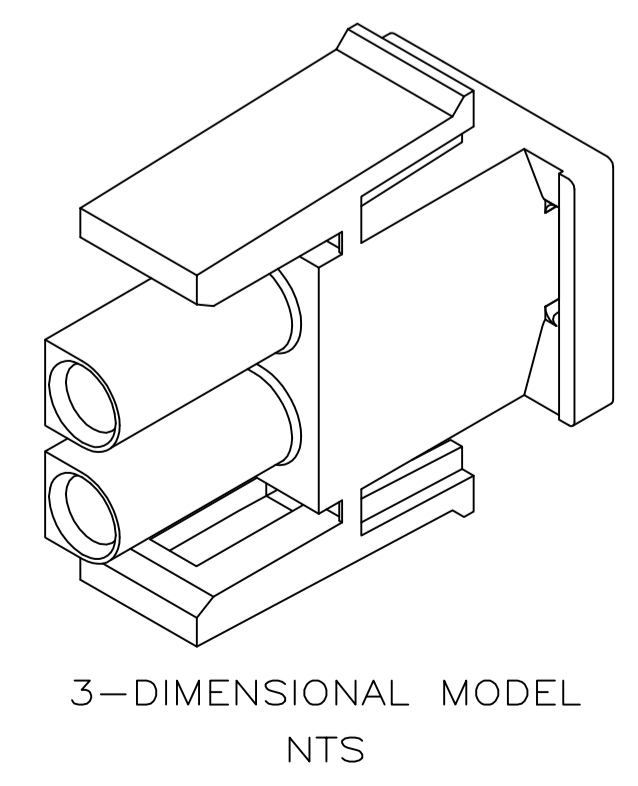
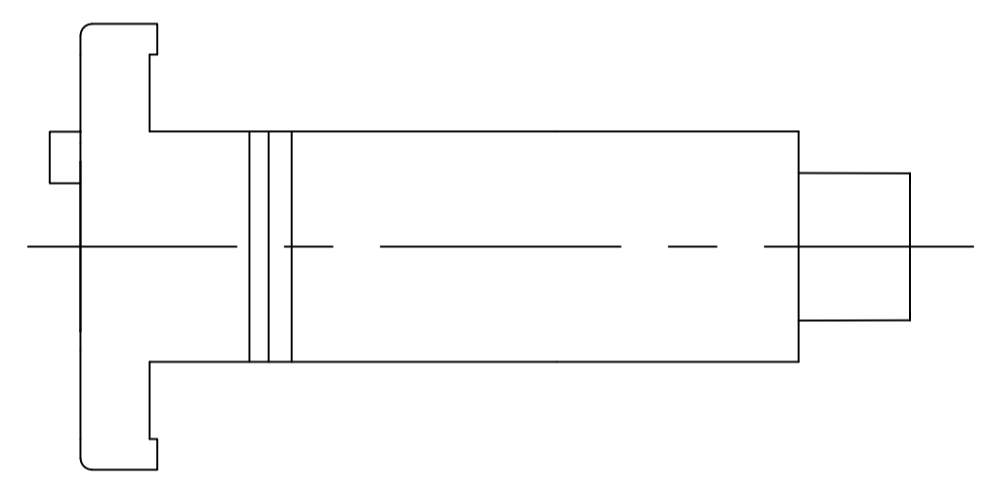


- 1 MATES WITH APPROPRIATE UNIVERSAL MATE-N-LOK™ CAP OR HEADER.
  - 2 SMALL NICKS ARE PERMITTED ON THE CIRCUIT TOWERS WHICH COULD INCREASE THE INITIAL HOUSING MATING FORCE BY UP TO 4.4 NEWTONS [1.0 LBS]. NO INDIVIDUAL NICKED TOWER SHALL INCREASE THIS FORCE BY OVER 2.2 NEWTONS [.5 LBS].
  - 3 DIMENSIONS SHOWN REPRESENT PRODUCT IN DRY, AS MOLDED, CONDITION. ADDITIONAL 2% GROWTH DUE TO SUBSEQUENT MOISTURE ABSORPTION MAY OCCUR AND SHOULD BE ACCOUNTED FOR.
- △4 POSITION #1 LOCATOR FEATURE MAY BE ROUND OR OBLONG (AS DEPICTED).
  - △5 UNDERWRITERS RECOGNIZED COMPONENT LOGO AND CSA CERTIFICATION LOGO TO BE LOCATED ONCE ON ANY SIDE OF HOUSING.
  - △6 SHOWN FOR CONVENIENCE, LOGO MAY BE ON ANY EXTERNAL SURFACE.



27.43	1.080
14.73	.580
13.97	.550
11.68	.460
7.62	.300
0.38	.015
0.13	.005
MM	IN

CONVERSION TABLE

THIS DRAWING IS A CONTROLLED DOCUMENT.		DWN K. WHITAKER 03JUNE2005	NATURAL COLOR		1586702-1
DIMENSIONS: mm		CHK S. RIDGILL 03JUNE2005	TE Connectivity		
TOLERANCES UNLESS OTHERWISE SPECIFIED:		APVD S. RIDGILL 03JUNE2005	PLUG, 2 CIRCUIT, SPECIAL, UNIVERSAL MATE-N-LOK(TM)		
0 PLC ± -		NAME	SIZE		CAGE CODE
1 PLC ± -		PRODUCT SPEC	DRAWING NO		RESTRICTED TO
2 PLC ± 0.13		APPLICATION SPEC	A1 00779		1586702
3 PLC ± -		WEIGHT	SCALE		4:1
4 PLC ± -		CUSTOMER DRAWING	SHEET		1 OF 1
ANGLES ± 0°30'			REV		B1
FINISH -					