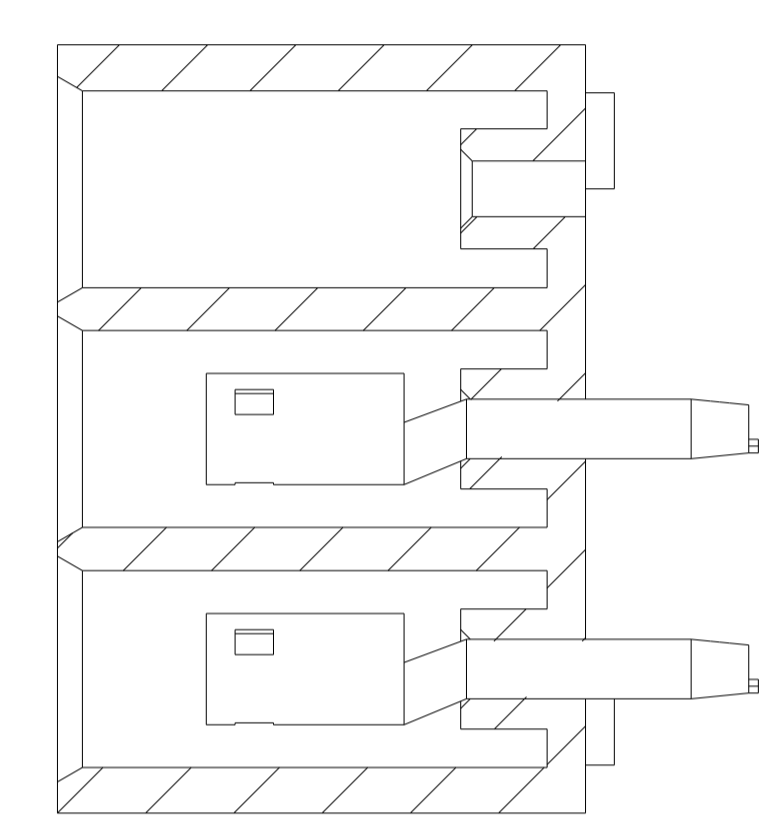
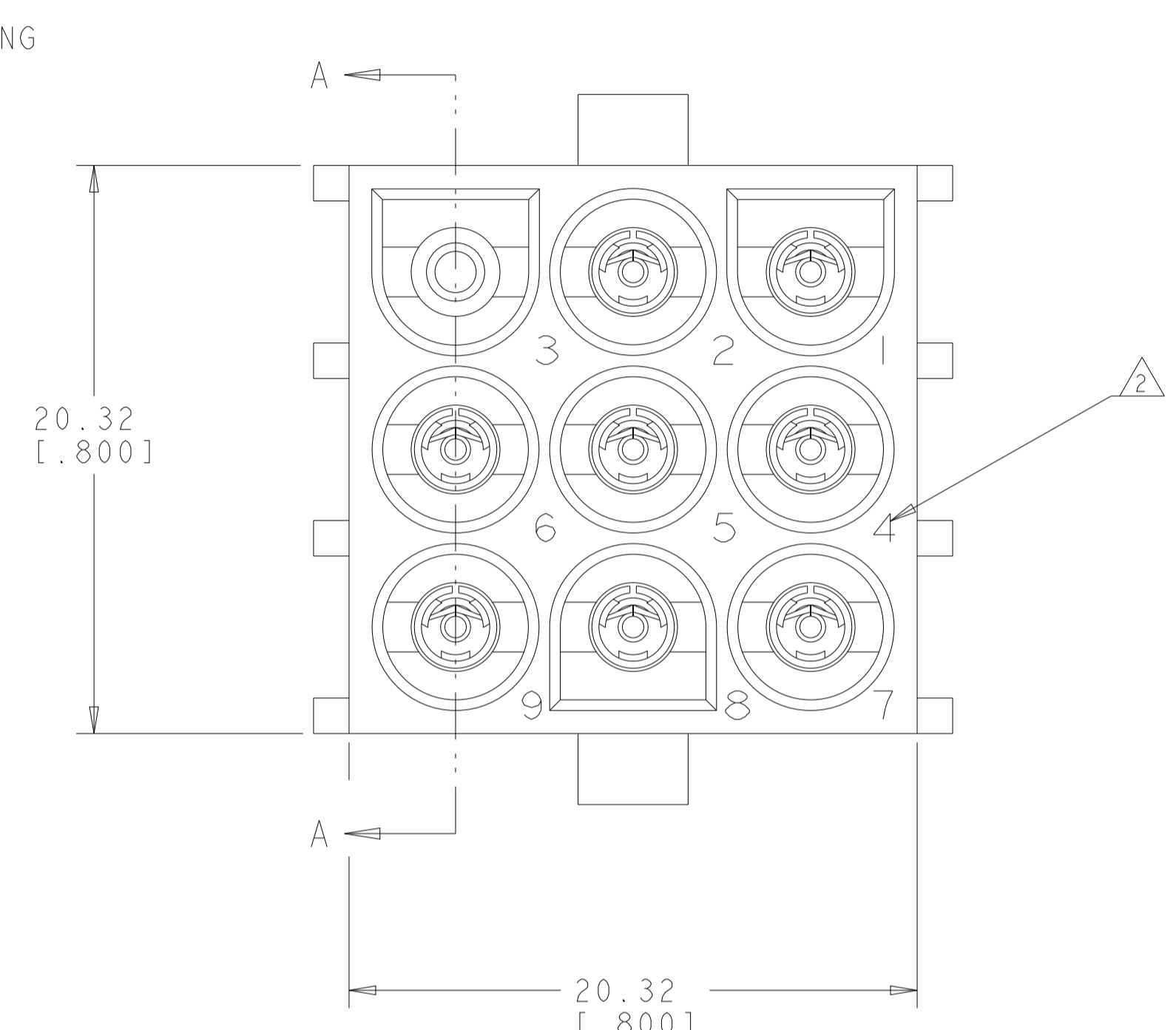
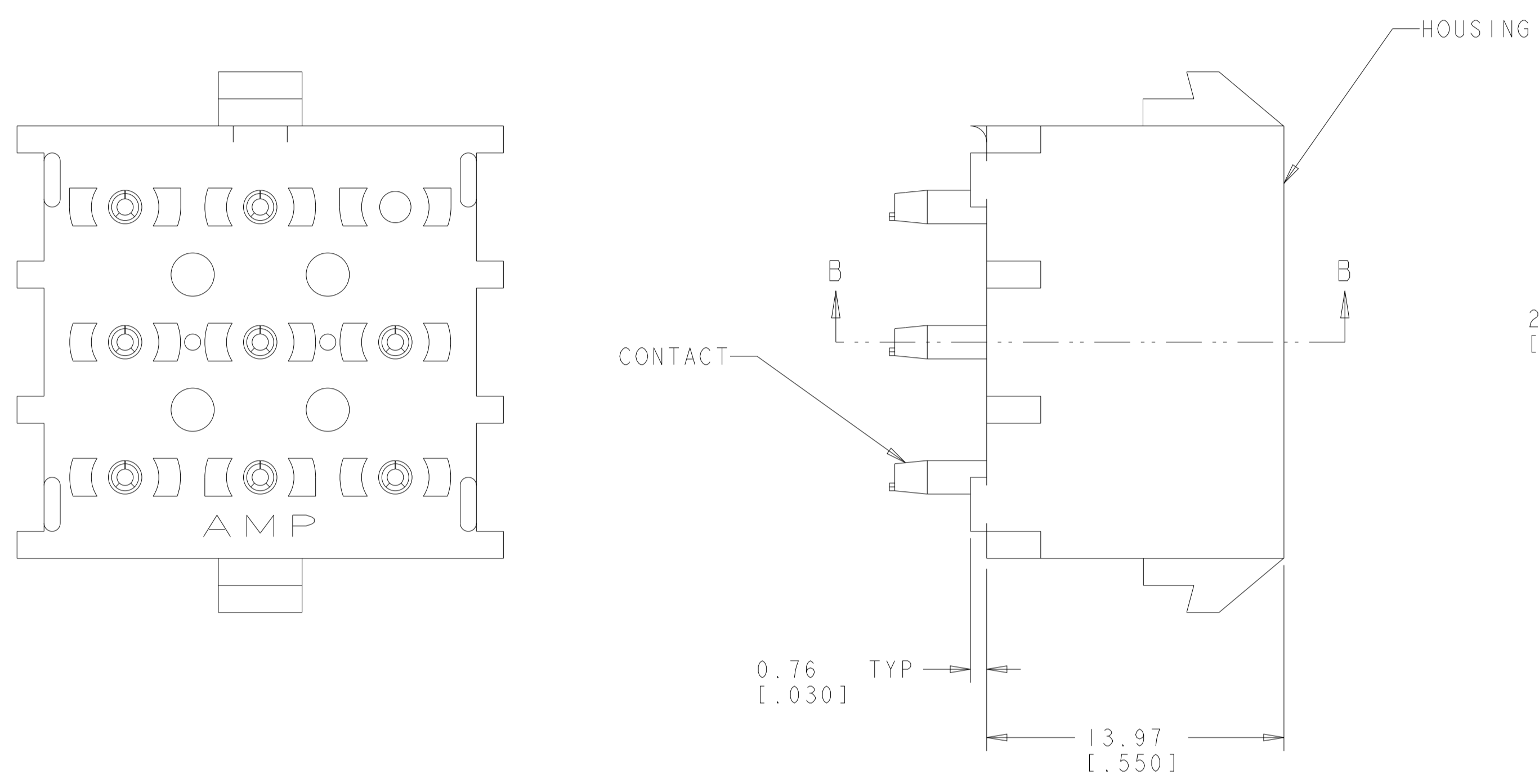
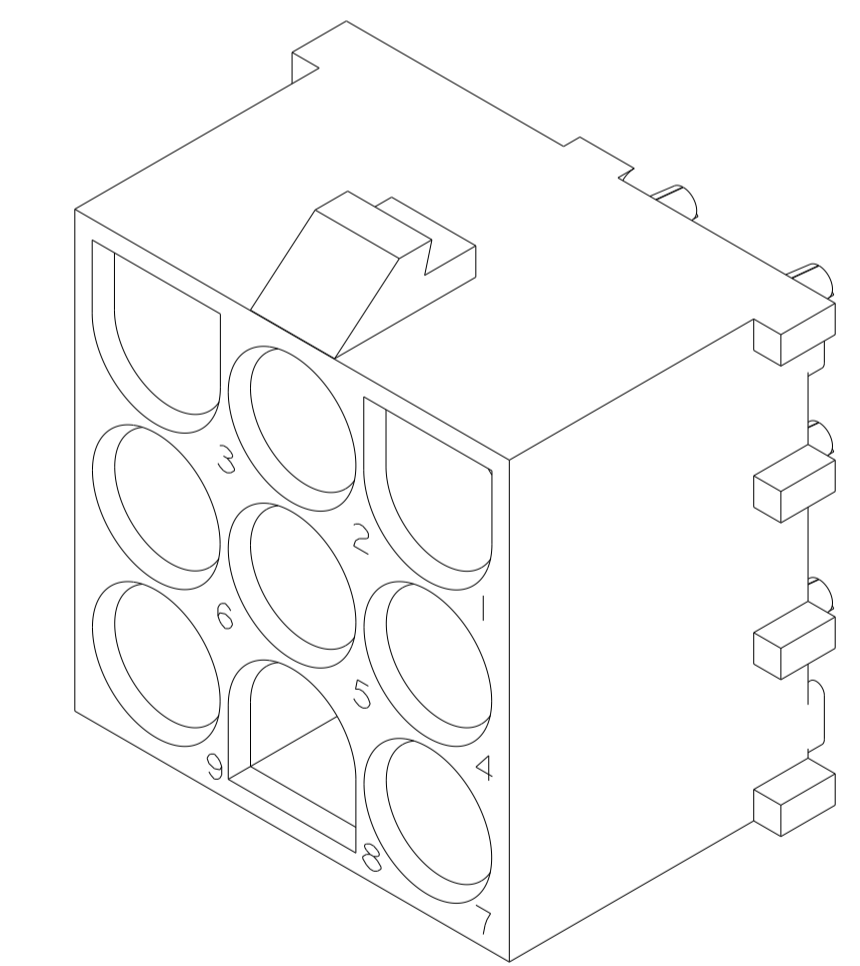


LOC	DIST	REVISIONS					
CM	00	P	LTN	DESCRIPTION	DATE	DWN	APVD
		A		RELEASED PER WR-05-27	03MAY05	KW	SR
		A1		REVISED PER ECR-21-118133	22OCT2021	SS	VS

- PARTS COMPLY TO AMP SOLDERABILITY SPECIFICATION 109-11-3.
- CIRCUIT IDENTIFICATION CHARACTERS ARE ADJACENT TO THE INDICATED CAVITIES, BUT LOCATION AND ORIENTATION MAY DIFFER FROM PRINT.
- DIMENSIONS IN BRACKETS ARE IN INCHES.
- DIMENSIONS SHOWN REPRESENT PRODUCT IN DRY CONDITION. ADDITIONAL 2% GROWTH DUE TO END USE LOCATION MOISTURE ABSORPTION MAY OCCUR AND SHOULD BE ACCOUNTED FOR.

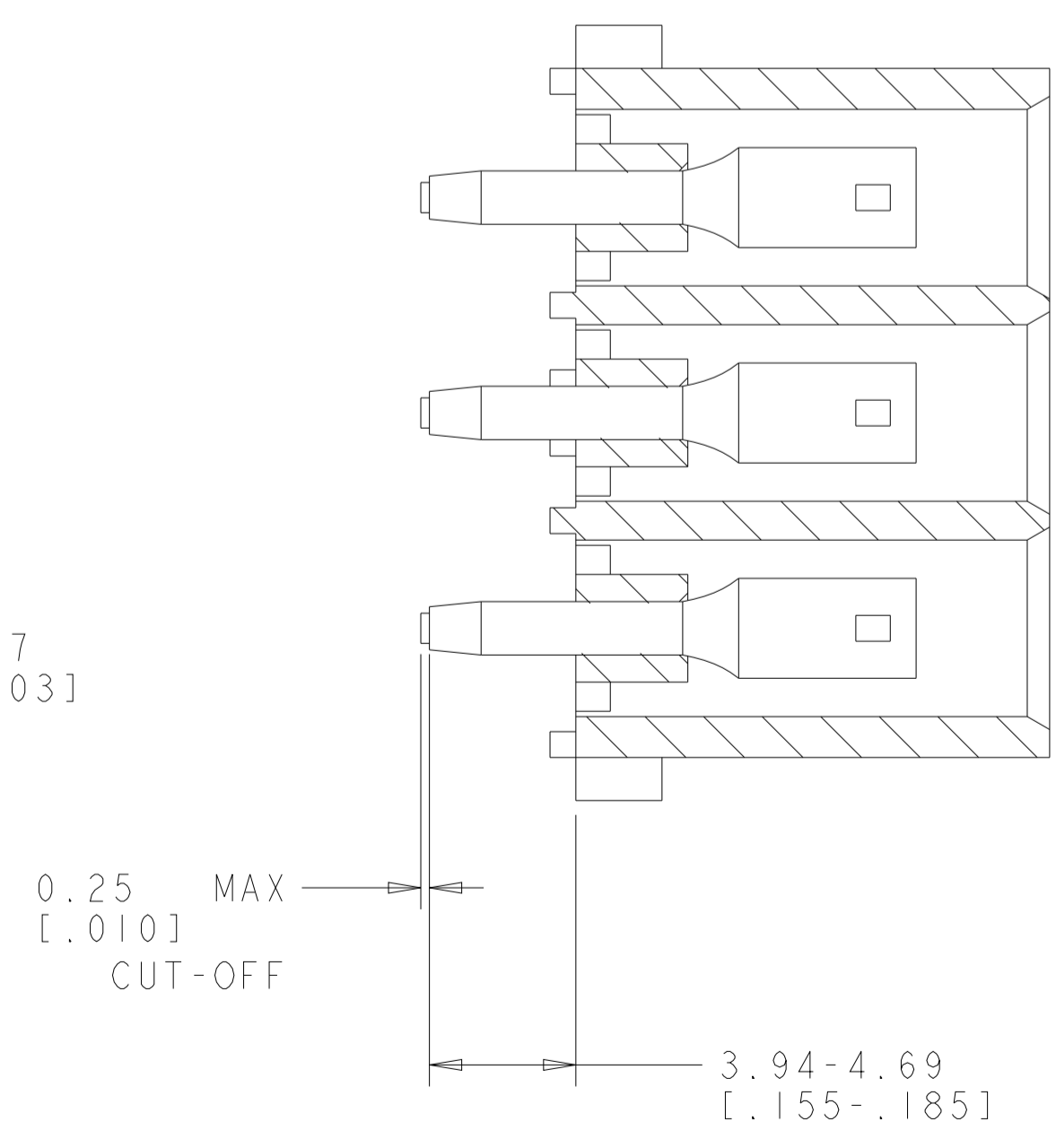
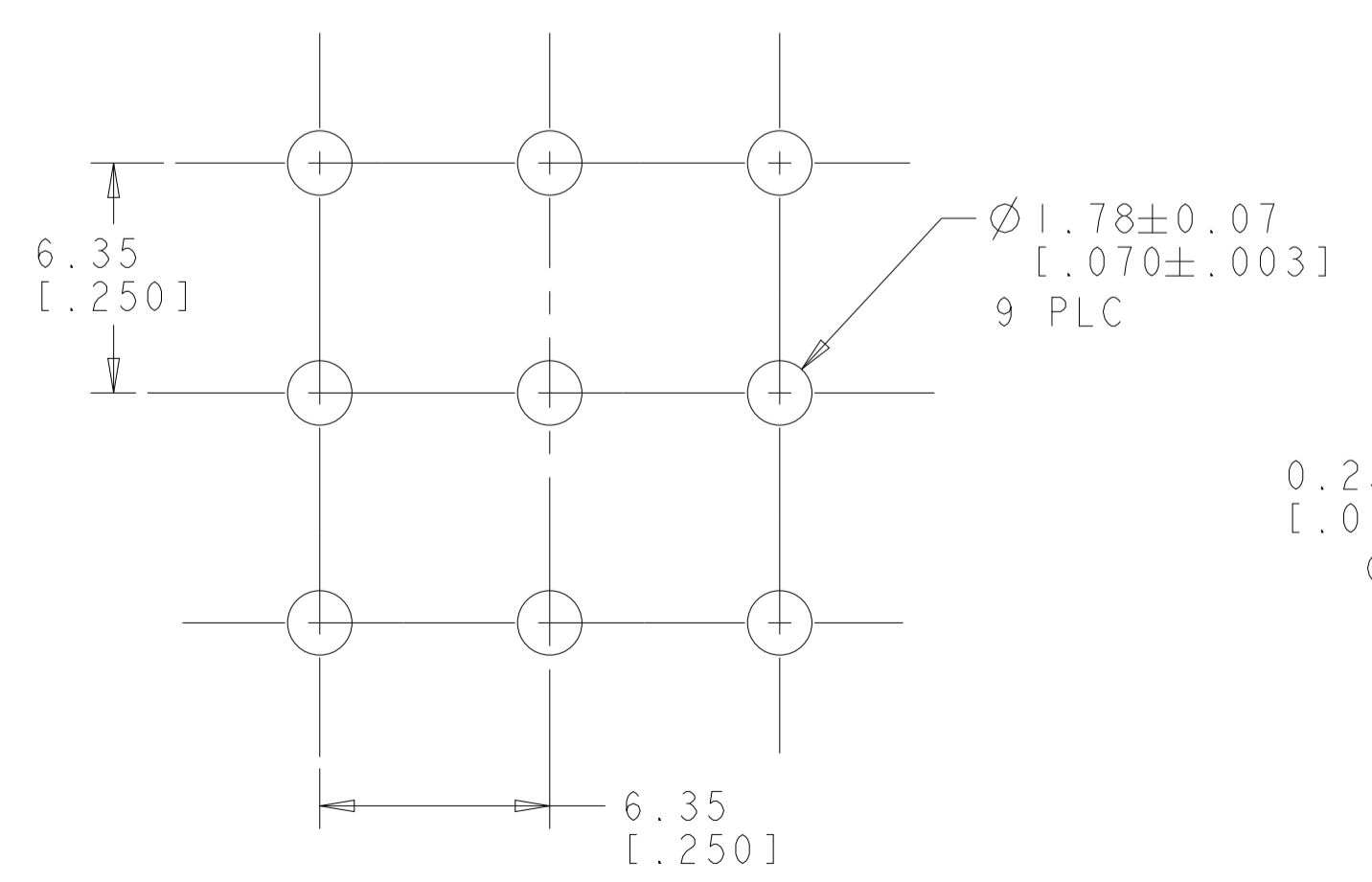


SECTION A-A



3 DIMENSIONAL MODEL
SCALE 4:1

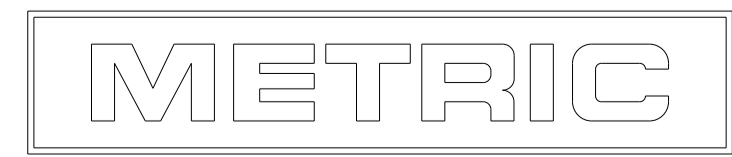
1586682-3 SHOWN



SECTION B-B

RECOMMENDED MOUNTING HOLE PATTERN FOR 1.57 [0.062] THICK P.C. BOARD HOLE THAT CORRESPONDS TO REMOVED CONTACT CAN BE OMITTED

7	PHOSPOR BRONZE, PRE-TIN	NYLON, UL94V-0, WHITE	1586682-7
3	PHOSPOR BRONZE, PRE-TIN	NYLON, UL94V-0, WHITE	1586682-3
SOCKET NO OMITTED	SOCKET CONTACT MATERIAL AND FINISH	HOUSING MATERIAL AND COLOR	PART NUMBER



DIMENSIONS: mm [INCHES] 		TOLERANCES UNLESS OTHERWISE SPECIFIED: 0 PLC ± 1 PLC ±0.131 (0.005) 2 PLC ± 3 PLC ± 4 PLC ± ANGLES ±40° 30' FINISH SEE TABLE		DWN: H. WHITAKER 03MAY2005 CHK: S. RIDGILL 03MAY2005 APVD: S. RIDGILL 03MAY2005 PRODUCT SPEC APPLICATION SPEC WEIGHT CUSTOMER DRAWING		Tyco Electronics Harrisburg, PA 17105-3608 NAME: SOCKET HEADER ASSEMBLY, 9 CIRCUIT, SELECTIVELY LOADED, UNIVERSAL MATE-N-LOK(TM) SIZE: A1 CAGE CODE: 00779 DRAWING NO: 1586682 SHEET 1 OF 1 REV A1	
-----------------------------	--	---	--	---	--	---	--