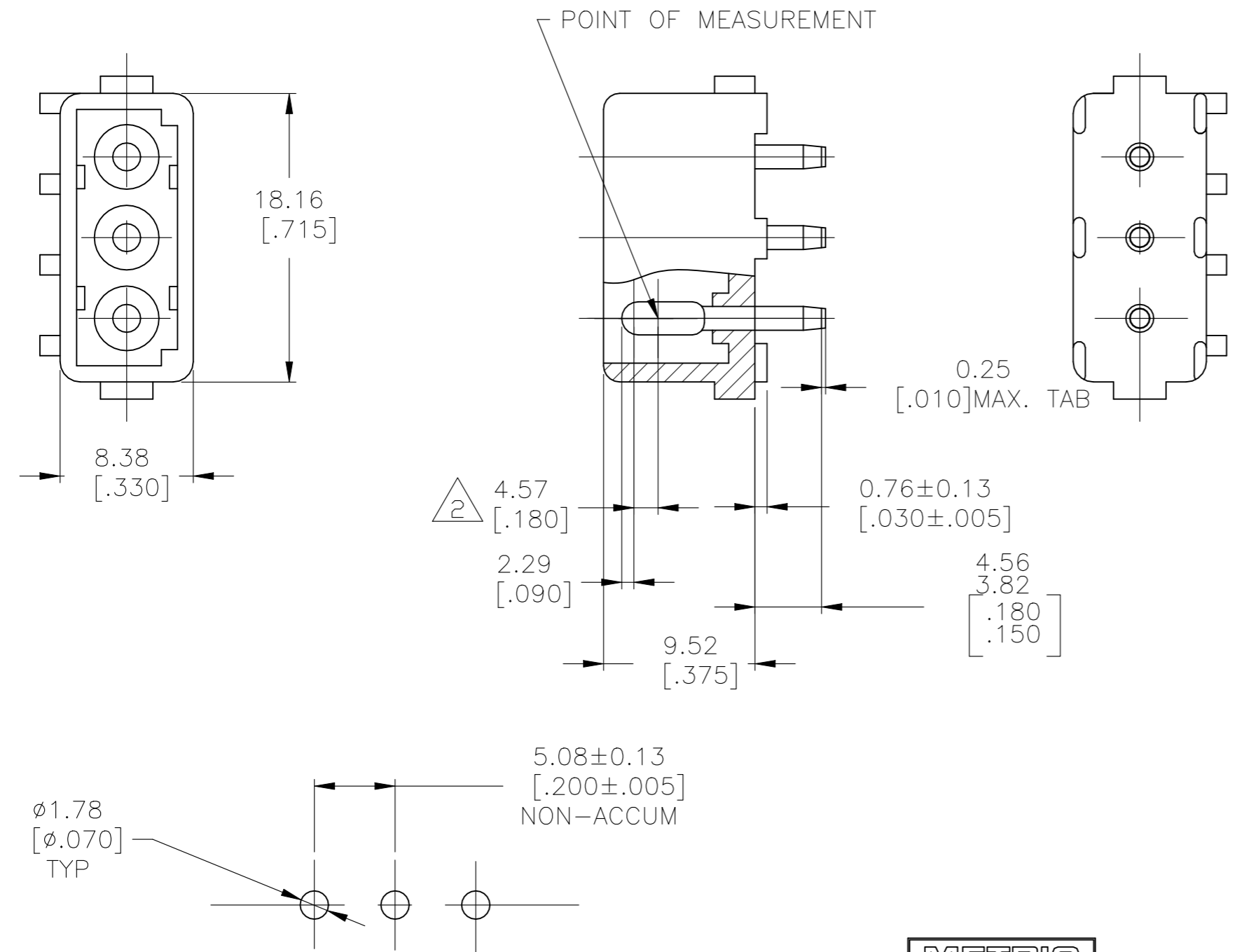


THIS DRAWING IS UNPUBLISHED. RELEASED FOR PUBLICATION
 © COPYRIGHT - BY TYCO ELECTRONICS CORPORATION. ALL RIGHTS RESERVED.

LOC	DIST	REVISIONS					
CM	00	P	LTR	DESCRIPTION	DATE	DWN	APVD
			A	REVISED PER ECR-21-117185	25OCT2021	PJ	VS



- PARTS MUST COMPLY WITH SOLDERABILITY SPEC. 109-11-3.
- CONTACT IS PLATED OVERALL WITH .000050 NICKEL, THEN .000030 GOLD OVER CONTACT LENGTH INDICATED AND MATTE TIN ON SOLDER TAIL END.
- DIMENSION SHOWN REPRESENT PRODUCT IN DRY CONDITION. ADDITIONAL 2% GROWTH DUE TO END USE LOCATION MOISTURE ABSORPTION MAY OCCUR AND SHOULD BE ACCOUNTED FOR.

RECOMMENDED LAYOUT FOR
 1.575 [0.062] THICK P.C. BOARD

METRIC

1586514-2	NYLON-NATURAL	COPPER ALLOY-GOLD
ASSEMBLY NO.	HSG, MATL& COLOR	PIN MATL & FINISH

THIS DRAWING IS A CONTROLLED DOCUMENT.		DWN	ARJUN	06OCT2005	 Tyco Electronics Corporation Harrisburg, PA 17105-3608												
DIMENSIONS: mm [INCHES]		CHK	D.COLEY	06OCT2005													
TOLERANCES UNLESS OTHERWISE SPECIFIED:		APVD	D.COLEY	06OCT2005													
<table border="0"> <tr> <td>0 PLC</td> <td>± -</td> </tr> <tr> <td>1 PLC</td> <td>± -</td> </tr> <tr> <td>2 PLC</td> <td>± -</td> </tr> <tr> <td>3 PLC</td> <td>± -</td> </tr> <tr> <td>4 PLC</td> <td>± -</td> </tr> <tr> <td>ANGLES</td> <td>± -</td> </tr> </table>		0 PLC	± -	1 PLC	± -	2 PLC	± -	3 PLC	± -	4 PLC	± -	ANGLES	± -	PRODUCT SPEC		NAME	
0 PLC	± -																
1 PLC	± -																
2 PLC	± -																
3 PLC	± -																
4 PLC	± -																
ANGLES	± -																
MATERIAL		APPLICATION SPEC		3 CIRCUIT COMMERCIAL MATE-N-LOK(TM) HEADER													
SEE TABLE		FINISH		SEE TABLE													
MATERIAL		WEIGHT		SIZE													
SEE TABLE		-		A3 00779													
		CUSTOMER DRAWING		DRAWING NO													
				C-1586514													
		SCALE		RESTRICTED TO													
		3:1		-													
		SHEET		REV													
		1 OF 1		A													