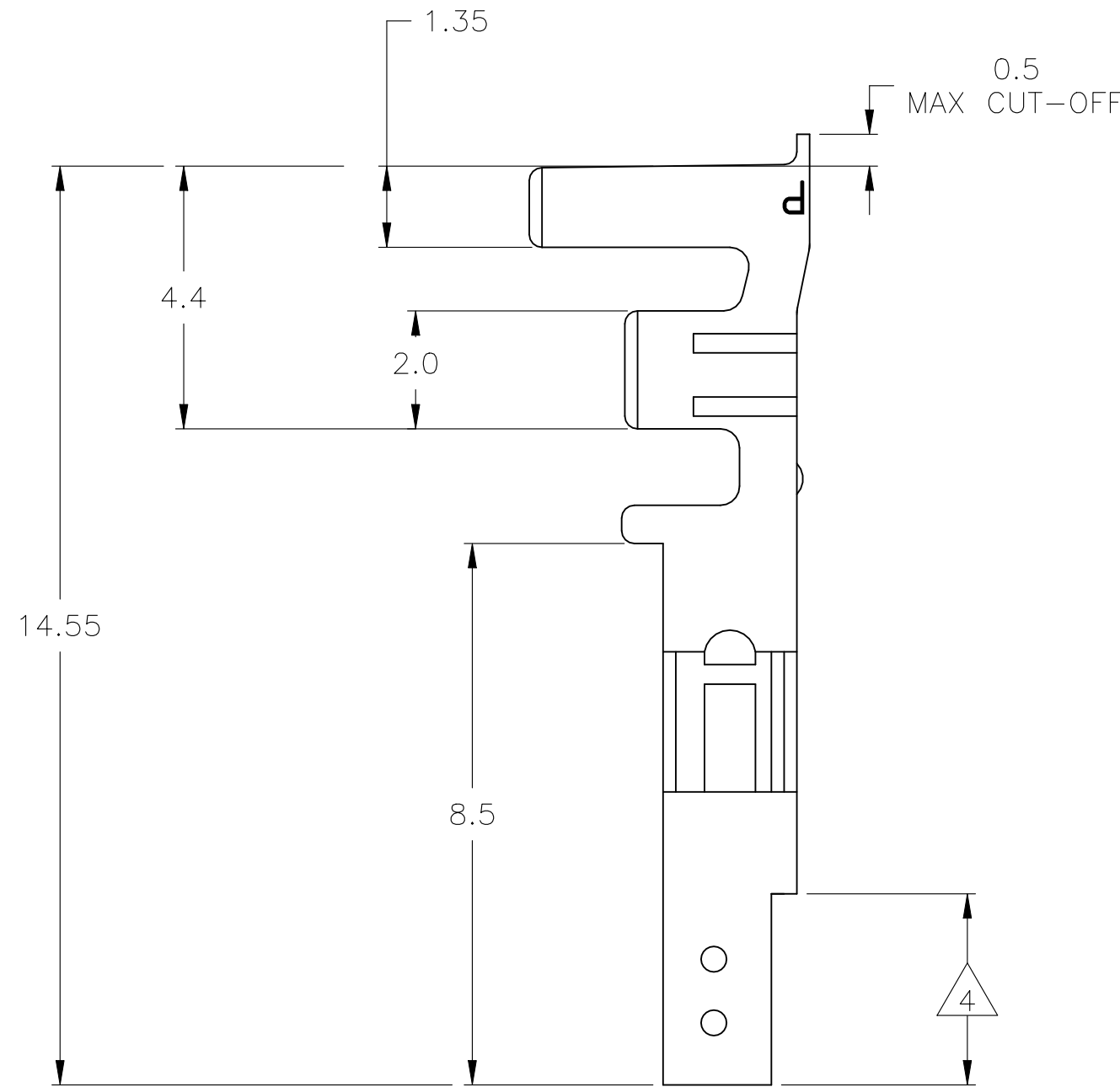
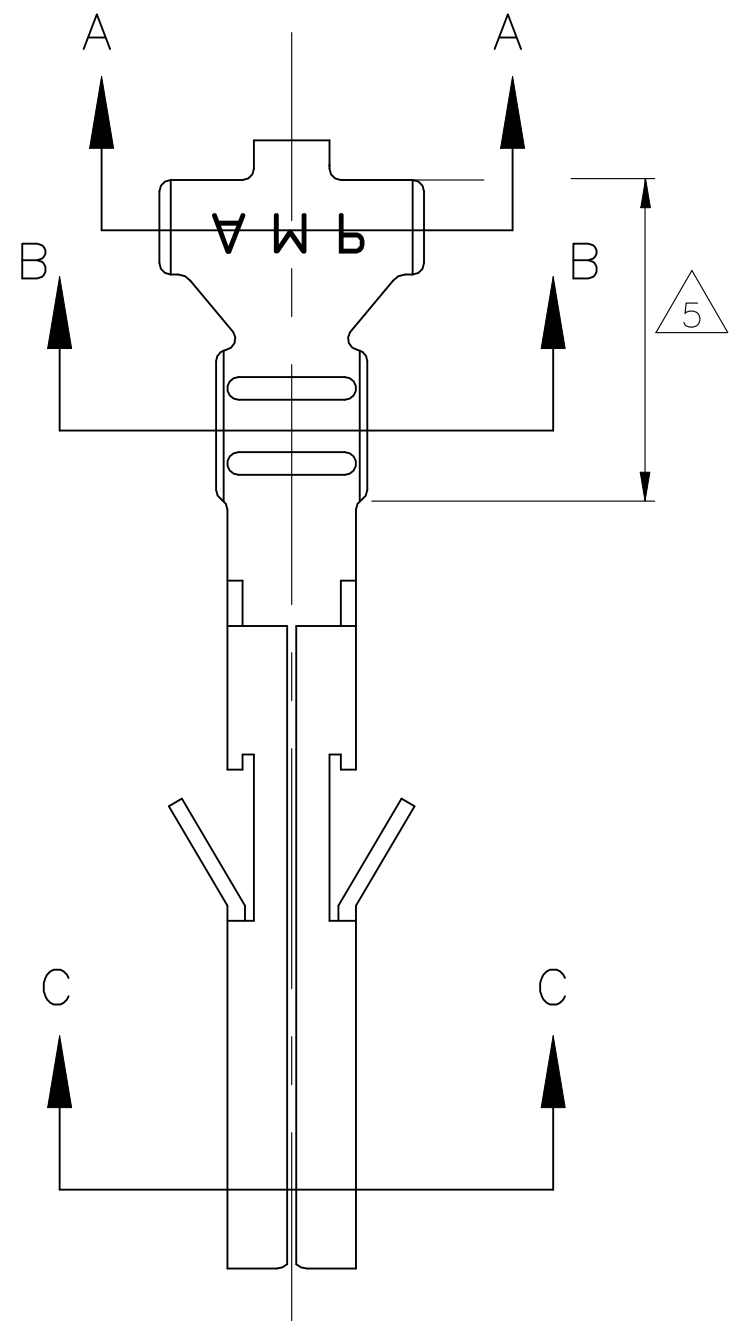
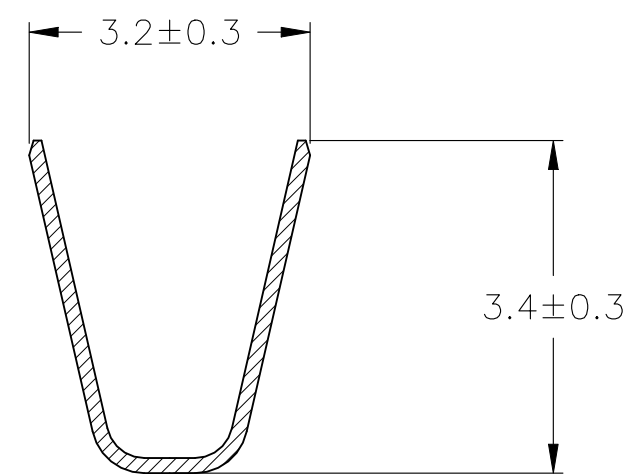


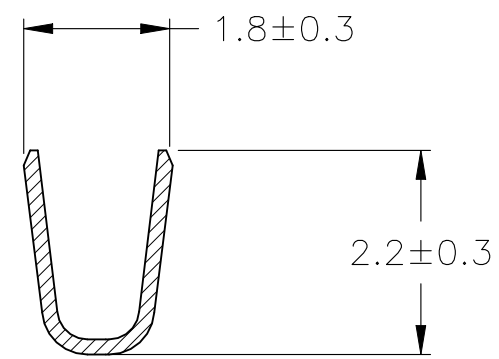
REVISIONS					
P	LTR	DESCRIPTION	DATE	DWN	APVD
A2		REVISED PER ECR-23-173068	06DEC2023	P.C	D.Z



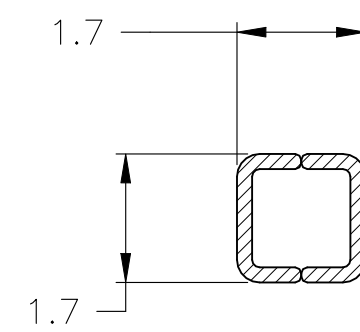
- 1 WIRE RANGE: 0.13-0.32mm² (22-26 AWG).
- 2 INSULATION RANGE: 1.20-1.75 DIA.
- 3 FINISH: 1.27µm MIN NICKEL ALL OVER
- 4 FINISH: 0.76µm MIN GOLD ON INNER SURFACE, PERMITTED ON OUTER SURFACE.
- 5 FINISH: 2.54µm MIN TIN ON ALL SURFACES IN THIS AREA.
- 6 FINISH: 2.54µm MINIMUM PRE-TIN OVERALL



SECTION A-A



SECTION B-B



SECTION C-C

GOLD	3 4 5	PHOS. BRZ.	1586317-4
PRE-TIN	6	PHOS. BRZ.	1586317-3
GOLD	3 4 5	BRASS	1586317-2
PRE-TIN	6	BRASS	1586317-1
FINISH:		MATERIAL:	PART NO.

THIS DRAWING IS A CONTROLLED DOCUMENT.		DWN S. HOOVER 14-OCT-2003	TE Connectivity	
DIMENSIONS: mm [INCHES]		CHK D. COLEY 14-OCT-2003		
TOLERANCES UNLESS OTHERWISE SPECIFIED:		APVD D. COLEY 14-OCT-2003	NAME D. COLEY	
0 PLC ±		PRODUCT SPEC 108-2112	TERMINAL LOOSE PIECE, SOCKET VAL-U-LOK(TM)	
1 PLC ± 0.4		APPLICATION SPEC 114-13172	SIZE A2	CAGE CODE 00779
2 PLC ±		WEIGHT -	DRAWING NO C=1586317	RESTRICTED TO -
3 PLC ±		MATERIAL	SCALE 10:1	SHEET 1 OF 1
4 PLC ±		FINISH	REV A2	
ANGLES ±		CUSTOMER DRAWING		