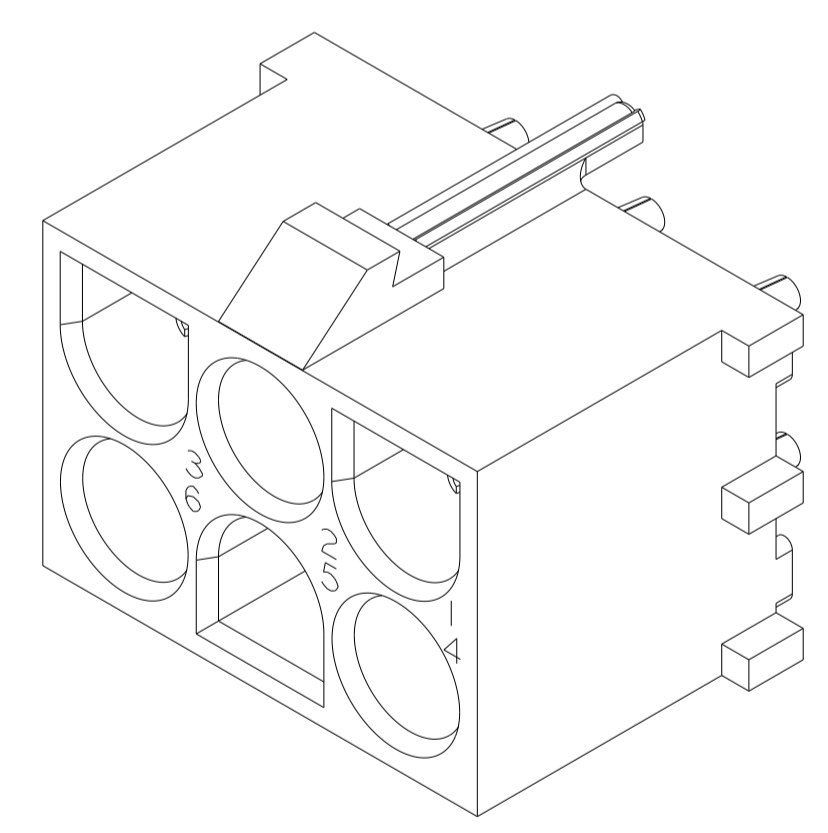
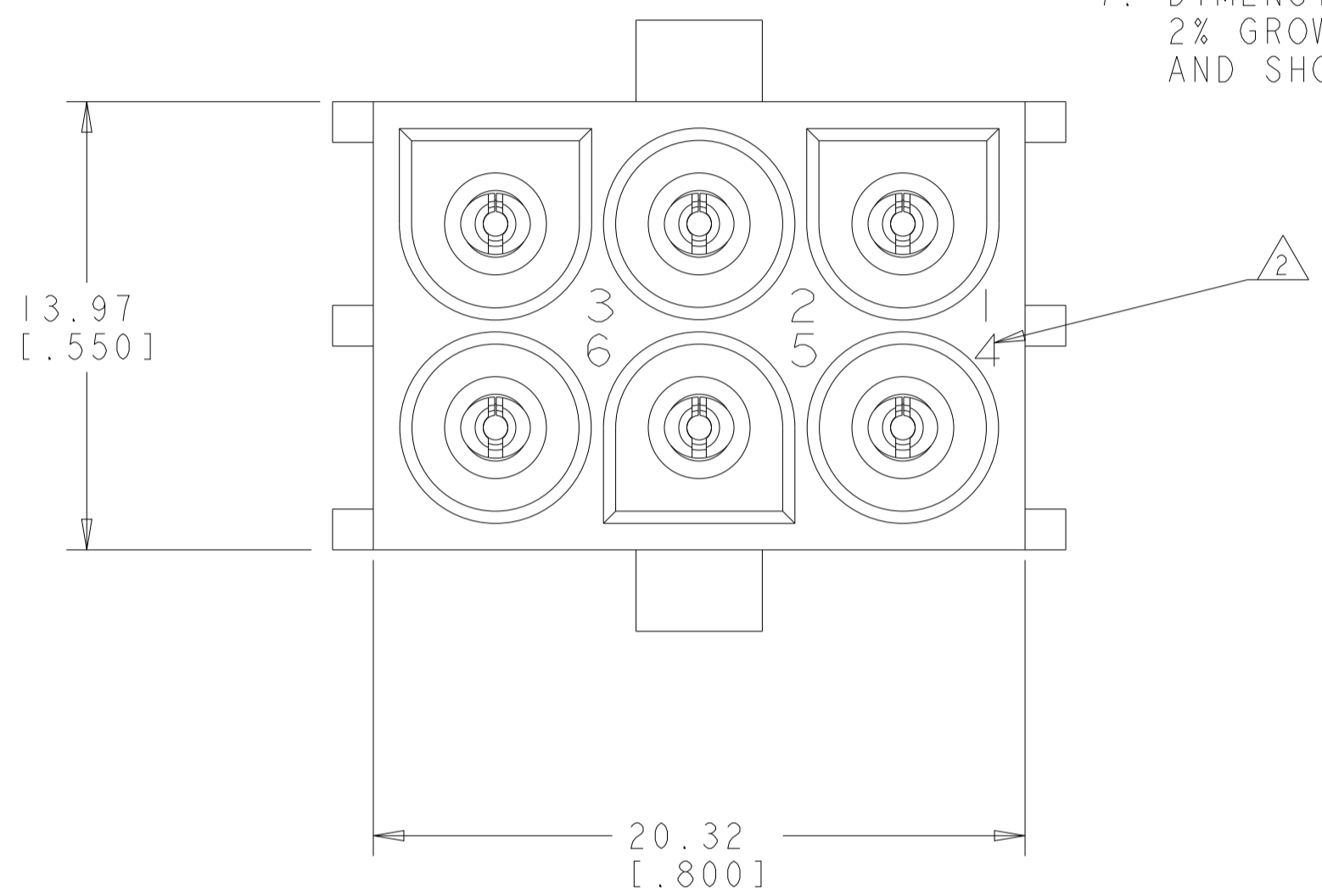
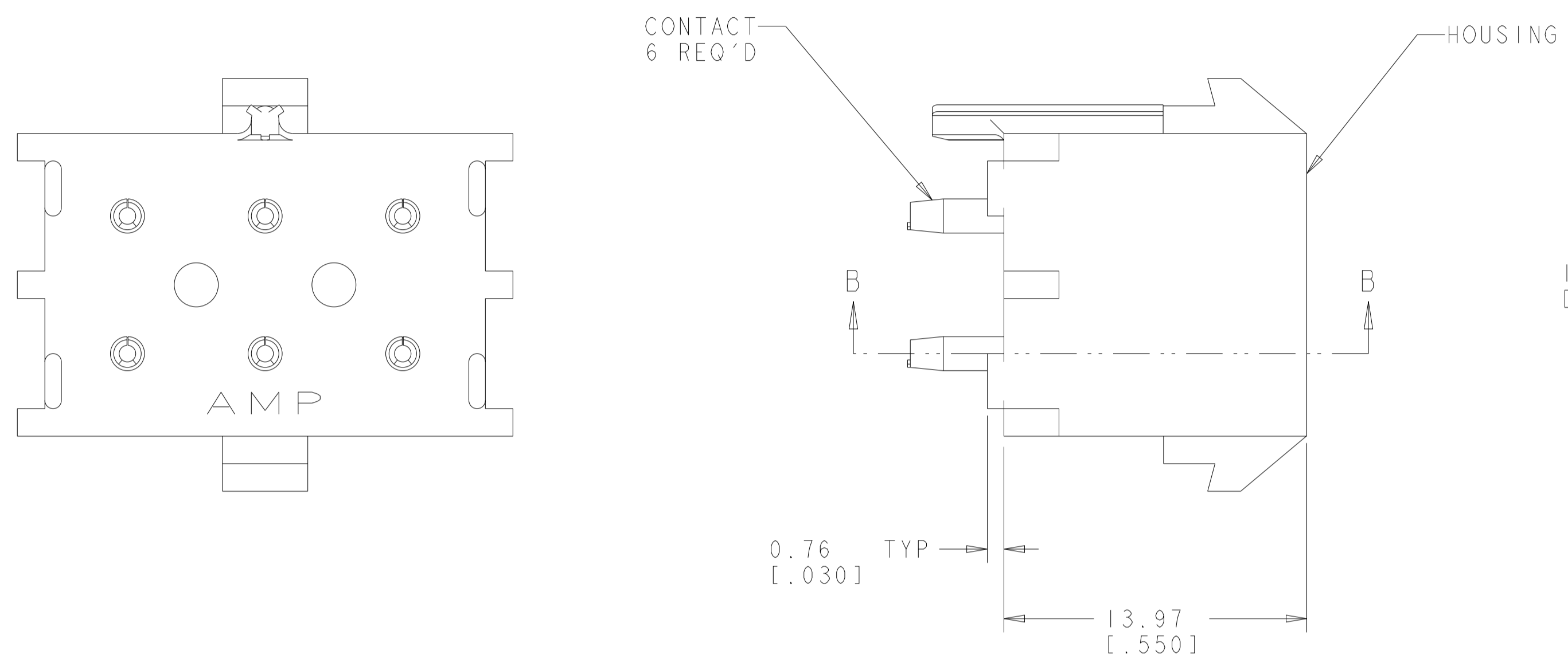
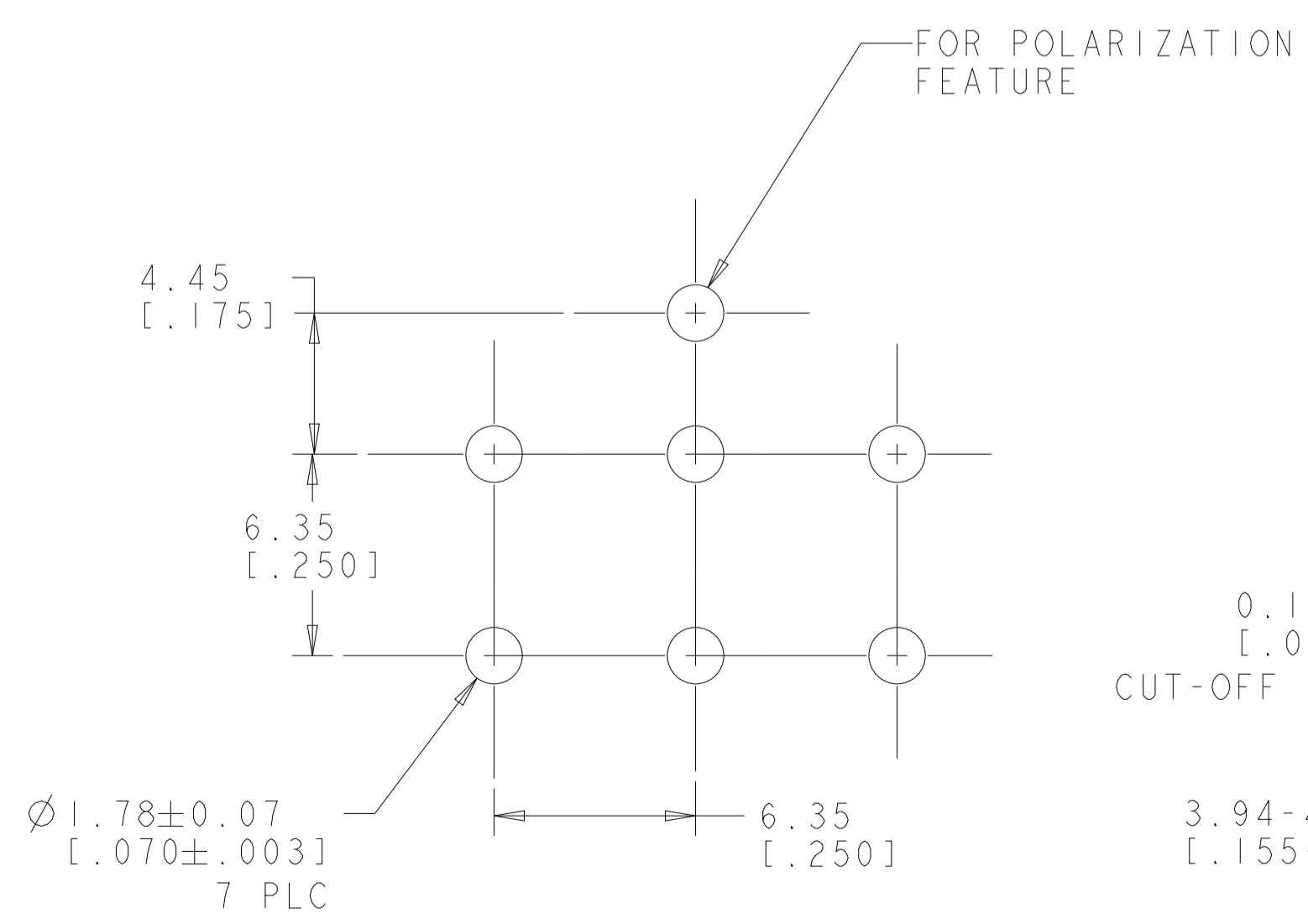


LOC		DIST		REVISIONS			
CM	00	P	LTN	DESCRIPTION	DATE	DWN	APVD
		A1		REVISED PER ECR-12-011660	24JAN2013	KH	TM
		A2		REVISED PER ECR-21-118133	22OCT2021	SS	VS

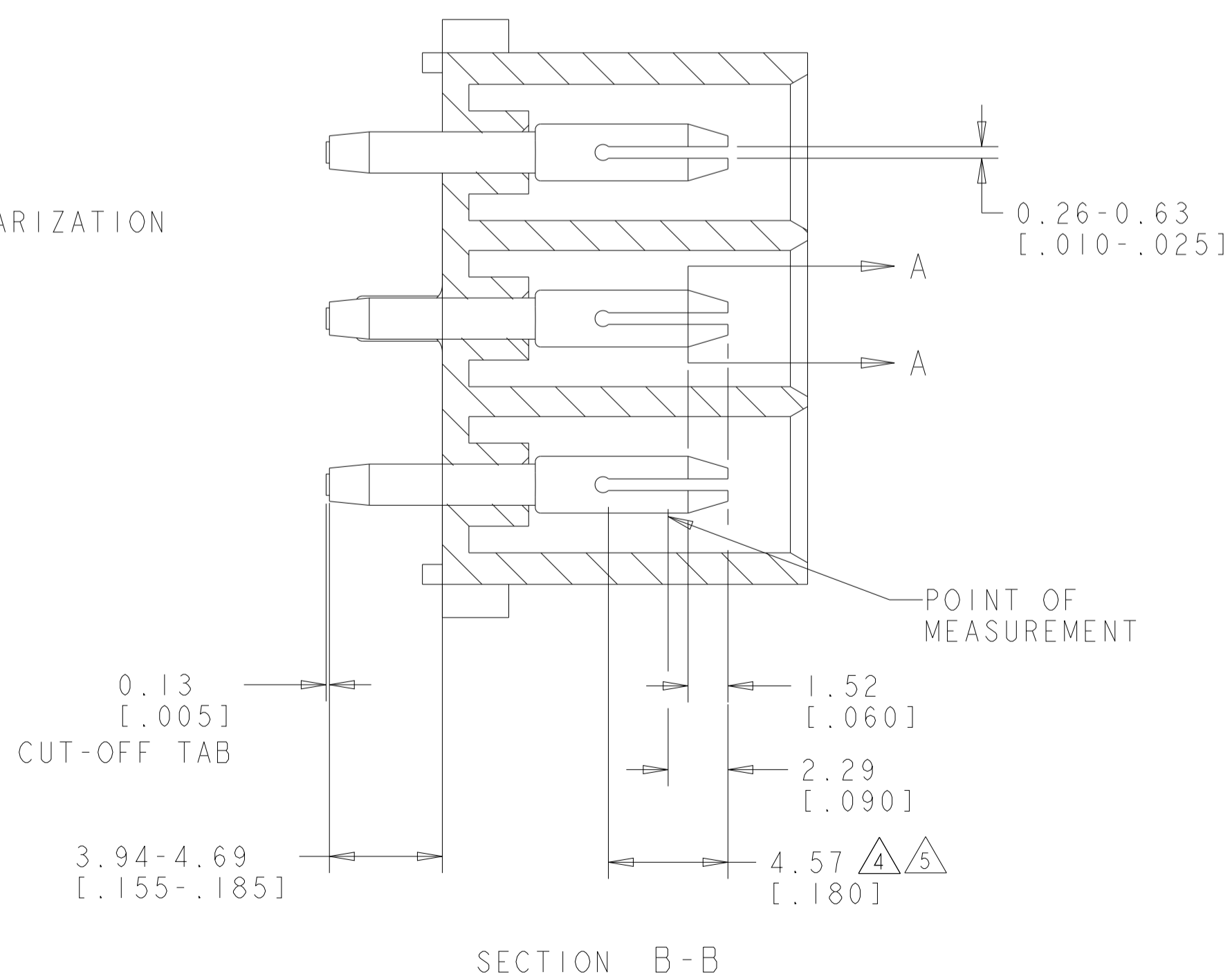
- PARTS COMPLY TO AMP SOLDERABILITY SPECIFICATION 109-11-3.
- CIRCUIT IDENTIFICATION CHARACTERS ARE ADJACENT TO THE INDICATED CAVITIES, BUT LOCATION AND ORIENTATION MAY DIFFER FROM PRINT.
- DIMENSIONS IN BRACKETS ARE IN INCHES.
- CONTACT IS PLATED OVERALL WITH 0.00127 [0.00050] NICKEL, THEN 0.00076 [0.00030] GOLD OVER CONTACT LENGTH INDICATED AND MATTE TIN LEAD ON SOLDER TAIL END.
- CONTACT IS PLATED OVERALL WITH 0.00127 [0.00050] NICKEL, THEN 0.00076 [0.00030] GOLD OVER CONTACT LENGTH INDICATED AND MATTE TIN ON SOLDER TAIL END.
- SUPERSEDED BY 1586090-3
- DIMENSIONS SHOWN REPRESENT PRODUCT IN DRY CONDITION. ADDITIONAL 2% GROWTH DUE TO END USE LOCATION MOISTURE ABSORPTION MAY OCCUR AND SHOULD BE ACCOUNTED FOR.



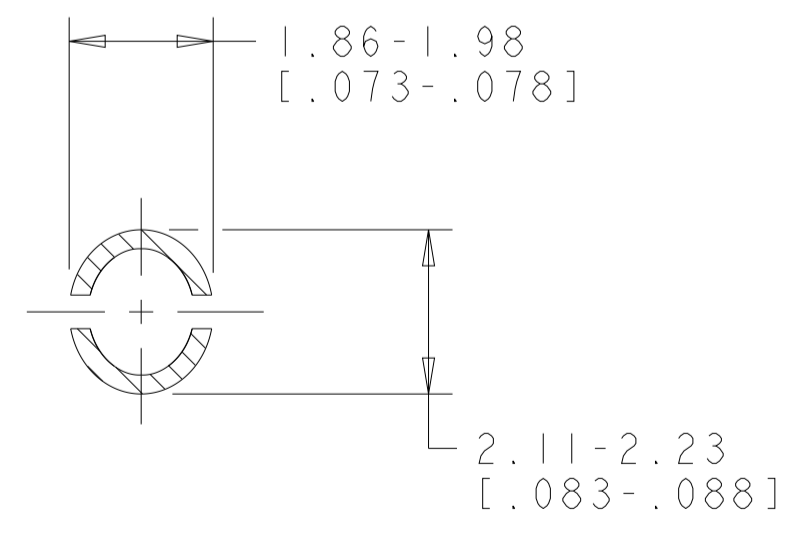
3 DIMENSIONAL MODEL
SCALE 4:1



RECOMMENDED MOUNTING HOLE PATTERN
FOR 1.57 [.062] THICK P.C. BOARD

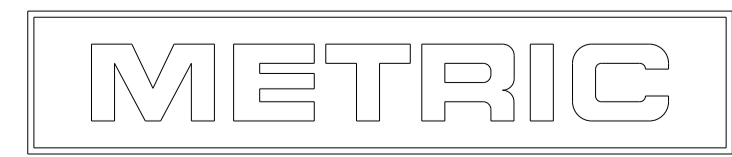


SECTION B-B



SECTION A-A
SCALE 10:1

PHOSPOR BRONZE, GOLD ⁵	NYLON, UL94V-2, NATURAL	1586090-3
PHOSPOR BRONZE, GOLD ⁴	NYLON, UL94V-2, NATURAL	1586090-2
PHOSPOR BRONZE, PRE-TIN	NYLON, UL94V-2, NATURAL	1586090-1
PIN CONTACT MATERIAL AND FINISH	HOUSING MATERIAL AND COLOR	PART NUMBER



THIS DRAWING IS A CONTROLLED DOCUMENT.		DWN K. WHITAKER 24-MAR-2003	TE Connectivity	
DIMENSIONS: mm [INCHES]		CHK S. RIDGILL 24-MAR-2003	NAME PIN HEADER ASSEMBLY, POLARIZED, 6 CIRCUIT, UNIVERSAL MATE-N-LOK™	
TOLERANCES UNLESS OTHERWISE SPECIFIED:		APVD S. RIDGILL 24-MAR-2003	RESTRICTED TO	
0 PLC ±	1 PLC ±0.131(.005)	PRODUCT SPEC	SIZE A1	
2 PLC ±	3 PLC ±	APPLICATION SPEC	CAGE CODE 100779	
4 PLC ±	ANGLES 40°/30°	WEIGHT	DRAWING NO. 1586090	
MATERIAL SEE TABLE		FINISH SEE TABLE	SCALE 5:1	
CUSTOMER DRAWING		SHEET 1 OF 1 REV A2		