

THIS DRAWING IS UNPUBLISHED.  
DIFFUSION RESTREINTE

RELEASED FOR PUBLICATION  
LIBRE A LA DIFFUSION

20

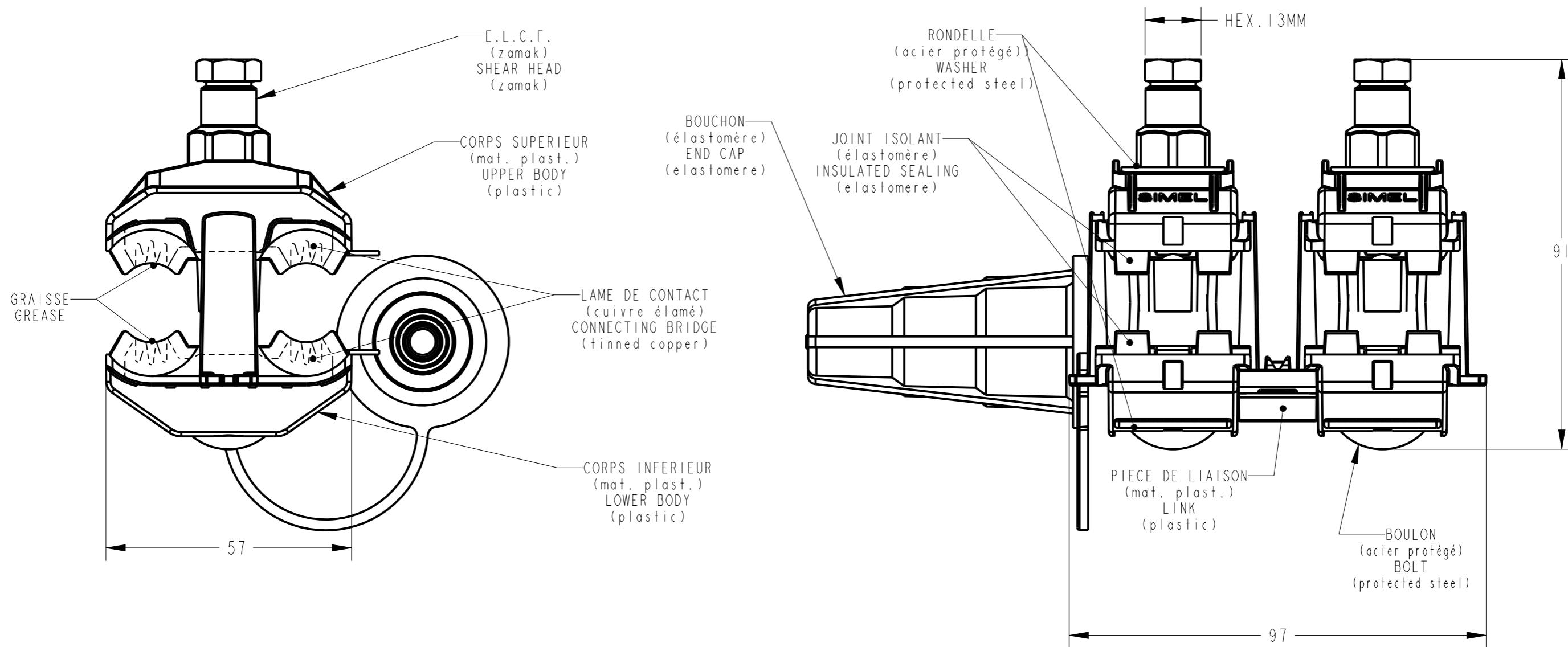
© COPYRIGHT 20 BY -

ALL RIGHTS RESERVED.  
TOUS DROITS RESERVES

REVISIONS

P	LTR REV	DESCRIPTION MODIFICATIONS	DATE	DWN DESS.	APVD APP.
	B	ECR-14-014677	01/10/14	JB	AG

MARQUAGE: LOGO, REFERENCE, CAPACITES, LOT  
MARKING: LOGO, REFERENCE, CAPACITIES, BATCH



TOLERANCES UNLESS  
OTHERWISE SPECIFIED  
TOLERANCES NON SPECIFIEES: -

REFERENCE	PN	CAPACITES PRINCIPAL CAPACITIES MAIN	CAPACITES DERIVE CAPACITIES TAP	MASSE WEIGHT	COUPLE DE RUPTURE BREAKING SHEAR HEAD TORQUE
P4X150D	1574182-1	50 à 150mm <sup>2</sup> (185) 50 to 150mm <sup>2</sup> (185)	50 à 150mm <sup>2</sup> (185) 50 to 150mm <sup>2</sup> (185)	345g	18Nm
P4X185D	1574182-3	50 à 185mm <sup>2</sup> 50 to 185mm <sup>2</sup>	50 à 185mm <sup>2</sup> 50 to 185mm <sup>2</sup>	345g	18Nm

THIS DRAWING IS A CONTROLLED DOCUMENT.  
CE PLAN EST UN DOCUMENT CONTROLE PAR TYCO ELECTRONICS CORPORATION  
IL EST SUSCEPTIBLE D'ETRE REVISE. CONTACTER LE SERVICE  
TECHNIQUE POUR OBTENIR LA DERNIERE REVISION.

DIMENSIONS: mm		TOLERANCES UNLESS OTHERWISE SPECIFIED: TOLERANCES NON SPECIFIEES (SUIV NO DE DECIMALES): 0 PLC/DEC: ±0 1 PLC/DEC: ±0 2 PLC/DEC: ±0 3 PLC/DEC: ±0 4 PLC/DEC: ±0 ANGLES ±-
MATERIE MATERIAL		
FINISH FINITION		

DWN/DESSINE T. ROUSSEAU	22MAR2002
CHK/VERIFIE E DEREY	
APVD/APPROUVE A GUICHARD	
PRODUCT SPEC SPEC. PRODUIT	
APPLICATION SPEC SPEC. APPLICATION	
WEIGHT MASSE APPROX.	
CUSTOMER DRAWING /PLAN CLIENT	

TE Connectivity		NAME TITRE	
		P4X150D P4X185D	
SIZE FORMAT	CAGE CODE	DRAWING NO No PLAN	RESTRICTED TO RESERVE A
A3	-	1574182	-
UNIQUEMENT POUR REFERENCE		SCALE ECHELLE	SHEET FEUILLE
		1:1	OF DE
			REV B