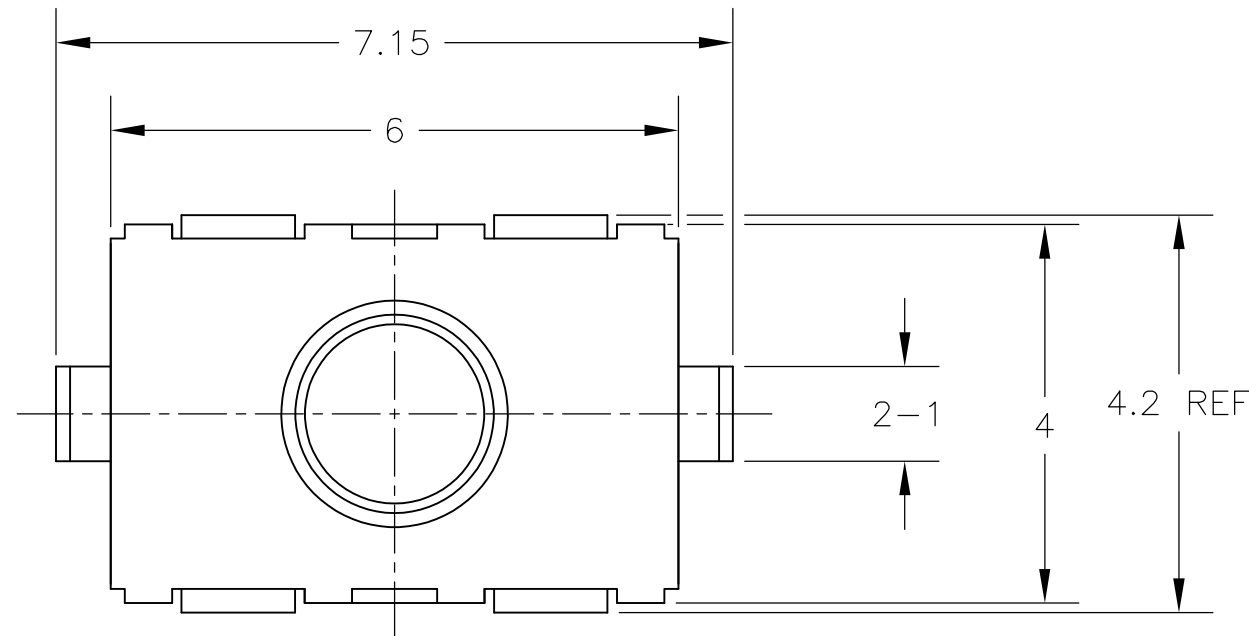
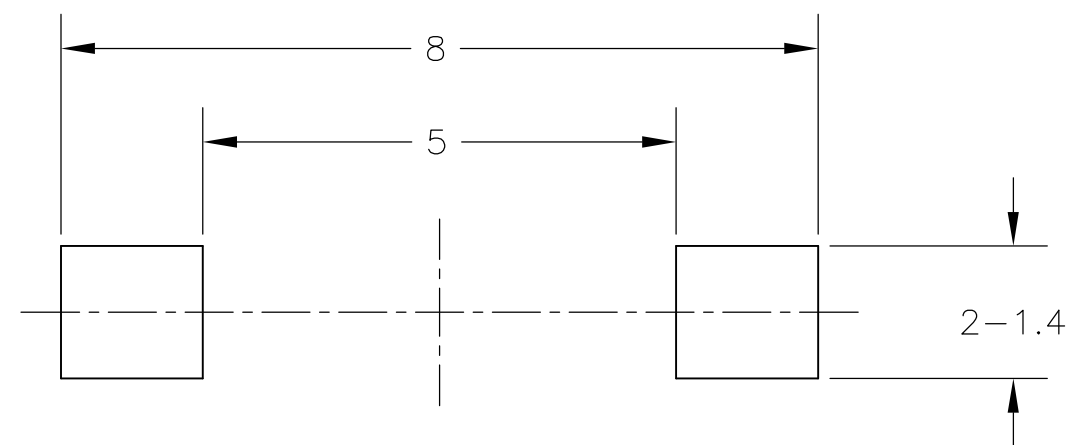
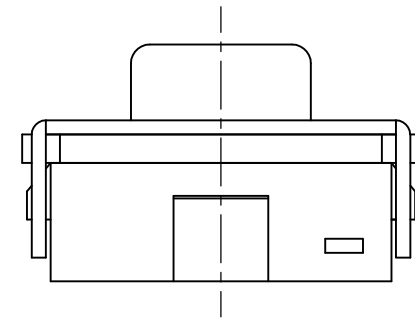
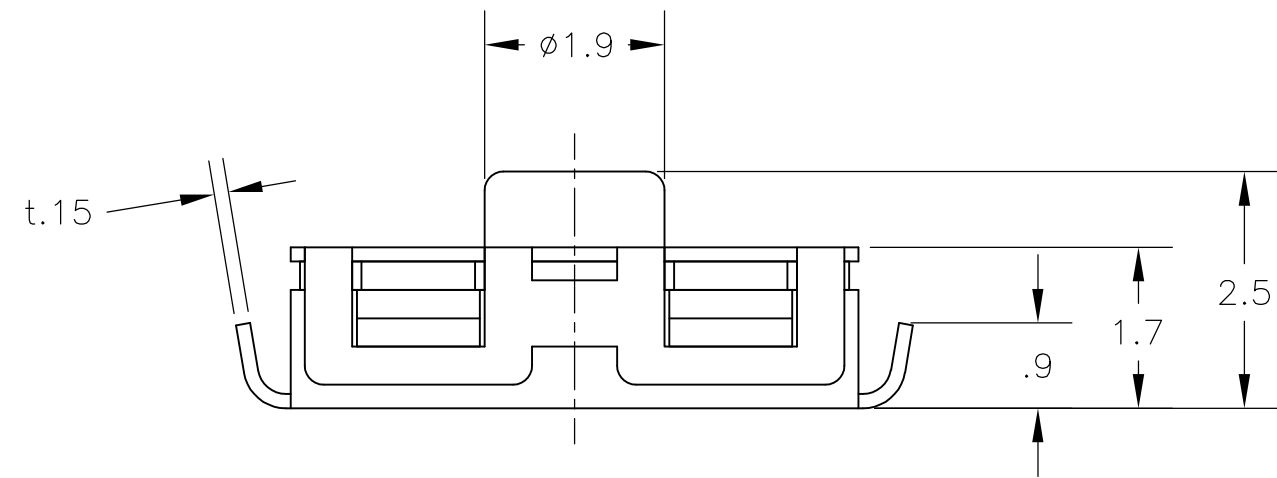


THIS DRAWING IS UNPUBLISHED. RELEASED FOR PUBLICATION
 © COPYRIGHT BY TYCO ELECTRONICS CORPORATION. ALL RIGHTS RESERVED.

LOC		DIST		REVISIONS			
P	LTR	DESCRIPTION	DATE	DWN	APVD		
	A1	ECO-07-025800	31OCT07	MB	MS		
	A2	REVISED PER ECO-09-024606	27OCT09	KK	AEG		



CIRCUIT DIAGRAM



P.C.B SOLDER LAND DIMENSION

SPECIFICATIONS:

MATERIALS:

CASE: NYLON 6T UL94V-0, BLACK.
 ACTUATOR: SILICON RUBBER, FINISH-SEE P/N TABLE
 MOVING CONTACT: STAINLESS STEEL, SILVER FINISH.
 FIXED CONTACT/TERMINAL: COPPER ALLOY, SILVER/NICKEL FINISH.

ELECTRICAL:

CONTACT RATING: 50MA @ 32VDC, 50MA@32VDC (MAX), 20MV @ 1MV DC (MIN), PER EIA-448, METHOD 6.
 INITIAL CONTACT RESISTANCE: 100MILLIOHMS MAX, PER EIA-364-23B, EACH POSITION.
 INSULATION RESISTANCE: 100 MEGOHM MIN. PER EIA-364-21C EACH POSITION.
 DIELECTRIC STRENGTH: 250V AC FOR 1 MINUTE, PER EIA-364-20B, CONDITION 1, EACH POSITION.

MECHANICAL:

ACTUATION FORCE: SEE P/N TABLE.
 ACTUATION TRAVEL: .5±.15
 LIFE EXPECTANCY: 100,000 CYCLES MIN (2 CYCLES PER SECOND AND 150% ACTUATION FORCE), PER EIA-448 METHODS 8 AND 9.
 VIBRATION: PER EIA-364-28D, CONDITION VII, LEVEL E.
 MECHANICAL SHOCK: PER EIA-364-27C, CONDITION A.

ENVIRONMENTAL:

OPERATING TEMPERATURE: -40°C TO +85°C, PER EIA-448, METHOD 10.
 STORAGE TEMPERATURE: -40°C TO +100°C.
 HUMIDITY AND TEMPERATURE CYCLING: PER EIA-364-31B, METHOD III.
 THERMAL SHOCK: PER EIA-364-32C, -40°C TO +100°C.
 SOLDERABILITY: PER EIA-364-52, CLASS 2, CATEGORY 1, TEMP, 260°C MAX, TIME 2.5 SECONDS MAX, 95% MINIMUM COVERAGE.
 RESISTANCE TO SOLDER HEAT: PER EIA-364-56A, PROCEDURE 4 AND 5, LEVEL 3.

PACKAGING: TAPE WIDTH-12MM, PITCH-8MM AND QUANTITY PER REEL-2500.

NOTE:

1. ALL MATERIALS AND FINISHES SHALL COMPLY WITH EU DIRECTIVE 2002/95/EC OF 27JAN2003(ROHS).

2. OBSOLETE PARTS: OBSOLETE CIS STREAMLINING PER D.RENAUD/D.SINISI

2	OBSOLETE	RED	260±50gF	1571528-2
		BLACK	160±50gF	1571528-1
	ACTUATOR COLOR	OPERATING FORCE	TE P/N	

THIS DRAWING IS A CONTROLLED DOCUMENT.		DWN	23FEB05	Tyco Electronics Corporation	
DIMENSIONS: mm		M. BINNER	CHK	Tyco Electronics Corporation Harrisburg, PA 17105-3608	
TOLERANCES UNLESS OTHERWISE SPECIFIED:		M. SARVER	APVD	NAME	
0 PLC ± -	1 PLC ± 0.2	M. SARVER	PRODUCT SPEC	4X6 mm TACT SWITCH, J-LEAD	
2 PLC ± 0.20	3 PLC ± -		APPLICATION SPEC	SIZE	CAGE CODE
4 PLC ± -	ANGLES ± -			A2	00779
MATERIAL SEE SPECIFICATIONS	FINISH SEE SPECIFICATIONS	WEIGHT		DRAWING NO	
				C=1571528	
CUSTOMER DRAWING			SCALE	SHEET	REV
			1:2	1 OF 1	A2