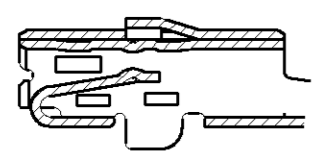
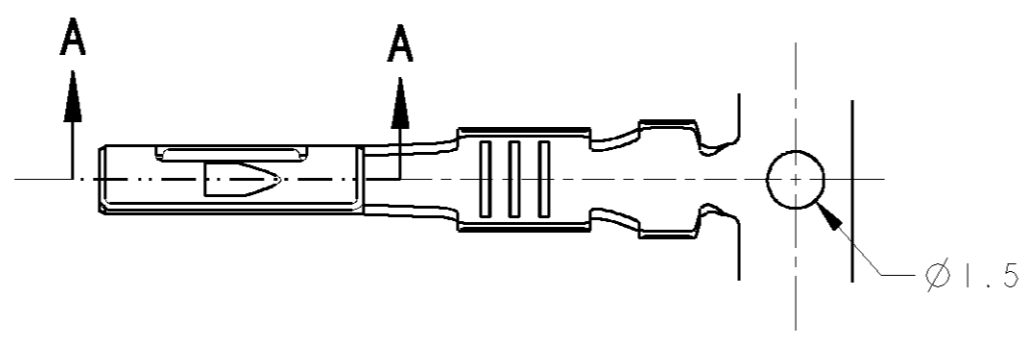


THIS DRAWING IS UNPUBLISHED. RELEASED FOR PUBLICATION 2001.12.25  
 © COPYRIGHT 2001.12.25 BY TYCO ELECTRONICS CORPORATION. ALL RIGHTS RESERVED.

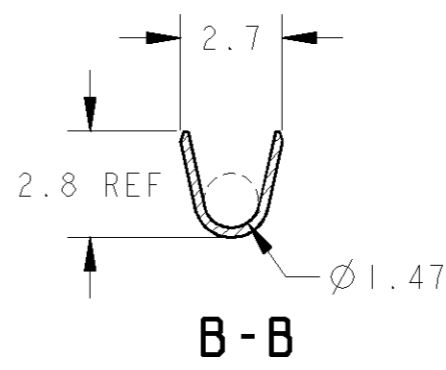
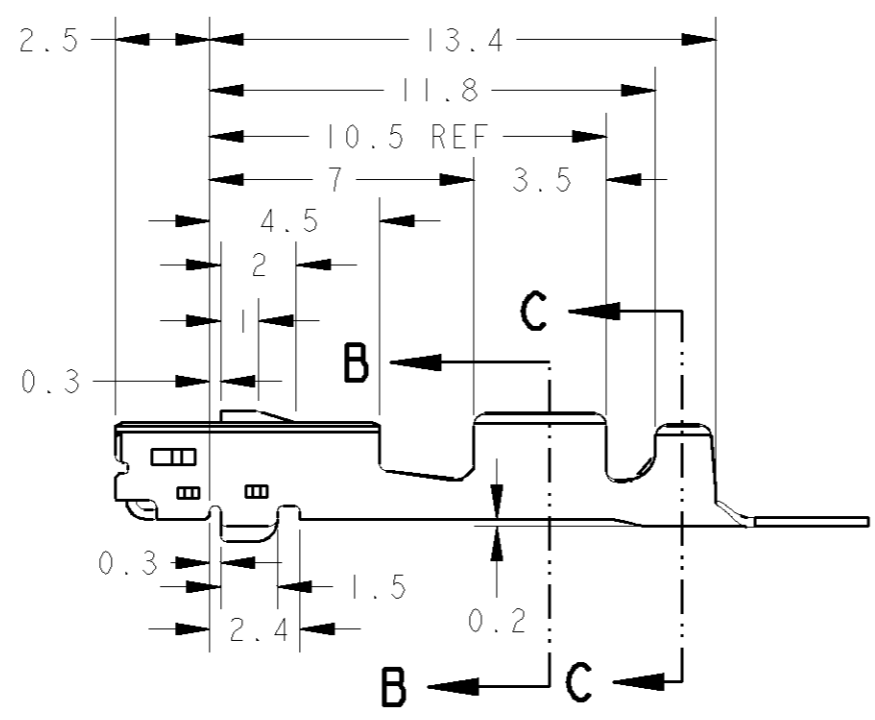
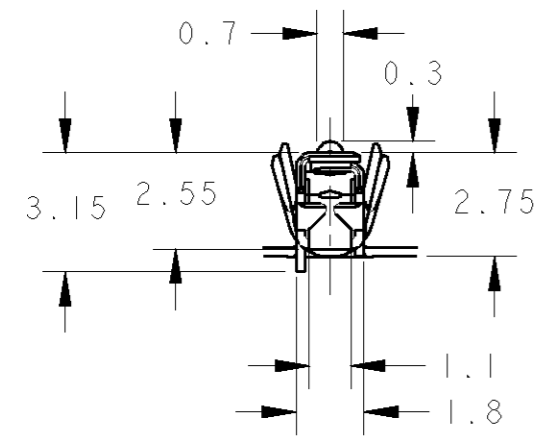
LOC	DIST	REVISIONS						
		P	LTR	DESCRIPTION	ECN	DATE	DWN	APVD
J			0	RELEASED	FJ00-2062-02	02OCT02	N.Y	N.S
			A	REVISED	ECR-10-005857	13MAY10	SF	KB



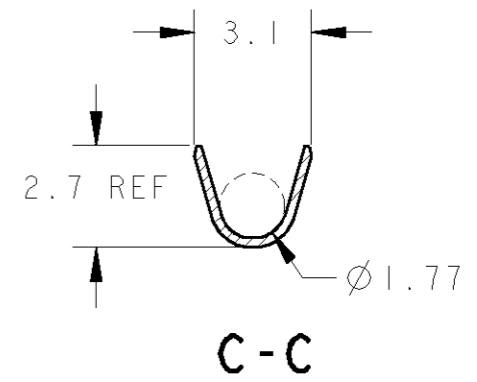
A-A



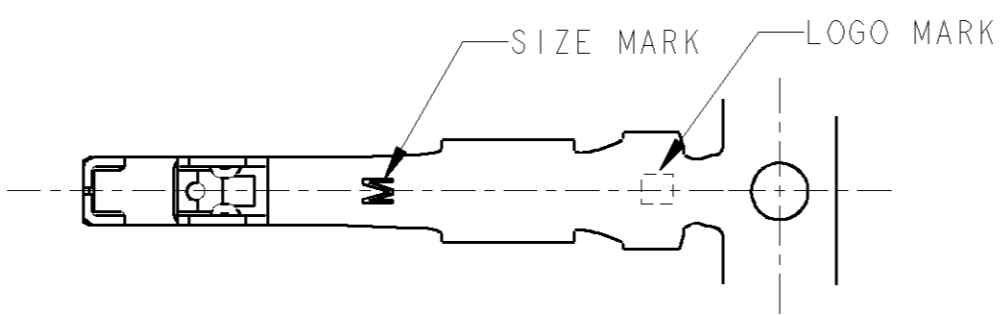
- 1; AS SHOWN  
 - 1; 本図



B-B



C-C



1. APPLICABLE WIRE RANGE;  
 AVSS,CAVS 0.85~1.25mm<sup>2</sup>  
 AVS 0.5mm<sup>2</sup>, CAVUS 1.25mm<sup>2</sup>  
 BUT, AN APPLIED CONNECTOR OFTEN MAKE  
 THE APPLICABLE WIRE RANGE NARROW.
2. APPLICATION SPECIFICATION; 114-5217

1. 適用電線;  
 AVSS,CAVS 0.85~1.25mm<sup>2</sup>  
 AVS 0.5mm<sup>2</sup>, CAVUS 1.25mm<sup>2</sup>  
 但し 使用するコネクタによって適用電線が制限される場合がある。
2. 取付適用規格; 114-5217

<small>THIS DRAWING IS A CONTROLLED DOCUMENT FOR TYCO ELECTRONICS CORPORATION          IT IS SUBJECT TO CHANGE AND THE CONTROLLING ENGINEERING ORGANIZATION          SHOULD BE CONTACTED FOR THE LATEST REVISION.</small>		DWN N.YASUDA 02OCT02 CHK N.SAI 02OCT02 APVD N.SAI 02OCT02		Tyco Electronics JAPAN G.K. Kawasaki, Japan	
DIMENSIONS: 単位: ㎜ mm		TOLERANCES UNLESS OTHERWISE SPECIFIED: 一般公差 ±0.3 0-PLC ± 1-PLC ±0.3 2-PLC ±0.10 3-PLC ±0.001 4-PLC ±0.000J ANGLES ±3'00"		NAME 040111 UNSEALED CONTACT, RECEPTACLE(M), LOW INSERTION TYPE	
MATERIAL COPPER ALLOY 銅合金		FINISH PRE-TIN すすめつき済み		PRODUCT SPEC 114-5217 APPLICATION SPEC 取付適用規格	
WEIGHT 0.3 g		SIZE A3 CAGE CODE 00779 DRAWING NO. C=1565916		RESTRICTED TO	
CUSTOMER DRAWING				SCALE 5:1 SHEET 1 OF 1 REV A	