

THIS DRAWING IS UNPUBLISHED.

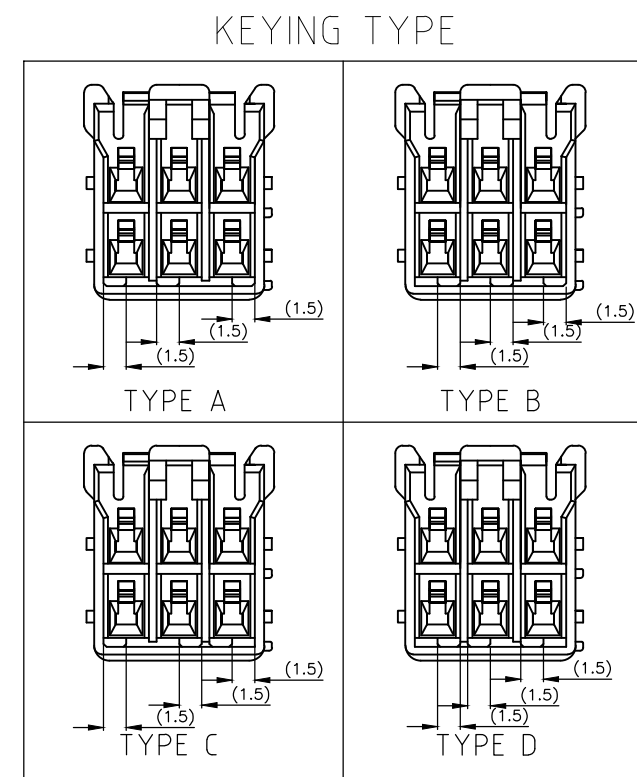
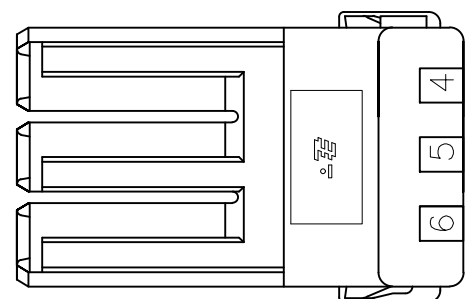
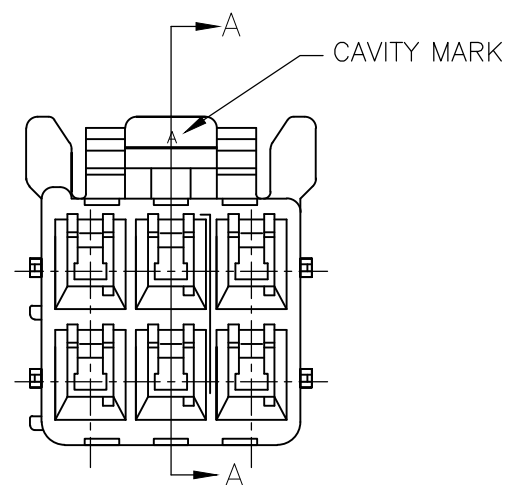
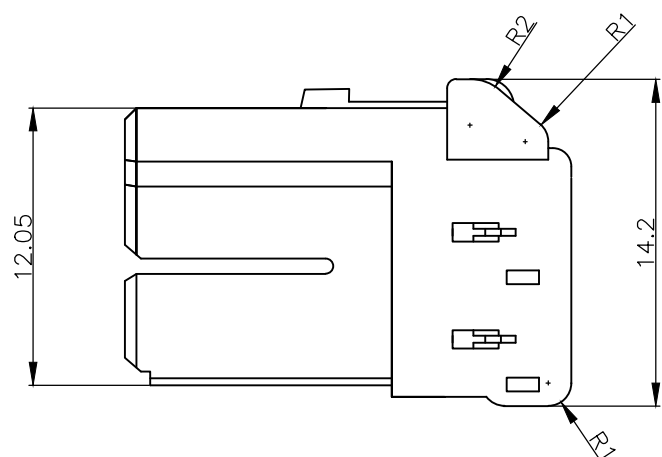
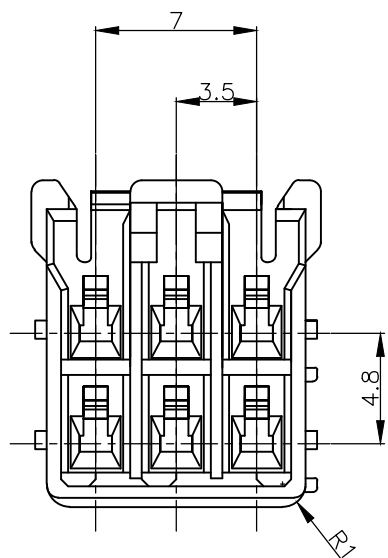
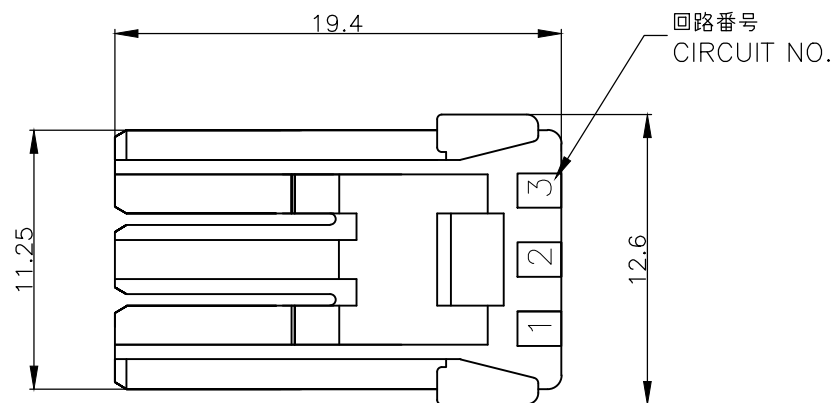
RELEASED FOR PUBLICATION

REVISIONS

© COPYRIGHT - TE Connectivity Ltd.

ALL RIGHTS RESERVED.

P	LTR	DESCRIPTION	DATE	DWN	APVD
	A2	REVISED PER ECR-20-006615	08MAY2020	SC	D.Z



3-1565088-4	D	YELLOW	3-1565084-4
2-1565088-3	C	BLUE	2-1565084-3
1-1565088-2	B	RED	1-1565084-2
1565088-1	A	NATURAL	1565084-1
MATING HSG P/N	KEYING TYPE	COLOR	P/N

注) 1.一般公差:±0.25

△材料: 66ナイロン ガラス無(UL94V-0)

△かん合相手製品型番

キャップハウジング: TABLE参照のこと

リセコンタクト: 1565079-1, 1612334-1

4. 適応プレート型番: 1565090-1

NOTES)

1.GENERAL TOLERANCE:±0.25

△MATERIAL:66 NYLON NON-GLASS FILLED (UL94V-0)

△MATING CONN. P/N

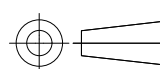
CAP HOUSING:SEE TABLE

REC CONTACT ;1565079-1,1612334-1

4. APPLICABLE PLATE P/N :1565089-1

THIS DRAWING IS A CONTROLLED DOCUMENT.

DIMENSIONS:
単位: 耗
mm



TOLERANCES UNLESS
OTHERWISE SPECIFIED:
一般公差

0 PLC	±
1 PLC	±
2 PLC	±
3 PLC	±
4 PLC	±
ANGLES	±

MATERIAL
材料
SEE NOTE △2

FINISH
仕上

DWN 30 MAY. '02

A.OISHI

CHK 30 MAY. '02

M.SHINDO

APVD 30 MAY. '02

M.SHINDO

PRODUCT SPEC

製品規格

108-5810

APPLICATION SPEC

取付適用規格

114-5306

WEIGHT

-

CUSTOMER DRAWING



TE Connectivity Ltd.

NAME 名称 GRACE INERTIA CONNECTOR 3.5
6POS PLUG HOUSING
グレイス・イナーシャ・コネクタ 3.5 6極 プラグハウジング

SIZE	CAGE CODE	DRAWING NO 番号	RESTRICTED TO
A3	00779	C-1565084	-

SCALE 尺度 - SHEET 1 OF 1 REV A2