

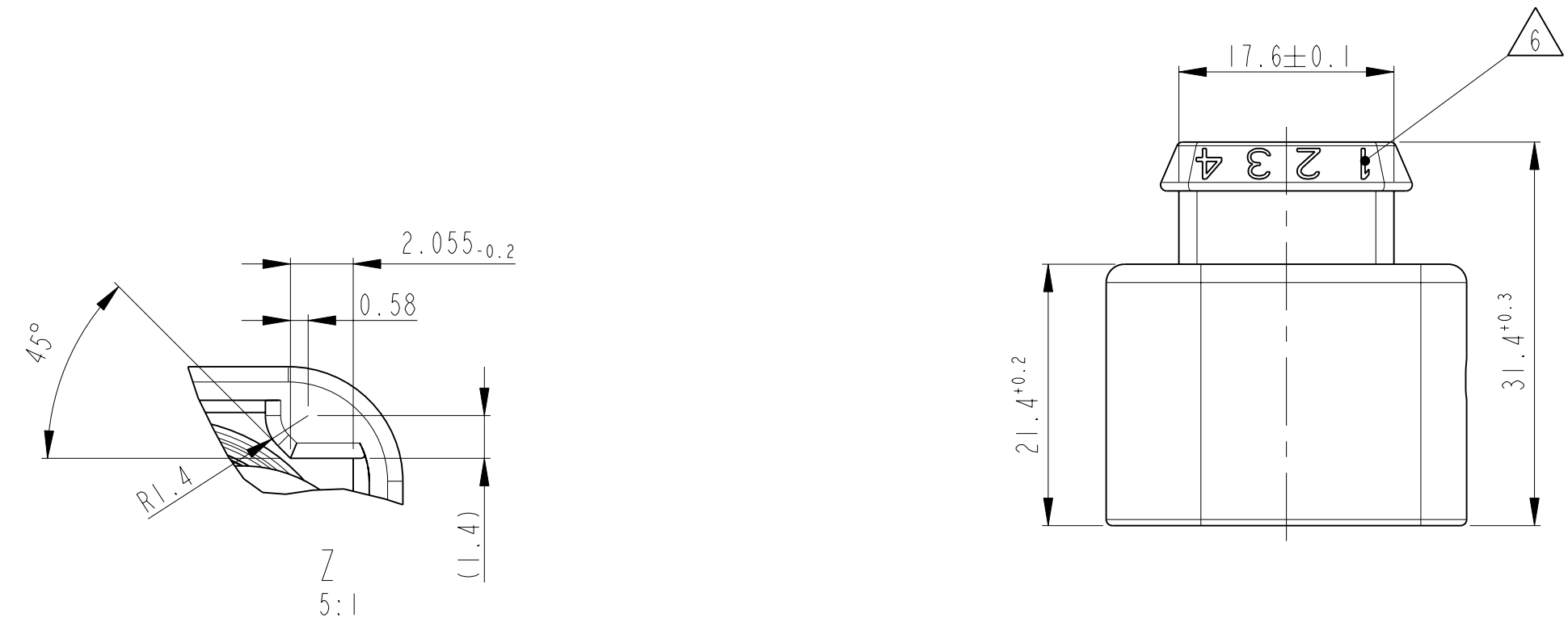
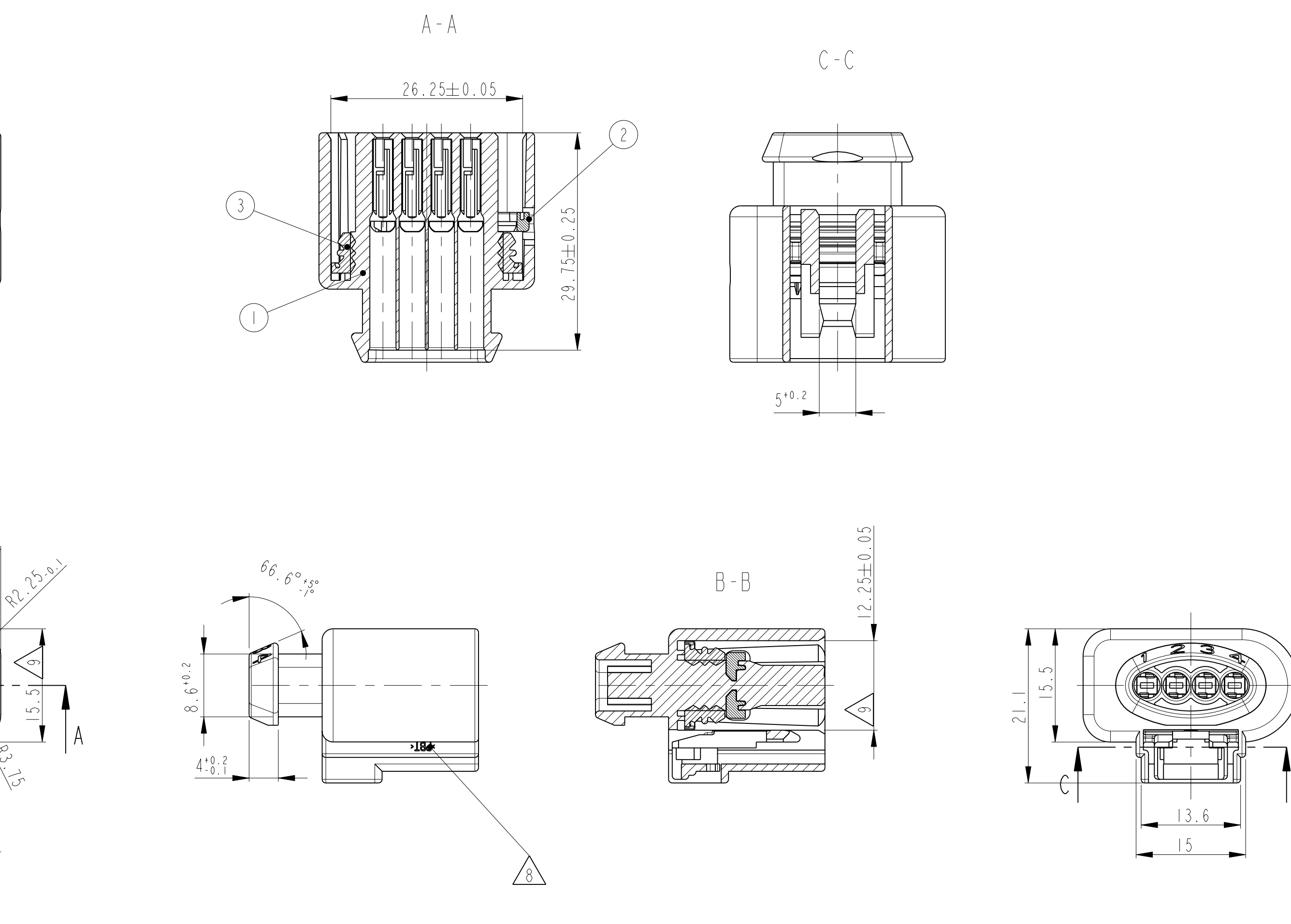
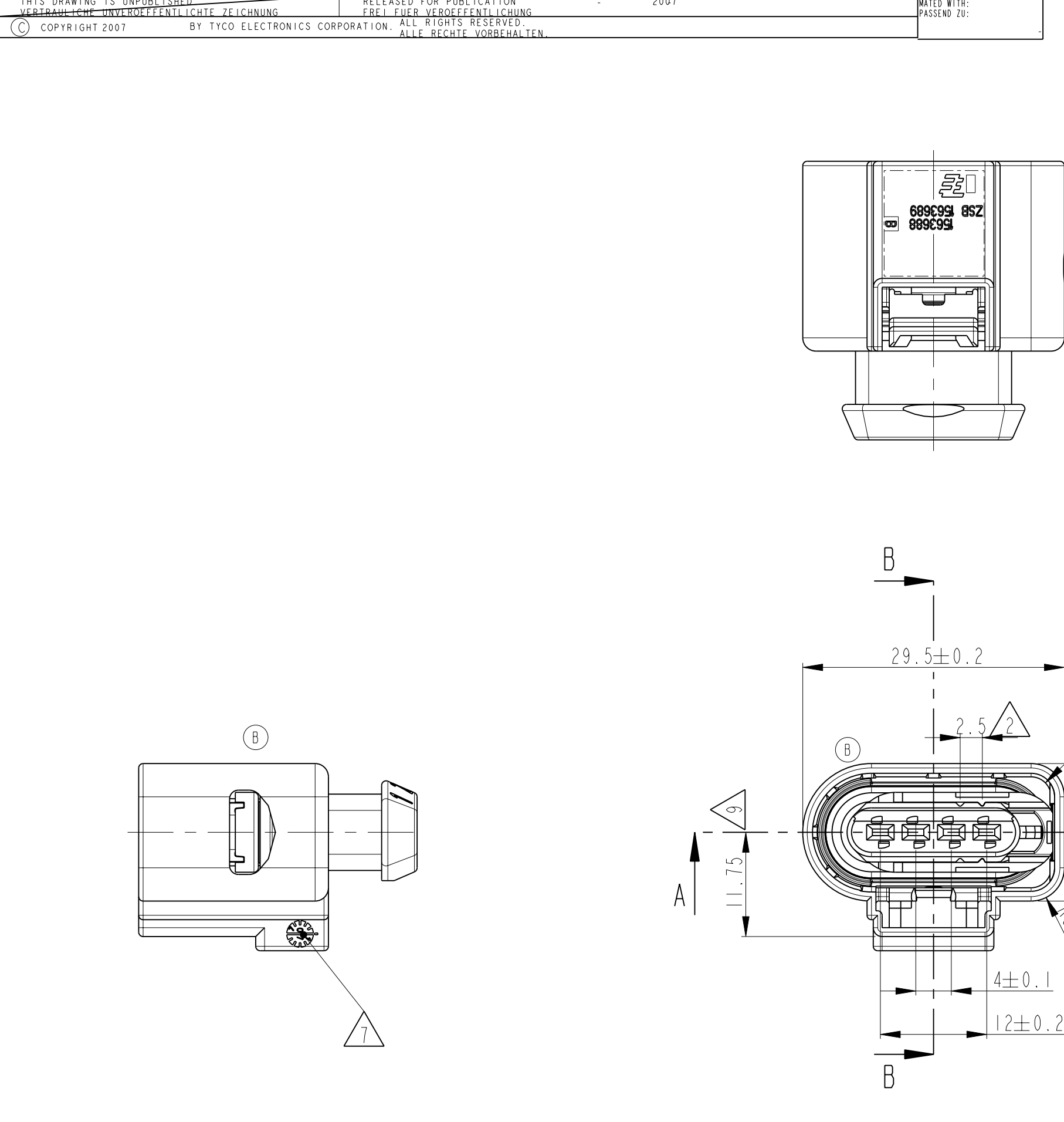
LOC	DIST	REV	DATE	BY	APPV
A1	-	1	29OCT2007	Zayc	Thiel
B	-	1	16APR2008	Zayc	Thiel

NOTES

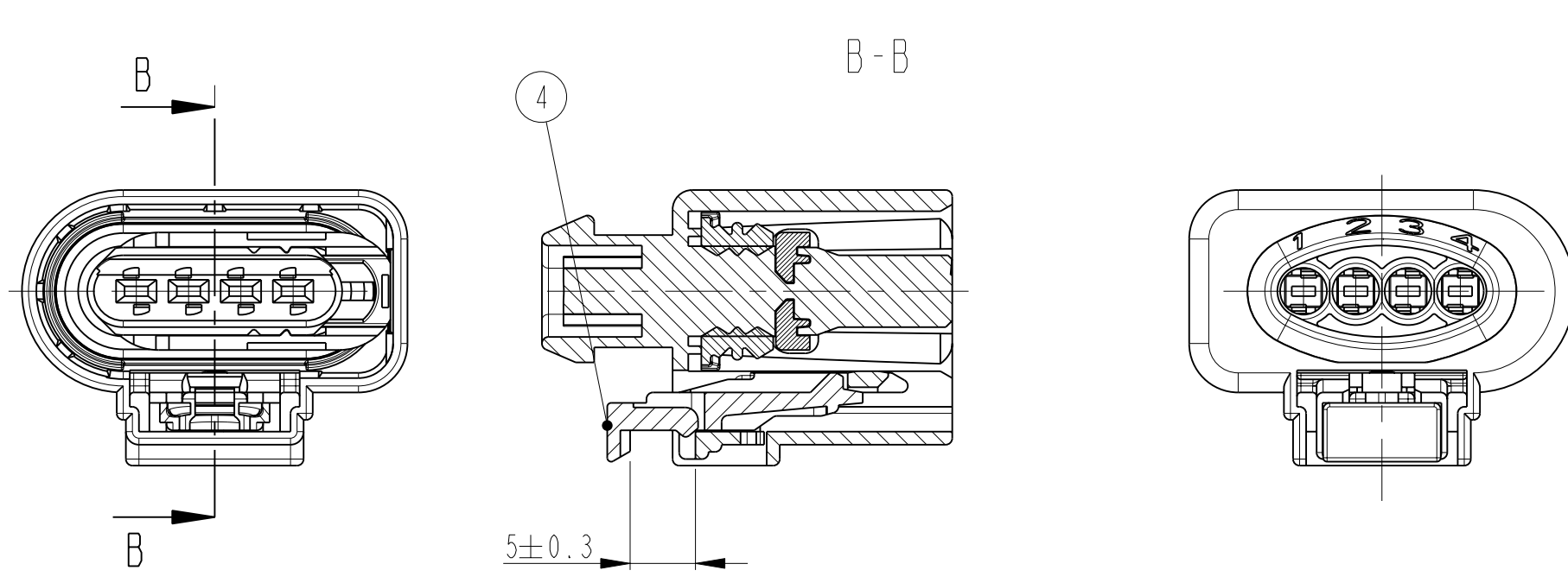
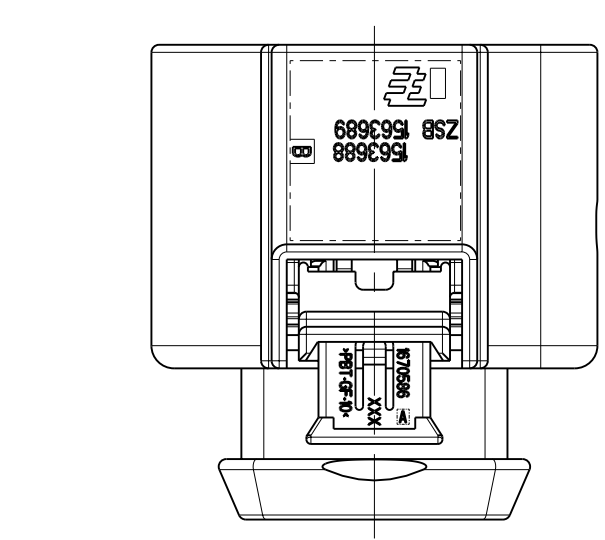
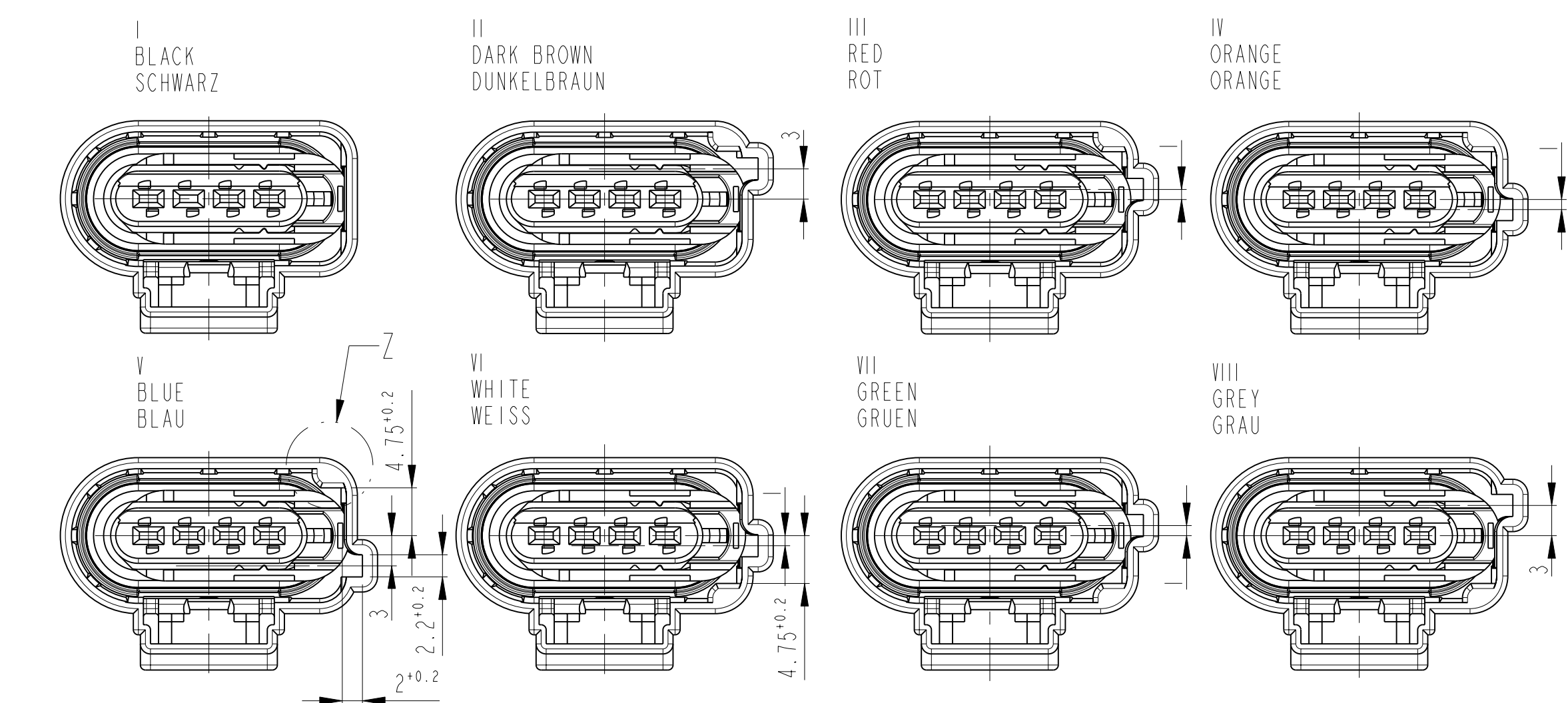
- 1 THE PART 1563689-1 ASSEMBLED F.E. WITH CONTACT 1241380-1, AND WIRE SEALING 964972-1 WILL HAVE THE SUITABLE MATING PART X-XXXXXX-X
- 2 CONDITION AS SUPPLIED: RETAINER IN PRE-LOCKED POSITION, AFTER CONTACT LOADING TO DRIFT IN THIS DIRECTION (2.5mm)
- 3 BULK PACKAGED
- 4 WITHOUT CPA (CONNECTOR POSITION ASSURANCE)
- 5 WITH CPA
- 6 CONTACT CAVITY NUMBER
- 7 PRODUCTION-DATE
- 8 MATERIAL MARKING ACC. TO VDA 260
- 9 ALLOWED WARPAGE ±0.5

BEMERKUNGEN

- 1 DAS TEIL 1563689-1 WIRD Z.B. MIT DEM KONTAKT 1241380-1, UND EINZELADERDICHTUNG 964972-1 BESTUECKT AUF DAS TEIL X-XXXXXX-X GESTECKT
- 2 LIEFERZUSTAND: VERRIEGELUNG IN VORRATSTELLUNG, NACH KONTAKTBESTUECKUNG IN DIESER RICHTUNG VERSCHIEBEN (2.5mm)
- 3 VERPACKT ALS SCHUETTGUT
- 4 OHNE CPA
- 5 MIT CPA
- 6 KONTAKTKAMMERNUMMER
- 7 PRODUKTIONSDATUM
- 8 WERKSTOFF-KENNZEICHNUNG NACH VDA 260
- 9 ZULAESSIGER VERZUG ±0.5



CODINGS  
 KODIERUNGEN  
 2:1



REV	TE-NO	MATERIAL	COLOR	RAL-NO	DESCRIPTION	ITEM NO
VIII	6-1563689-8	PBT-GF10	RED	3003	CPA, ...	4
		MVQ	NATURAL	-	RADIAL SEAL ...	3
VII	6-1563689-7	PBT-GF10	VIOLET	4006	RETAINER, ...	2
		PBT	GREY	7036	4 POSITION, AMP MCP1.5K, ...	1
VI	6-1563689-6	PBT-GF10	RED	3003	CPA, ...	4
		MVQ	NATURAL	-	RADIAL SEAL ...	3
V	6-1563689-5	PBT-GF10	VIOLET	4006	RETAINER, ...	2
		PBT	BLUE	5012	4 POSITION, AMP MCP1.5K, ...	1
IV	6-1563689-4	PBT-GF10	RED	3003	CPA, ...	4
		MVQ	NATURAL	-	RADIAL SEAL ...	3
III	6-1563689-3	PBT-GF10	VIOLET	4006	RETAINER, ...	2
		PBT	ORANGE	2003	4 POSITION, AMP MCP1.5K, ...	1
II	6-1563689-2	PBT-GF10	RED	3003	CPA, ...	4
		MVQ	NATURAL	-	RADIAL SEAL ...	3
I	6-1563689-1	PBT-GF10	VIOLET	4006	RETAINER, ...	2
		PBT	BLACK	9011	4 POSITION, AMP MCP1.5K, ...	1
VIII	1563689-8	PBT-GF10	VIOLET	4006	RETAINER, ...	2
		PBT	GREY	7036	4 POSITION, AMP MCP1.5K, ...	1
VII	1563689-7	MVQ	NATURAL	-	RADIAL SEAL ...	3
		PBT-GF10	VIOLET	4006	RETAINER, ...	2
VI	1563689-6	PBT-GF10	VIOLET	4006	RETAINER, ...	2
		PBT	WHITE	9010	4 POSITION, AMP MCP1.5K, ...	1
V	1563689-5	MVQ	NATURAL	-	RADIAL SEAL ...	3
		PBT-GF10	VIOLET	4006	RETAINER, ...	2
IV	1563689-4	MVQ	NATURAL	-	RADIAL SEAL ...	3
		PBT-GF10	VIOLET	4006	RETAINER, ...	2
III	1563689-3	PBT-GF10	VIOLET	4006	RETAINER, ...	2
		PBT	RED	3003	4 POSITION, AMP MCP1.5K, ...	1
II	1563689-2	MVQ	NATURAL	-	RADIAL SEAL ...	3
		PBT-GF10	VIOLET	4006	RETAINER, ...	2
I	1563689-1	MVQ	NATURAL	-	RADIAL SEAL ...	3
		PBT-GF10	VIOLET	4006	RETAINER, ...	2

REV	TE-NO	MATERIAL	COLOR	RAL-NO	DESCRIPTION	ITEM NO
1	1563689-1	PBT-GF10	VIOLET	4006	RETAINER, ...	2
1	1563689-1	PBT	BLACK	9011	4 POSITION, AMP MCP1.5K, ...	1