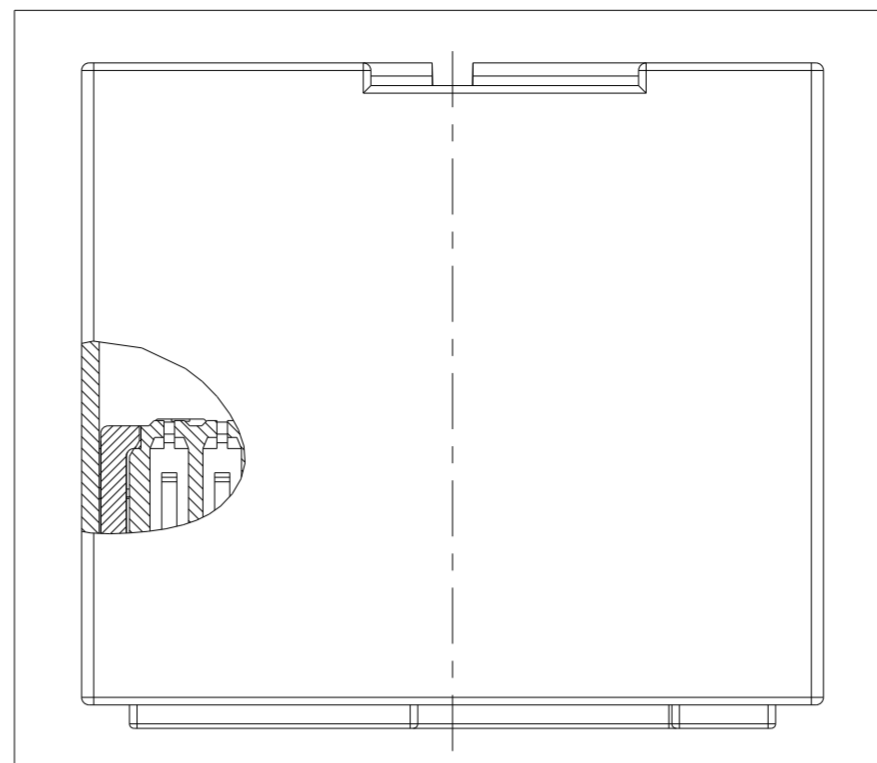
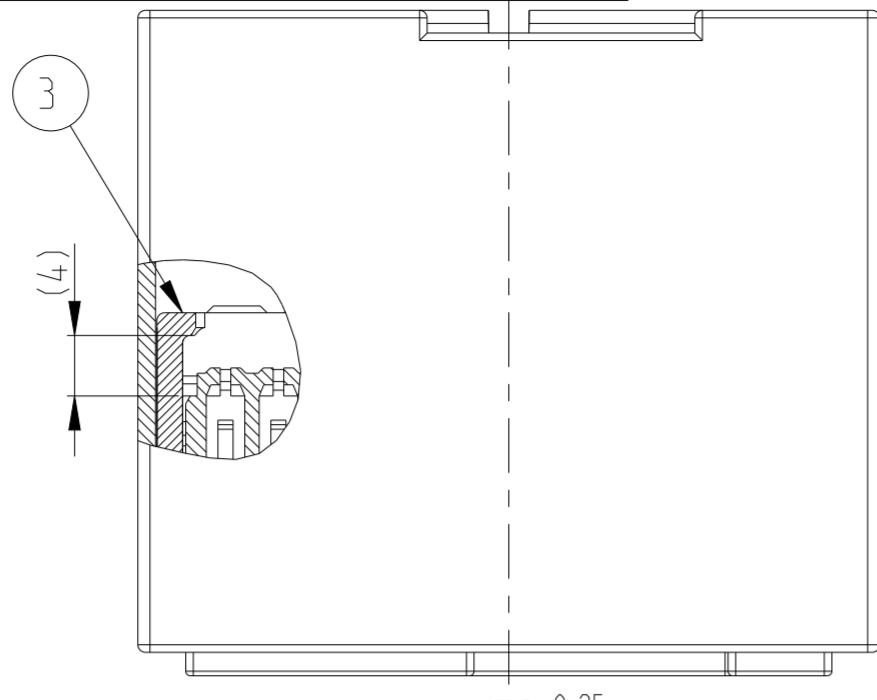
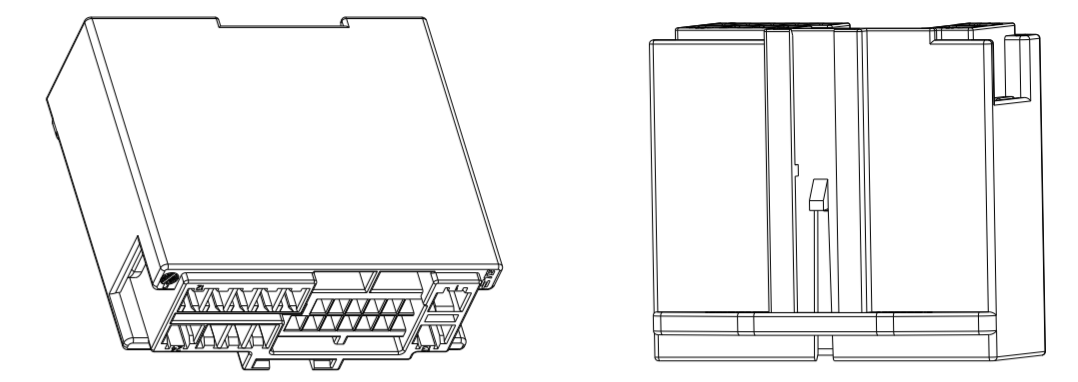


LOC	DIST	REVISIONS			
P	LTR	DESCRIPTION	DATE	DWN	APVD
A		NEW DRAWING	15NOV2007	GP	GM
A1		ECR-08-015316	21AUG2008	GP	GM
A2		ECR-21-105283	17JUN2021	KC	PT
A3		ECR-21-115610	29SEP2021	KC	PT

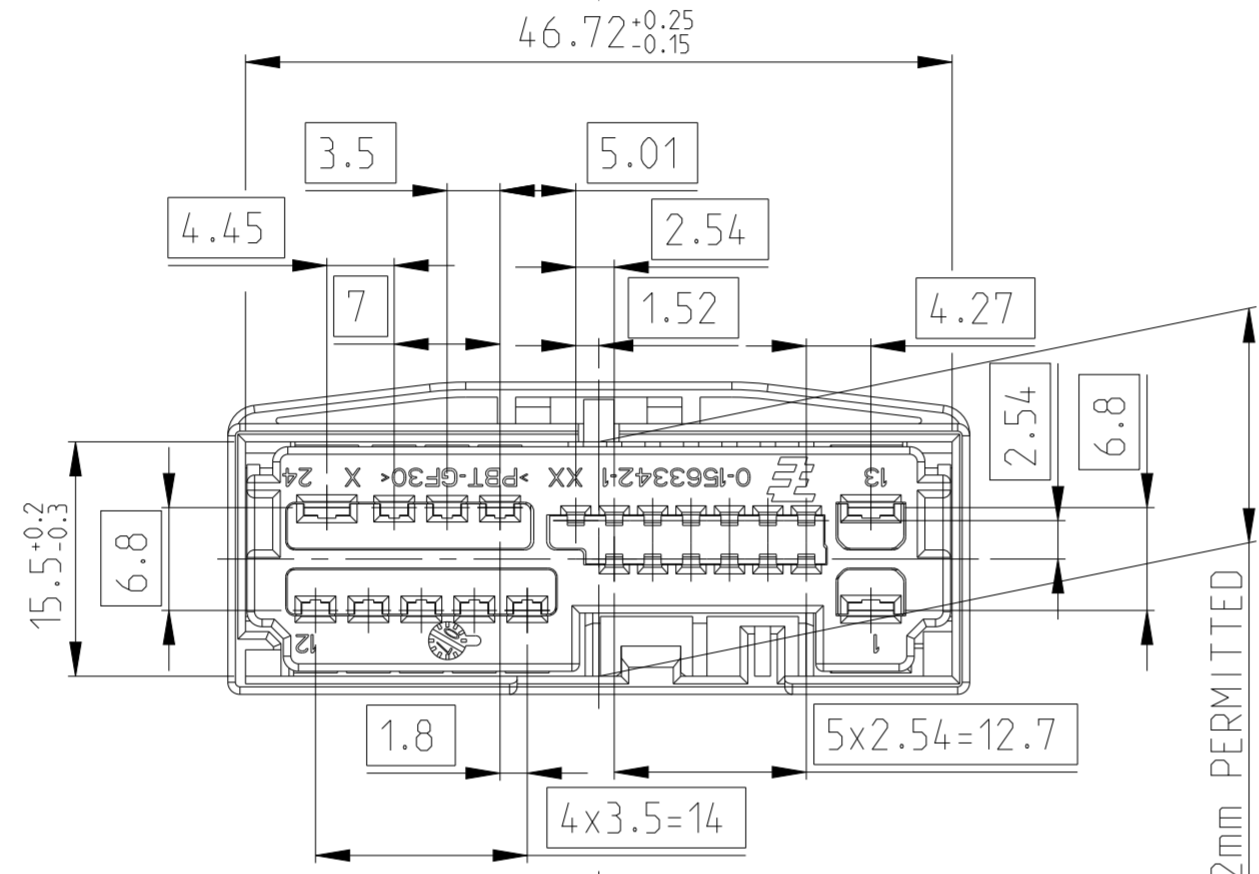
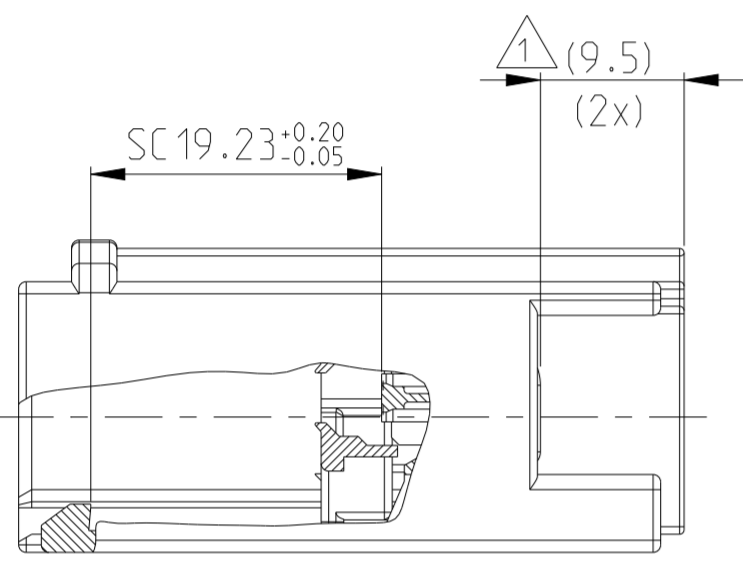
DELIVERY CONDITION:
2-NDARY LOCK IN PRE LOCK POSITION
Auslieferungszustand:
Zweite Kontaktsicherung
in Vorraststellung



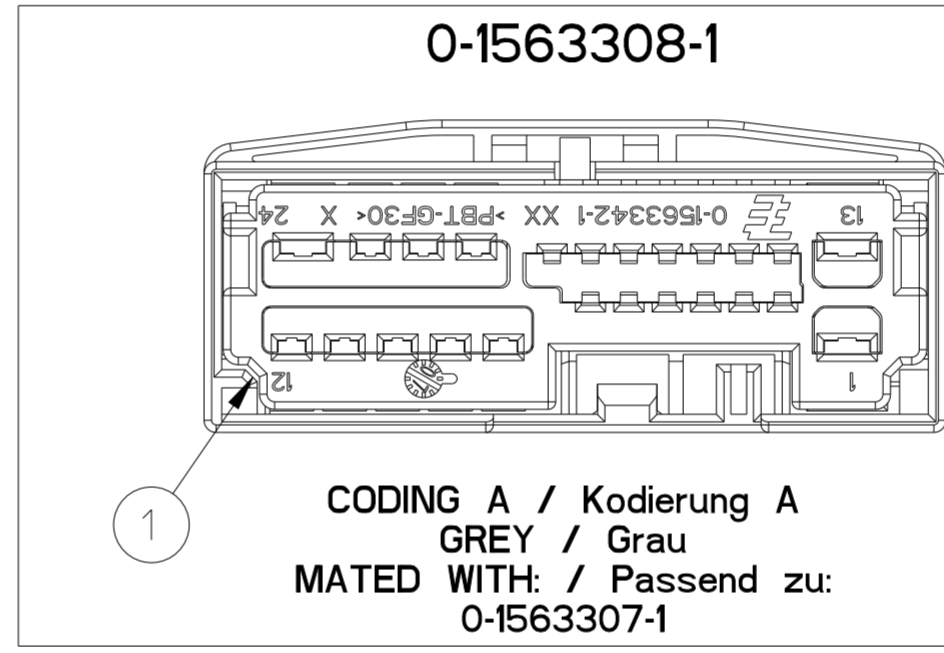
2-NDARY LOCK IN END LOCK POSITION
Zweite Kontaktsicherung
in Endraststellung



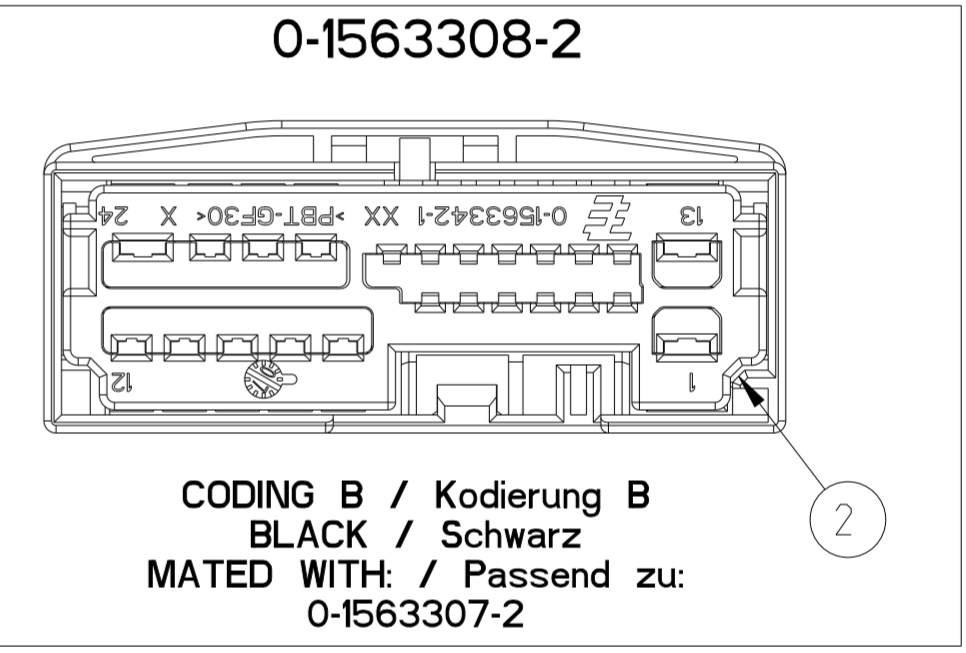
1:1



WARPAGE 1,2mm PERMITTED
 Einfall 1,2mm zulaessig

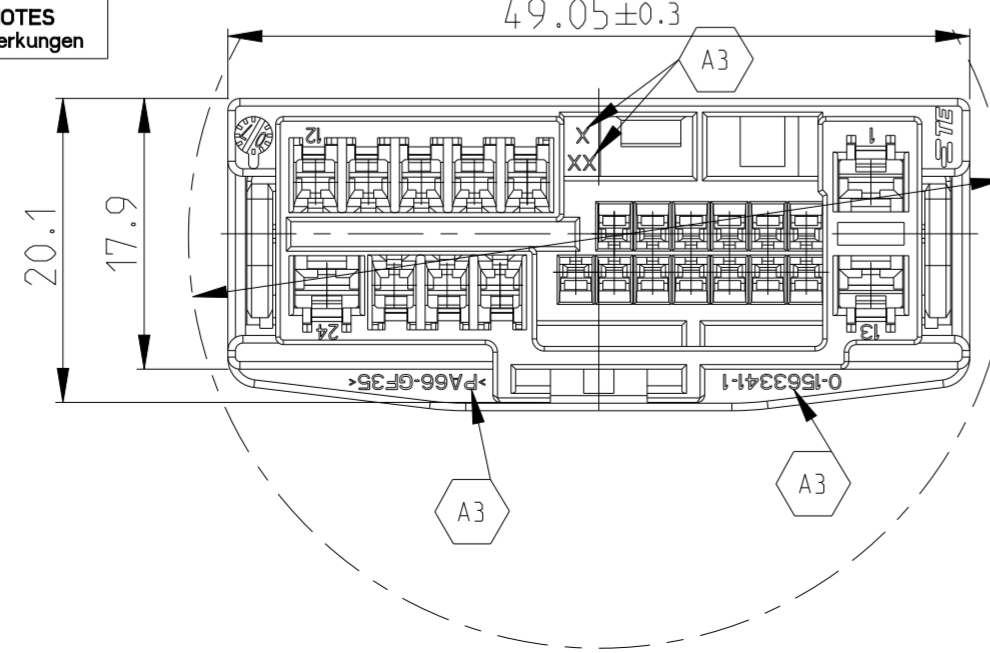
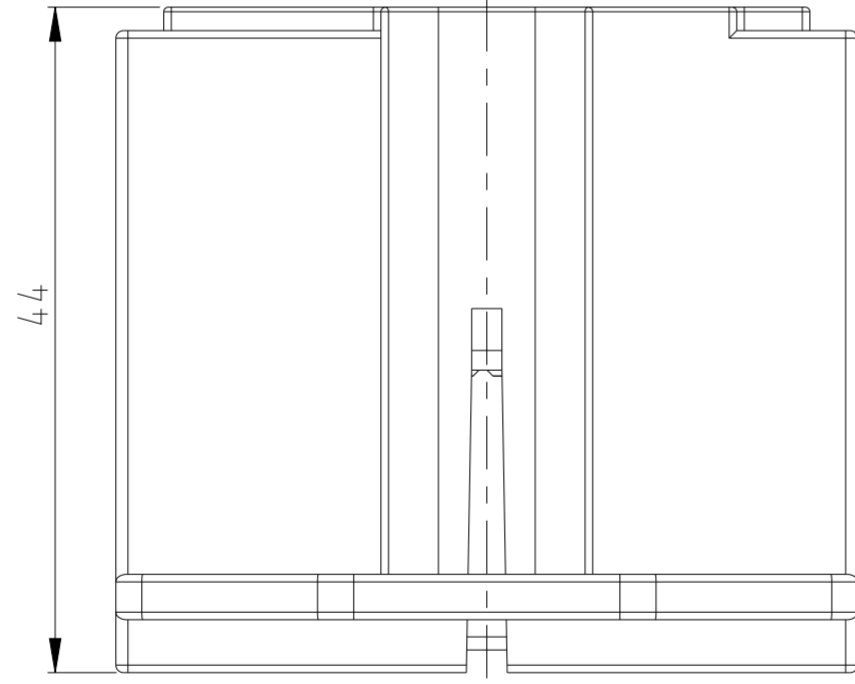


CODING A / Kodierung A
GREY / Grau
MATED WITH: / Passend zu:
0-1563307-1



CODING B / Kodierung B
BLACK / Schwarz
MATED WITH: / Passend zu:
0-1563307-2

YAZAKI PART	TIN	1.50-2.50mm ²	97BG-14421-BCA	FORD CAT3
YAZAKI PART	TIN	0.50-1.00mm ²	97BG-14421-BBA	
YAZAKI PART	TIN	0.35-0.50mm ²	97BG-14421-BAA	
YAZAKI PART	GOLD	0.75-1.00mm ²	97BG-14421-AGA	FORD CAT2
YAZAKI PART	GOLD	0.35-0.50mm ²	97BG-14421-AFA	
YAZAKI PART	TIN	1.50mm ²	97BG-14421-ACB	
YAZAKI PART	TIN	0.75-1.00mm ²	97BG-14421-ABB	GET
YAZAKI PART	TIN	0.35-0.50mm ²	97BG-14421-AAB	
2-1419158-3	GOLD	0.50-0.75mm ²	1L2T-14421-CA	
3-1419158-1	GOLD	0.22-0.35mm ²	1L2T-14421-DA	
2-1419158-5	TIN	0.50-0.75mm ²	1L2T-14421-AA	
1-1419158-6	TIN	0.22-0.35mm ²	1L2T-14421-BA	
TERMINALS TE-PN	FINISH	WIRE SIZE	TERMINALS FORD-PN	NOTES
Kontakte TE-PN	Oberflaeche	Drahtquerschnitt	Kontakte FORD-PN	Bemerkungen



Ø54.26
 MIN. PASS THRU DIAMETER
 Min. Durchmesser fuer Durchgangslot

-1 AS SHOWN
 wie gezeichnet

NOTES:
 Bemerkungen:

- SC SIGNIFICANT CHARACTERISTIC
 Significantes Merkmal
- DENOTES BASIC DIMENSIONS HAVE ZERO TOLERANCE AND DESCRIBE THE THEORETICAL EXACT LOCATION (TRUE POSITION) OF A FEATURE OR CONTUR.
 Theoretische Funktionsmasse, sie haben keine Toleranz und geben eine genaue Lage, Funktion oder Kontur an.
- △ Any free fall of the TPA from Pre-Lock position during or after transportation to Harness Makers. Harness Makers can still rework on them by manually pushing the TPA to the Pre-Lock Position.
 DIMENSIONAL CHECK: To Verify the TPA in Pre-Lock position.

QTY	QTY	0-1563342-1	A	24POS MIXED 2ND LOCK	RED	3	
1x	1x	0-1563341-2	A	24POS MIXED PINHSG CODING B	BLACK	2	
	1x	0-1563341-1	A	24POS MIXED PINHSG CODING A	GREY	1	
0-1563308-2		0-1563308-1	PART NO	REV	DESCRIPTION	COLOUR	ITEM NO

REVISION OF EACH ASSY NO (WHEN BLANK, USE DWG REVISION)						
PARTS LIST						
DWN	G_PUCKEL	15NOV2007	Tyco Electronics AMP GmbH			
CHK	K.ROTH	15NOV2007	64625 Bensheim (Germany)			
APVD	G_MUMPER	15NOV2007	NAME			
PRODUCT SPEC			24POS.MIXED, PIN HOUSING ASSY			
APPLICATION SPEC			---			
SIZE	CAGE CODE	DRAWING NO	RESTRICTED TO			
A2	00779	1563308				
CUSTOMER DRAWING			SCALE	SHEET	OF	REV
			2:1	1	1	A3