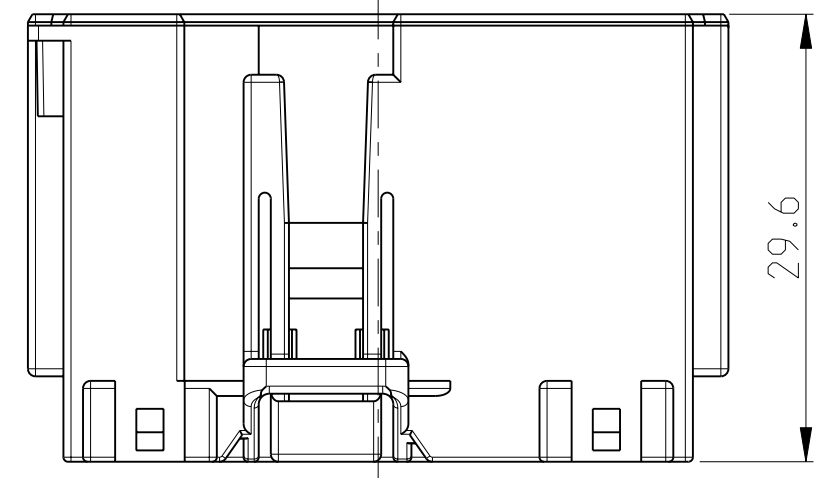
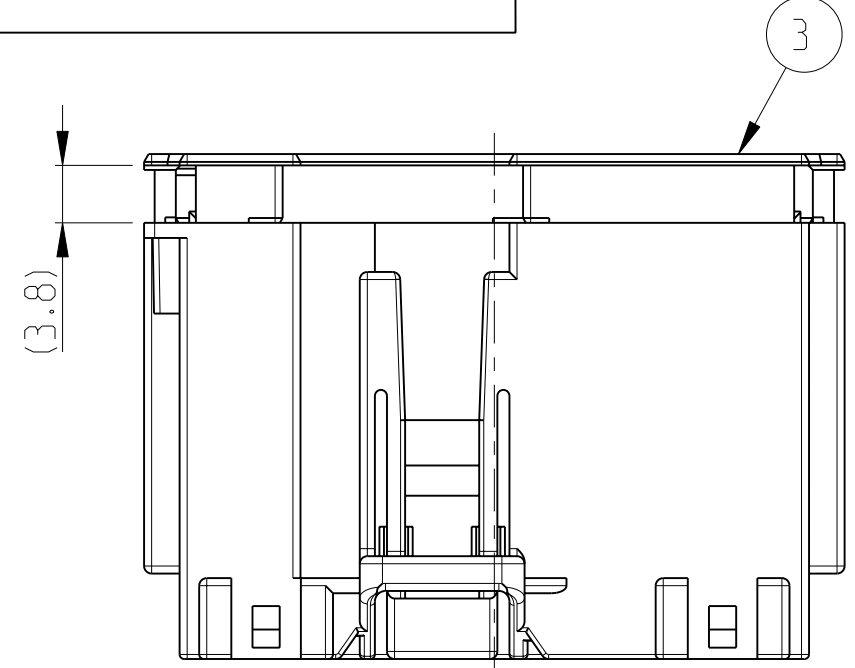
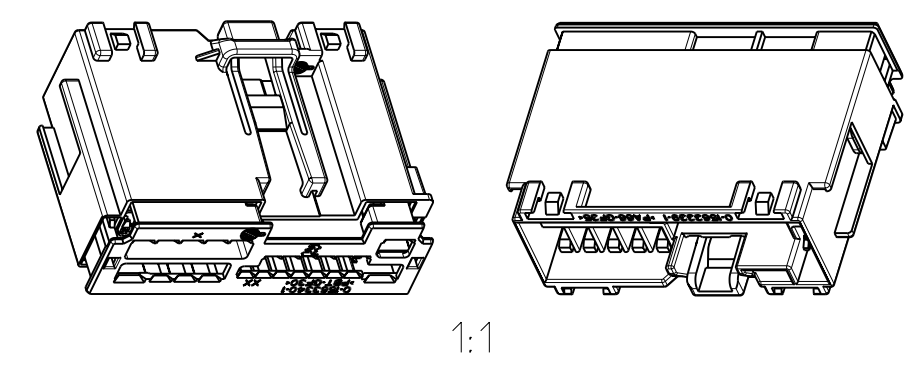


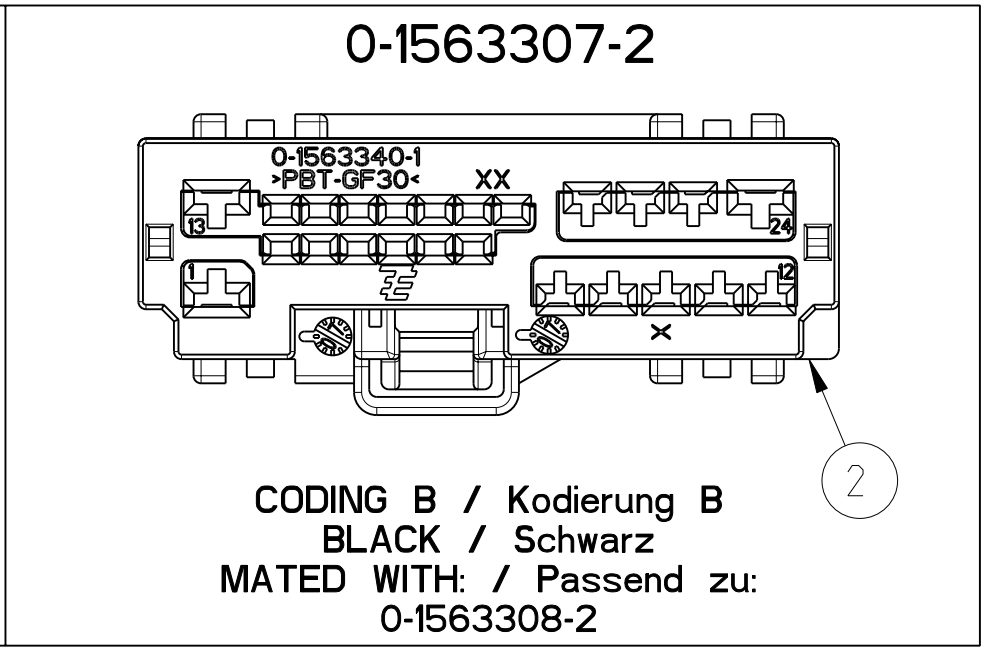
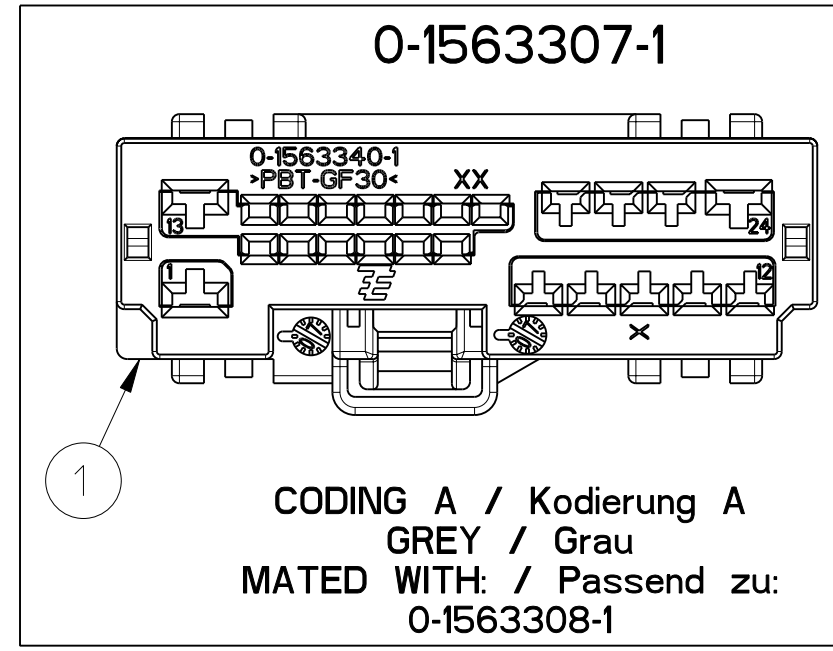
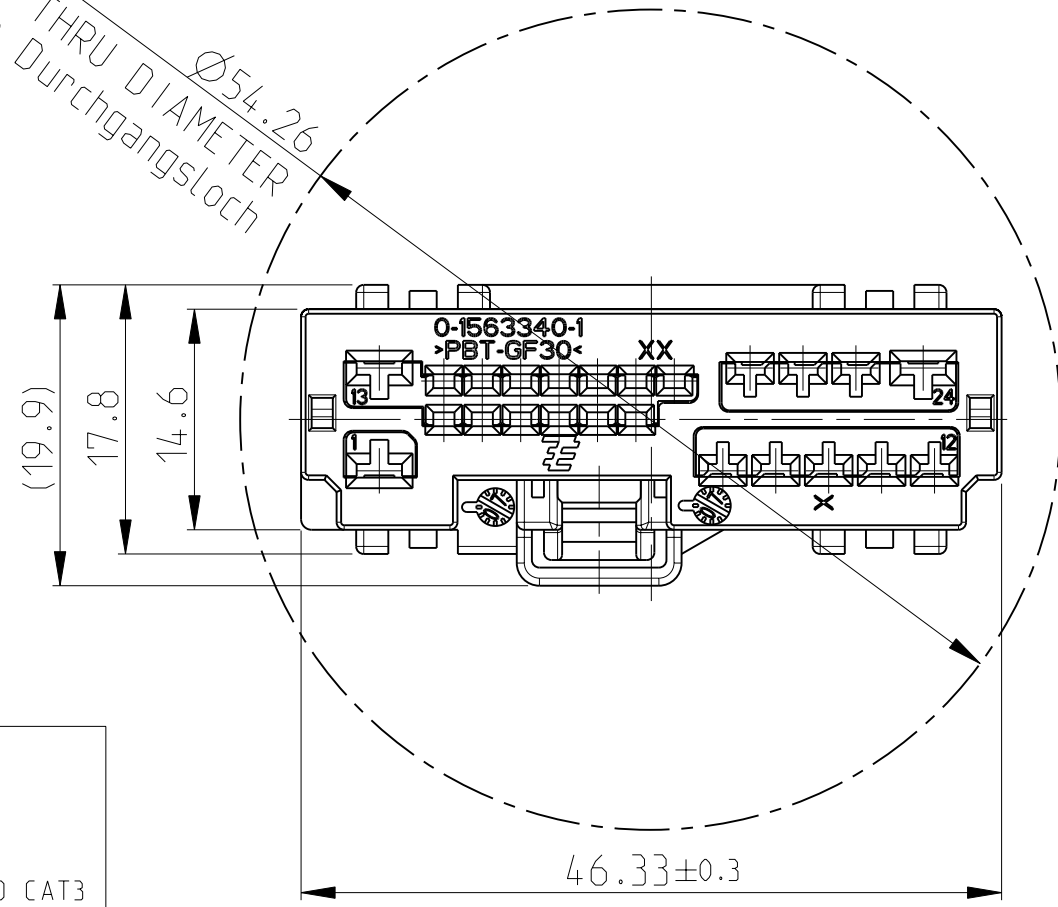
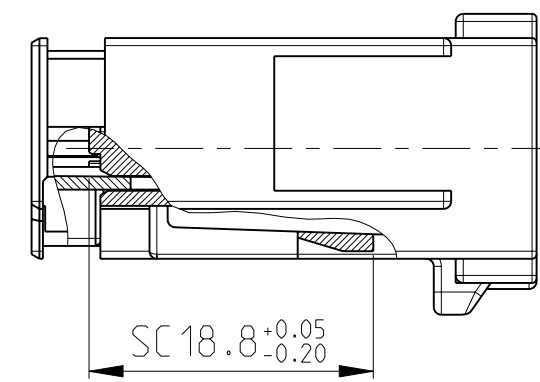
LOC	DIST	REVISIONS			
P	LTR	DESCRIPTION	DATE	DWN	APVD
A		NEW DRAWING	15NOV2007	GP	GM
A1		ECR-08-015316	18AUG2008	GP	GM
B		ECR-09-009337	27APR2009	GP	GM

**DELIVERY CONDITION:**  
**2-NDARY LOCK IN PRE LOCK POSITION**  
**Auslieferungszustand:**  
**Zweite Kontaktsicherung**  
**in Vorraststellung**

**2-NDARY LOCK IN END LOCK POSITION**  
**Zweite Kontaktsicherung**  
**in Endraststellung**



MIN. PASS THRU DIAMETER  
 MIN. Durchmesser fuer Durchgangsloch  
 $\varnothing 54.26$



TERMINALS TE-PN	FINISH Oberflaeche	WIRE SIZE Drahtquerschnitt	TERMINALS FORD-PN	NOTES Bemerkungen
0-1326030-4	TIN	2.50-4.00mm <sup>2</sup>	1F1T-14474-DA	FORD CAT3
YAZAKI PART	TIN	1.50-2.50mm <sup>2</sup>	97BG-14474-BCA	
0-1326030-3	TIN	1.50-2.50mm <sup>2</sup>	1F1T-14474-CA	
YAZAKI PART	TIN	0.75-1.00mm <sup>2</sup>	97BG-14474-BBA	
0-1326030-2	TIN	0.75-1.00mm <sup>2</sup>	1F1T-14474-BA	
YAZAKI PART	TIN	0.35mm <sup>2</sup>	97BG-14474-BAA	FORD CAT2
0-1326030-1	TIN	0.35mm <sup>2</sup>	1F1T-14474-LA	
YAZAKI PART	GOLD	0.75-1.00mm <sup>2</sup>	97BG-14474-AGA	
YAZAKI PART	GOLD	0.35-0.50mm <sup>2</sup>	97BG-14474-AFA	
YAZAKI PART	TIN	1.50mm <sup>2</sup>	97BG-14474-ACB	
YAZAKI PART	TIN	0.75-1.00mm <sup>2</sup>	97BG-14474-ABB	FORD CAT0
YAZAKI PART	TIN	0.35-0.50mm <sup>2</sup>	97BG-14474-AAB	
0-1719958-1	TIN	0.50-0.75mm <sup>2</sup>	-	
0-1719957-1	TIN	0.22-0.35mm <sup>2</sup>	-	
0-1393366-1	TIN	0.50-0.75mm <sup>2</sup>	3F2T-14474-RA	
0-1393367-1	TIN	0.22-0.35mm <sup>2</sup>	3F2T-14474-SA	FORD CAT0
0-1393365-1	GOLD	0.50-0.75mm <sup>2</sup>	1L2T-14474-CA	
0-1393364-1	GOLD	0.22-0.35mm <sup>2</sup>	1L2T-14474-DA	

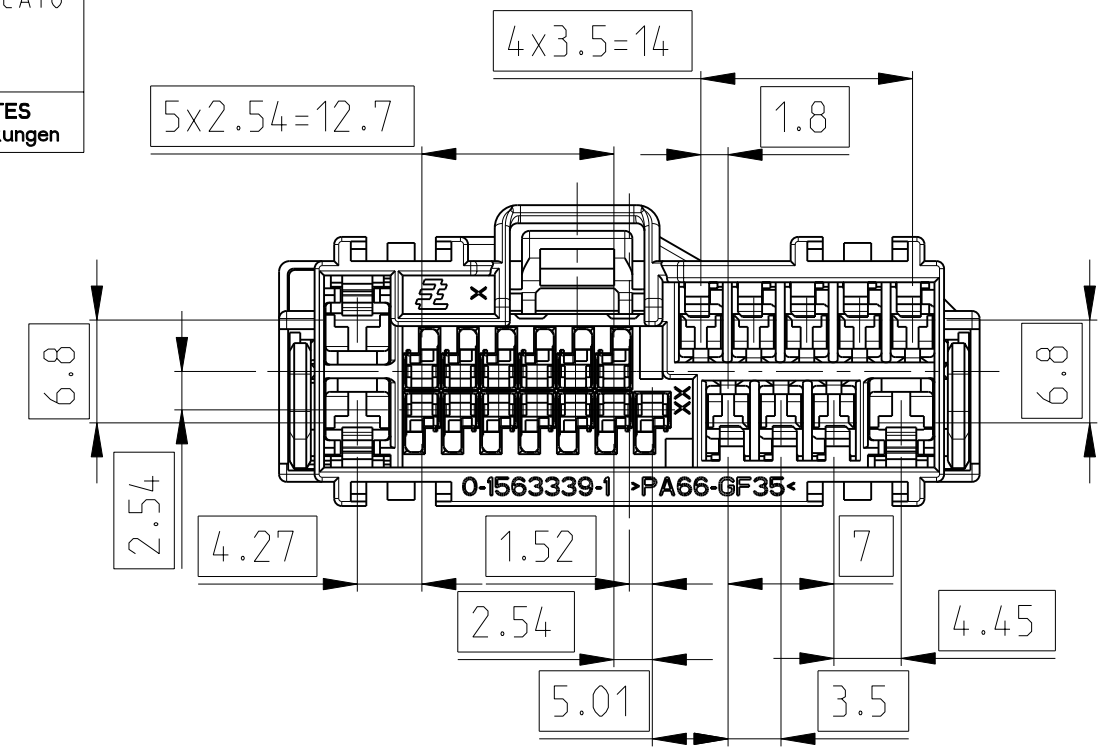
NOTES:  
 Bemerkungen:  
 SC SIGNIFICANT CHARACTERISTIC  
 Significantes Merkmal  
 DENOTES BASIC DIMENSIONS HAVE ZERO TOLERANCE AND DESCRIBE THE THEORETICAL EXACT LOCATION (TRUE POSITION) OF A FEATURE OR CONTOUR.  
 Theoretische Funktionsmasse, sie haben keine Toleranz und geben eine genaue Lage, Funktion oder Kontur an.

QTY	UNIT	PART NO	DESCRIPTION	COLOUR	ITEM NO
1x	1x	0-1563340-1	24POS MIXED 2ND LOCK	RED	3
1x	1x	0-1563339-2	24POS MIXED REC.HSG CODING B	BLACK	2
	1x	0-1563339-1	24POS MIXED REC.HSG CODING A	GREY	1

**0-1563307-2 0-1563307-1**

REVISION OF EACH ASSY NO (WHEN BLANK, USE DWG REVISION)

PARTS LIST



DIMENSIONS:		TOLERANCES UNLESS OTHERWISE SPECIFIED:		DWN		Tyco Electronics	
mm		0 PLC	±0.50	G_PUCKEL	15NOV2007	Tyco Electronics AMP GmbH 64625 Bensheim (Germany)	
-		1 PLC	±0.30	CHK	15NOV2007	NAME 24POS. MIXED, RECEPTACLE HOUSING ASSY	
-		2 PLC	±0.15	K_ROTH	15NOV2007	SIZE CAGE CODE DRAWING NO RESTRICTED TO	
-		3 PLC	±	APVD	15NOV2007	A2 00779 C-1563307	
-		4 PLC	±	G_MUMPER	15NOV2007	SCALE 2:1 SHEET 1 OF 1 REV B	
-		ANGLES	±1°	PRODUCT SPEC	-	-	
-		FINISH	-	APPLICATION SPEC	-	-	
-		MATERIAL	-	WEIGHT	-	-	
-				CUSTOMER DRAWING	-	-	

-1 AS SHOWN  
 wie gezeichnet