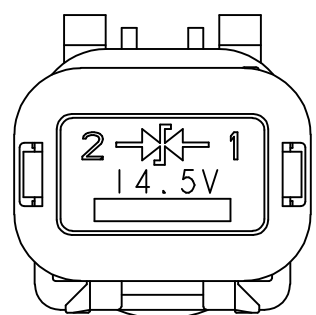
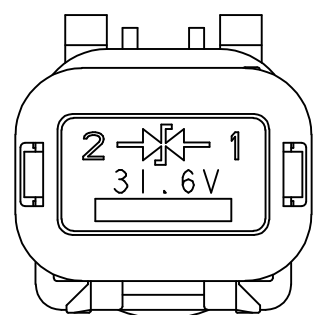


THIS DRAWING IS UNPUBLISHED. RELEASED FOR PUBLICATION
 © COPYRIGHT 2009 BY TYCO ELECTRONICS CORPORATION. ALL INTERNATIONAL RIGHTS RESERVED.

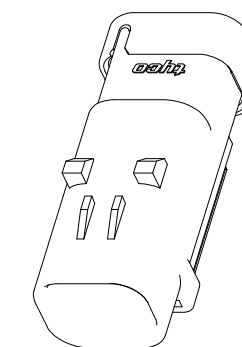
LOC	DIST	REVISIONS					
J	—	P	LTR	DESCRIPTION	DATE	DWN	APVD
		A		RELEASED	21OCT2009	G.E	T.K



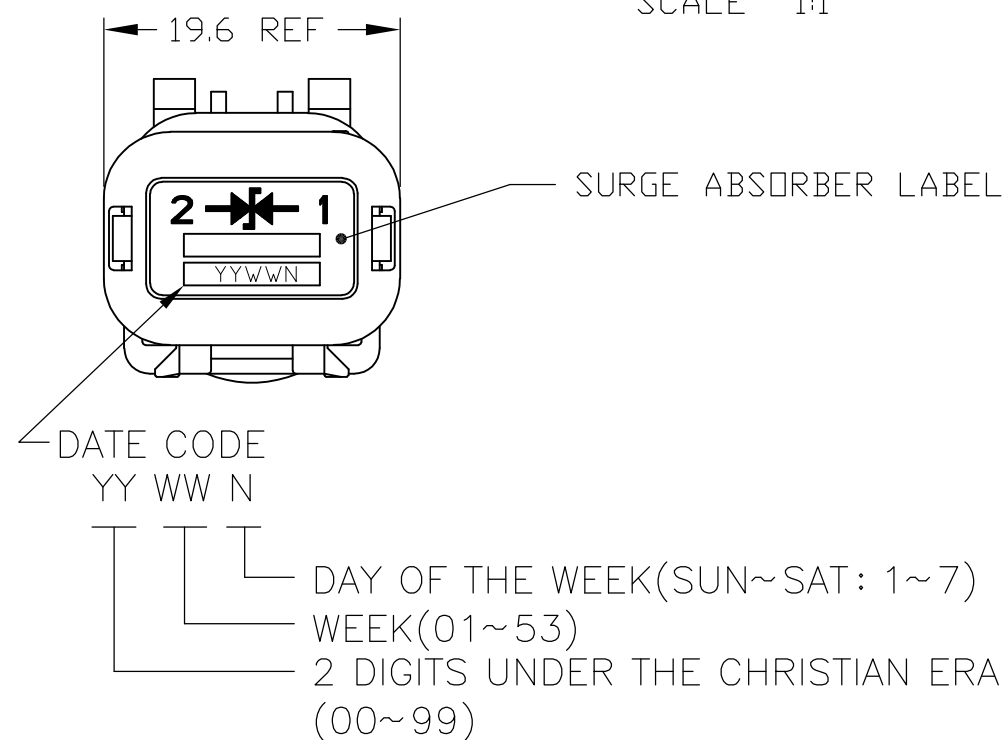
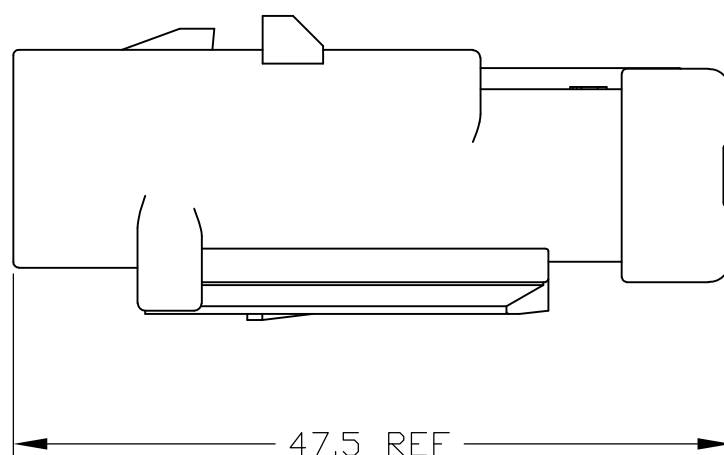
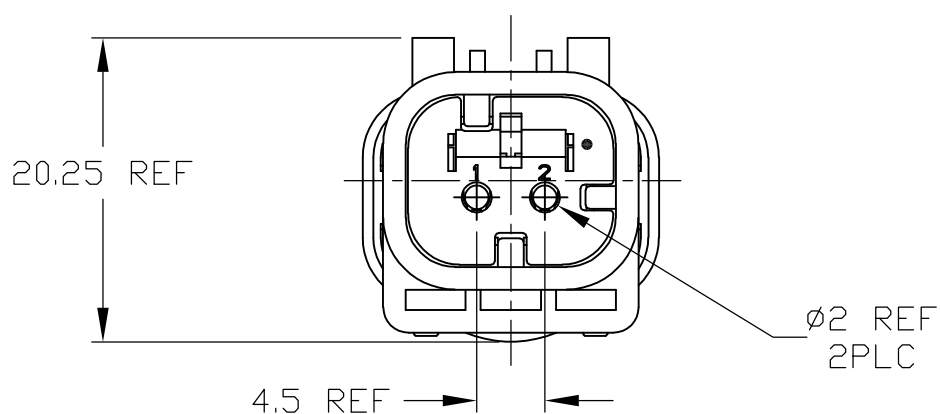
1554369-1



1554369-2



SCALE 1:1



- NOTE;
- 1、本製品はRoHS対応品。
THIS PRODUCT IS RoHS COMPLIANT.
 - 2、電気検査：誤配線、オープン ショートなきこと。ブレークダウン電圧が正常であること。
ELECTRILAC INSPECTION:NIETHER MISS_CONNECTION , OPEN NOR SHORT.
BREAKDOWN VOLTAGE MUST BE NORMAL.

31.6 V	1554369-2
14.5 V	1554369-1
SURGE ABSORBER RATED VOLTAGE	PART NUMBER

SURGE ABSORBER メーカー：石塚電子（株）			
MAKER P/N	定格電圧 Vs (V)	ブレークダウン電圧 Vb (V)	定格電力 P (W)
Z6018	14.5	18	2
Z6039	31.6	39	2

THIS DRAWING IS A CONTROLLED DOCUMENT.		DWN G.EZAWA 15OCT2009	Tyco Electronics Corporation Kawasaki, Japan	
DIMENSIONS: mm		CHK H.OSABE 21OCT2009	NAME CAP ASSY	
TOLERANCES UNLESS OTHERWISE SPECIFIED: 0 PLC ± - 1 PLC ± - 2 PLC ± - 3 PLC ± - 4 PLC ± - ANGLES ± -		APVD T.KIMURA 21OCT2009	AMP SEAL16 2P CAP WITH SURGE ABSORBER	
MATERIAL		FINISH	PRODUCT SPEC —	RESTRICTED TO —
		APPLICATION SPEC —	SIZE A3	CAGE CODE 00779
		WEIGHT 10.8g	DRAWING NO C-1554369	
CUSTOMER DRAWING			SCALE 2:1	SHEET 1 OF 1
			REV A	