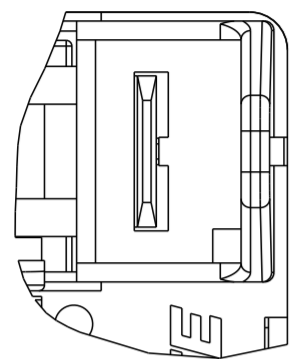


THIS DRAWING IS UNPUBLISHED.  
 DIFFUSION RESTREINTE  
 © COPYRIGHT 2013

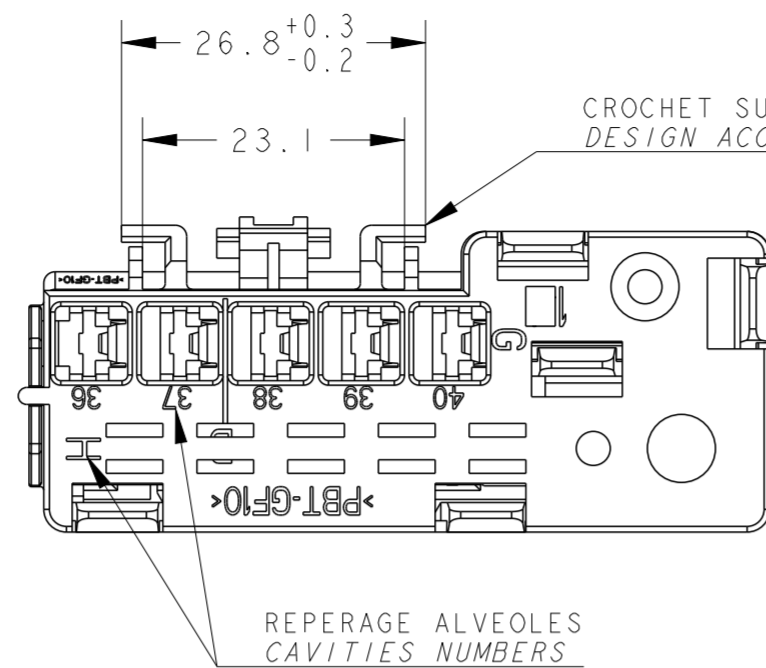
RELEASED FOR PUBLICATION  
 LIBRE A LA DIFFUSION  
 2013  
 ALL RIGHTS RESERVED.  
 TOUS DROITS RESERVES

LOC	DIST	REVISIONS			
P	LTR	DESCRIPTION MODIFICATIONS	DATE	DWN DESS.	APVD APP.
F	00				
	A	ADDED 2nd INK JET AREA	05MAR2006	PCs	JDf
	B	UPDATE LOGO TE	23MAR2013	PCs	JDf
	B1	ADD TABLE ON SPT5	06JUL2017	OB	IS
	B2	CHANGE MARKING ZONE POSITION	18NOV2019	OB	IS

EMBASE CONNECTEUR  
 1 VOIE 8mm SECURITE  
 CODAGE NOIR, GRIS ET VERT  
 HEADER FOR 8mm 1WAY  
 SECURITY CONNECTOR.  
 BLACK, GREY AND GREEN CODING



DETAIL A  
 SCALE 5:2

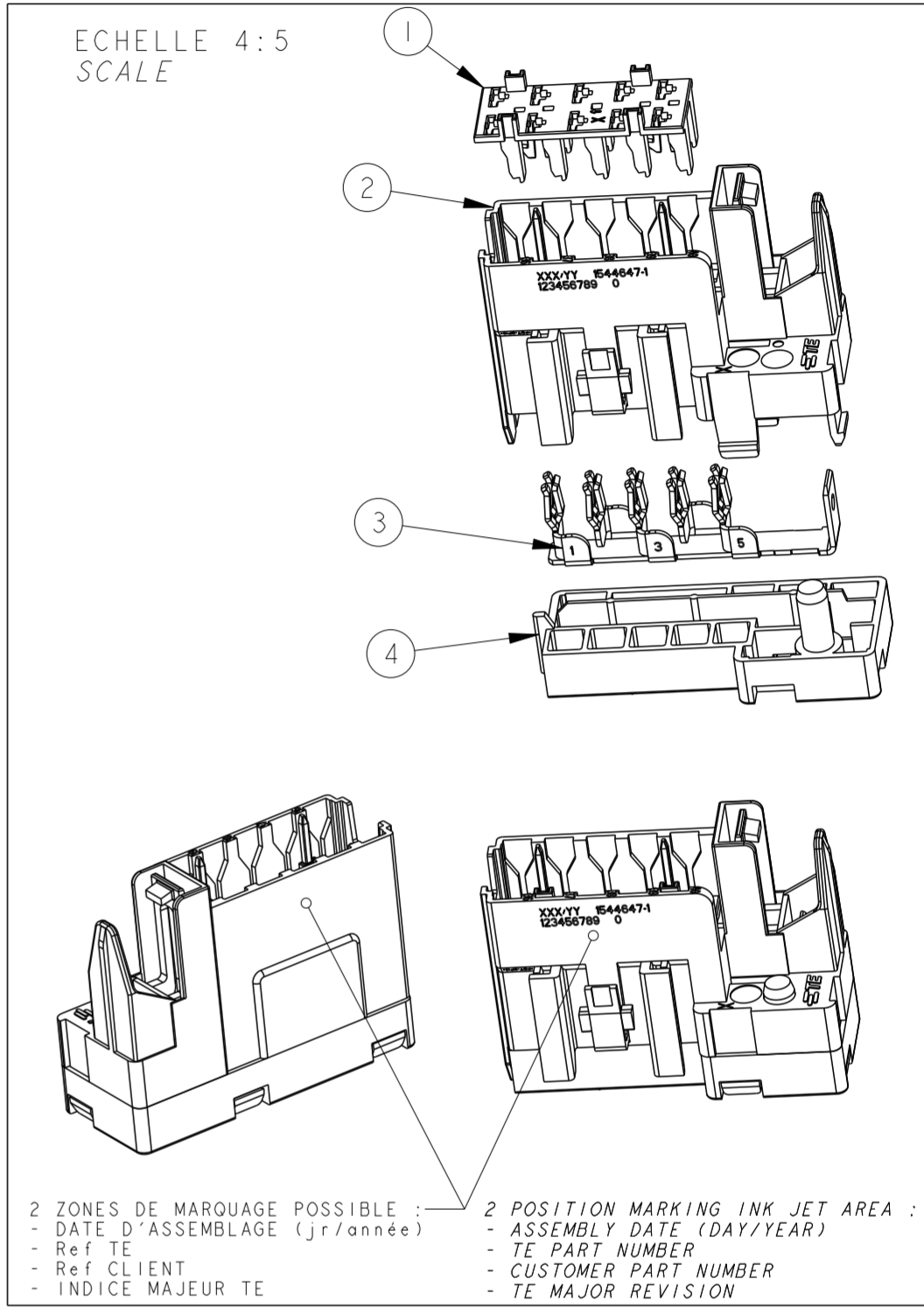
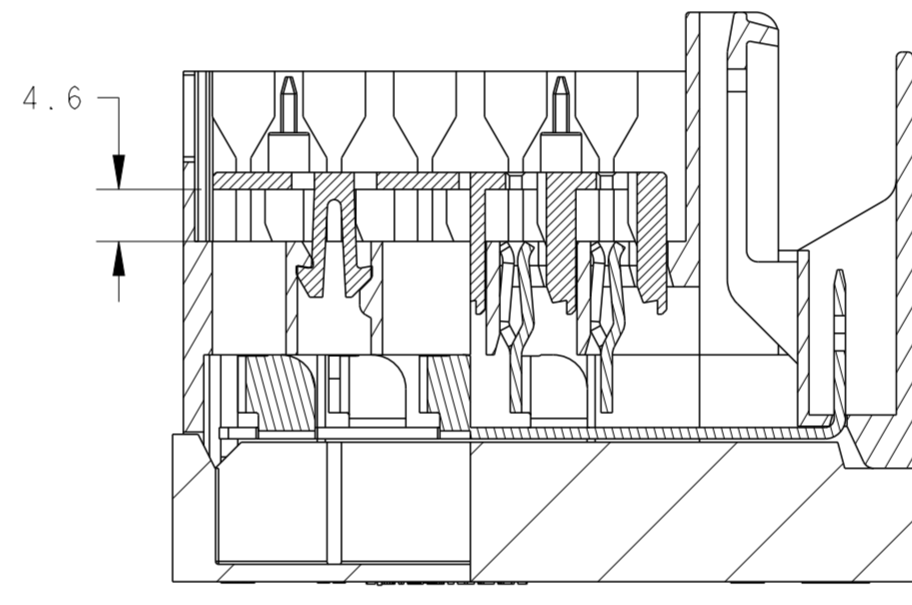
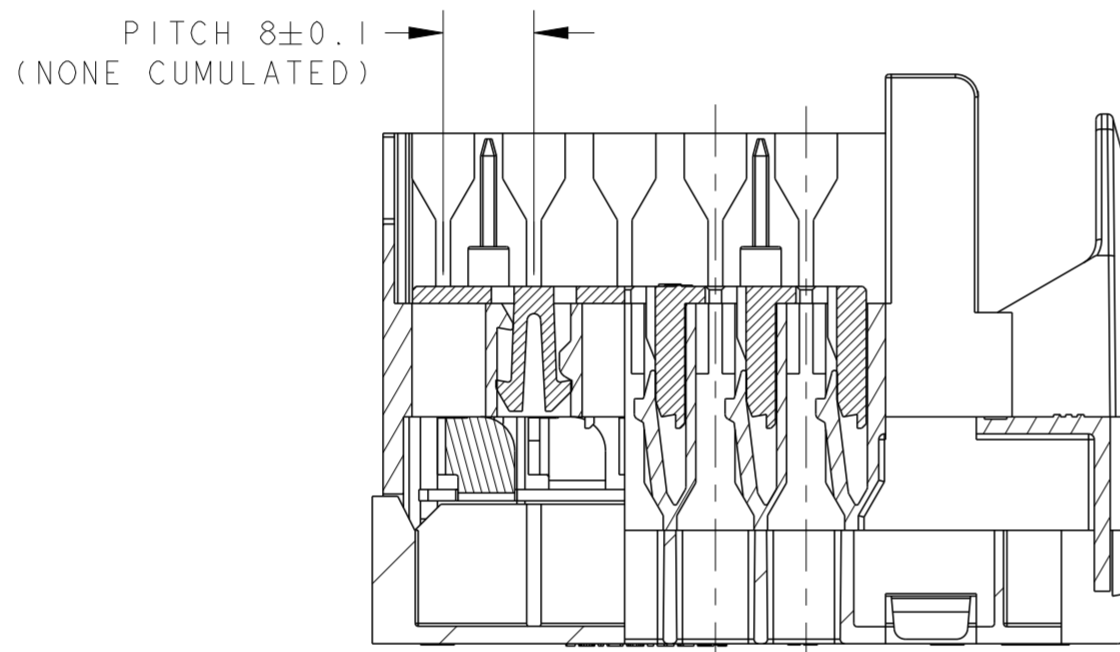
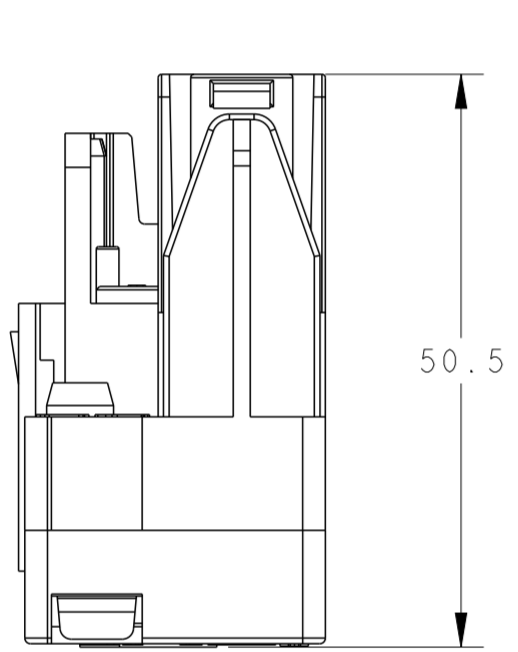


VS POSITION FERME  
 DV CLOSED POSITION

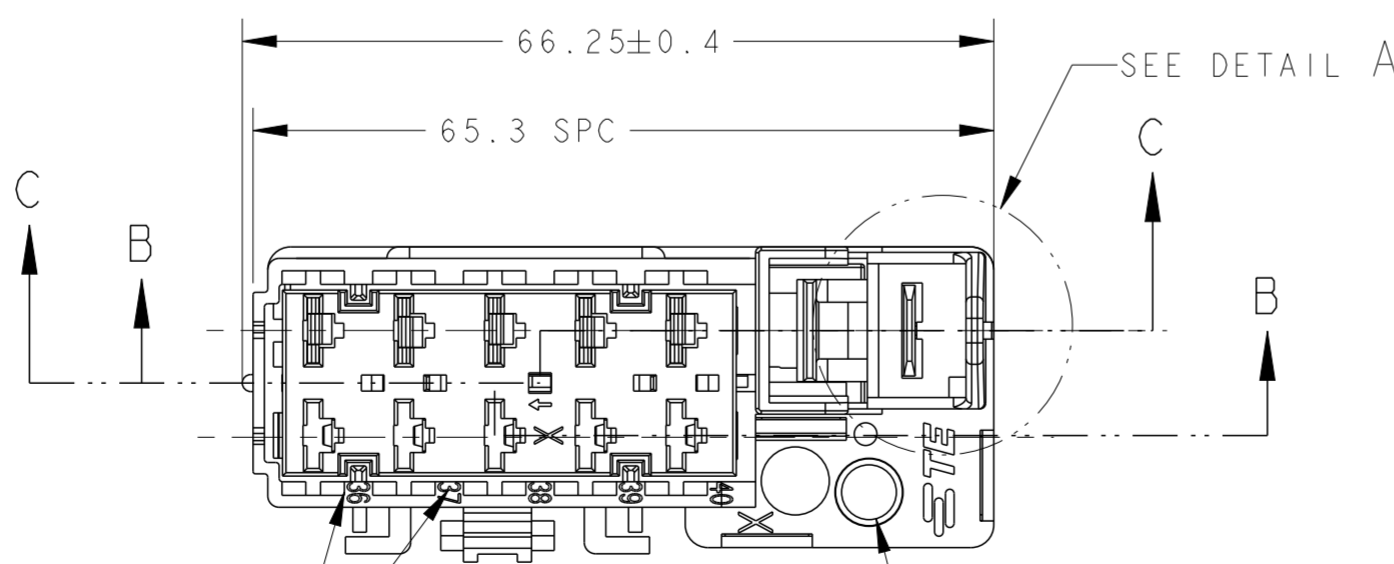
VS POSITION DE LIVRAISON  
 DV DELIVERY POSITION

SECTION B-B

SECTION C-C



5 CAVITIES FOR SPT5 TERMINALS



REPERAGES AUTO FUSIBLES  
 ATO FUSE IDENTIFICATION N°

TEMOIN DE COULEUR VERT  
 GREEN CLOR FOR GOOD POSITION

PART NUMBER REFERENCE	TE
	1544647-1

DESCRIPTION	TE PN
DCS 6,3mm	/
SPT5 2,5 - 4 mm <sup>2</sup>	963894-1
SPT5 1 - 2,5 mm <sup>2</sup>	963893-1
SPT5 0,5 - 1 mm <sup>2</sup>	963892-1
APPLIED TERMINALS	

NOTA					
	DESCRIPTION	DESIGNATION	MATIERE MATERIAL	COULEUR COLOR	Nbr. Qty.
1	SECONDARY LOCK	VERROU SECONDAIRE	PA 66 30% GF	JAUNE YELLOW	1
2	FUSE HOUSING	PORTE FUSIBLES	PBT 10% GF	NOIR BLACK	1
3	LYRE 5 WAY	REPARTITEUR 5 VOIES	UE4P OR CuFe2P PRE-TINNED	NA	1
4	COVER	FOND DE PROTECTION	PBT 10% GF	VERT GREEN	1

THIS DRAWING IS A CONTROLLED DOCUMENT.  
 CE PLAN EST UN DOCUMENT CONTROLE PAR TYCO ELECTRONICS. IL EST SUSCEPTIBLE D'ETRE REVISE. CONTACTER LE SERVICE TECHNIQUE DE TYCO ELECTRONICS POUR OBTENIR LA DERNIERE REVISION.

DIMENSIONS: mm

TOLERANCES UNLESS OTHERWISE SPECIFIED: (SUIV NB DE DECIMALES)  
 0 PLC/DEC: ±  
 1 PLC/DEC: ±0.20  
 2 PLC/DEC: ±0.20  
 3 PLC/DEC: ±0.20  
 4 PLC/DEC: ±0.20  
 ANGLES: ±2°

MATERIAL/MATIERE: SEE NOTA

FINISH/FINITION: SEE NOTA

DWN/DESSINE: P.CHARLES 22MA103  
 CHK/VERIFIE: P.FLORES 22MA103  
 APVD/APPROUE: J.DAHER 23MA103

NAME/TITRE: BOITE HABITACLE 5 FUSIBLES-BFH 5 FUSE BOX 5 FUSES - BFH 5

PRODUCT SPEC: 108-15332  
 SPEC. PRODUIT: 108-15332  
 APPLICATION SPEC: 411-15678

SIZE/FORMAT: A2  
 CAGE CODE: 00779  
 DRAWING NO: 1544647

WEIGHT/MASSE APPROX.: 40 grs

CUSTOMER DRAWING /PLAN CLIENT

UNIQUEMENT POUR REFERENCE

SCALE/ECHELLE: 3:2

SHEET FEUILLE 1 OF DE 1

REV B2

RESTRICTED TO RESERVE A