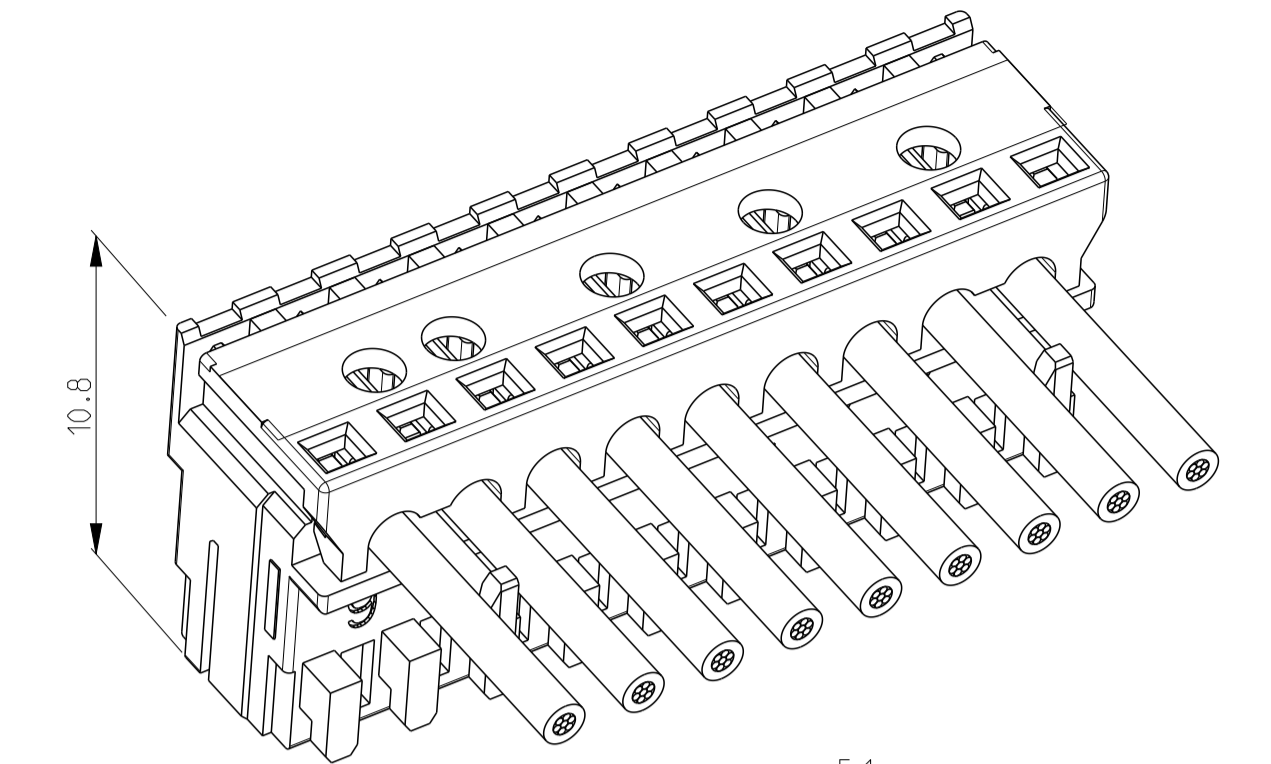
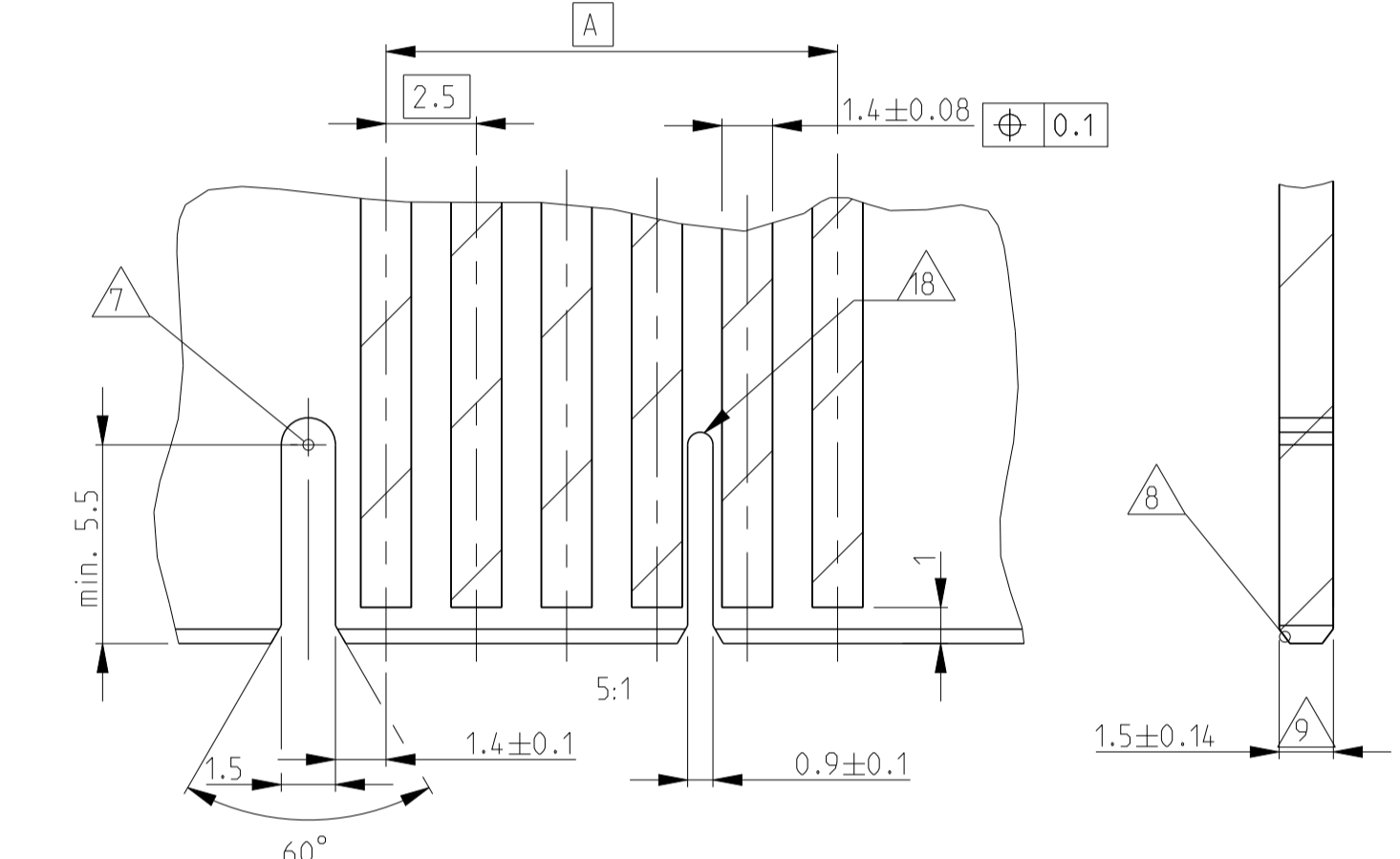


- △29 CAVITY ID STARTS WITH LETTER FOR PARTS PRODUCTION IN QINGDAO PLANT, SUCH AS "A1."
- △28 STRIPE IN YELLOW COLOR WHERE SHOWN PRESENT ON THE PARTS PRODUCED IN TE COLLEGO ONLY
- △27 DIMENSION AVAILABE FOR PART X-2304525-X, X-2304526-X.
- △26 WITH SPECIAL CHAIN FEATURE
- △25 SIDE KEYING ON LAST CAVITY THICKNESS=1.5mm
- △24 SIDE KEYING ON CAVITY 1 THICKNESS=1.5mm
- △19 COLOR STRIP ON COVER OF HOUSING. NOT THE COLOR OF HOUSING.
- △18 SLOT, THICK, BETWEEN CAVITIES
- △17 KEYING, THICK, BETWEEN POSITION. THICKNESS 0.7mm
- △16 SLOT, SLIM, FOR SIDE KEYING, LAST CAVITY
- △15 SLOT, SLIM, FOR SIDE KEYING, SIDE CAVITY 1
- △14 SIDE KEYING, SLIM, ON LAST CAVITY. THICKNESS 0.45mm
- △13 SIDE KEYING, SLIM, ON CAVITY 1. THICKNESS 0.45mm
- △12 KEYING SLIM BETWEEN POSITIONS. THICKNESS 0.45mm
- △11 PRELIMINARY PART NOT RELEASED FOR PRODUCTION
- △10 TE LOGO
- △9 INCLUSIVE COPPER LOADING
- △8 PCB PREFERABLY CHAMFERED
- △7 SLOT, THICK, FOR SIDE KEYING
- △6 SIDE KEYING, THICK, ON LAST CAVITY. THICKNESS 0.7mm
- 5 WIRE RANG: 0.22-0.35mm² SEE APPLICATION SPEC. 114-18467
- △4 IEC60695-2-11 / IEC60335-1 GLOW WIRE TEST 750 °C W WITHOUT FLAME
- △3 X..CAVITY LOADED WITH CONTACT
O..CAVITY WITHOUT CONTACT
- 2 MATING PART: PCB (WITH FRAMES ACC. RAST 2.5 E.G. PN 964 575/576
TAB HEADER (FOR EXAMPLE: X-1971921/922-Y)
- △1 KEYING RIBS: CUTTING WITH TERMINATION MACHINE POSSIBLE

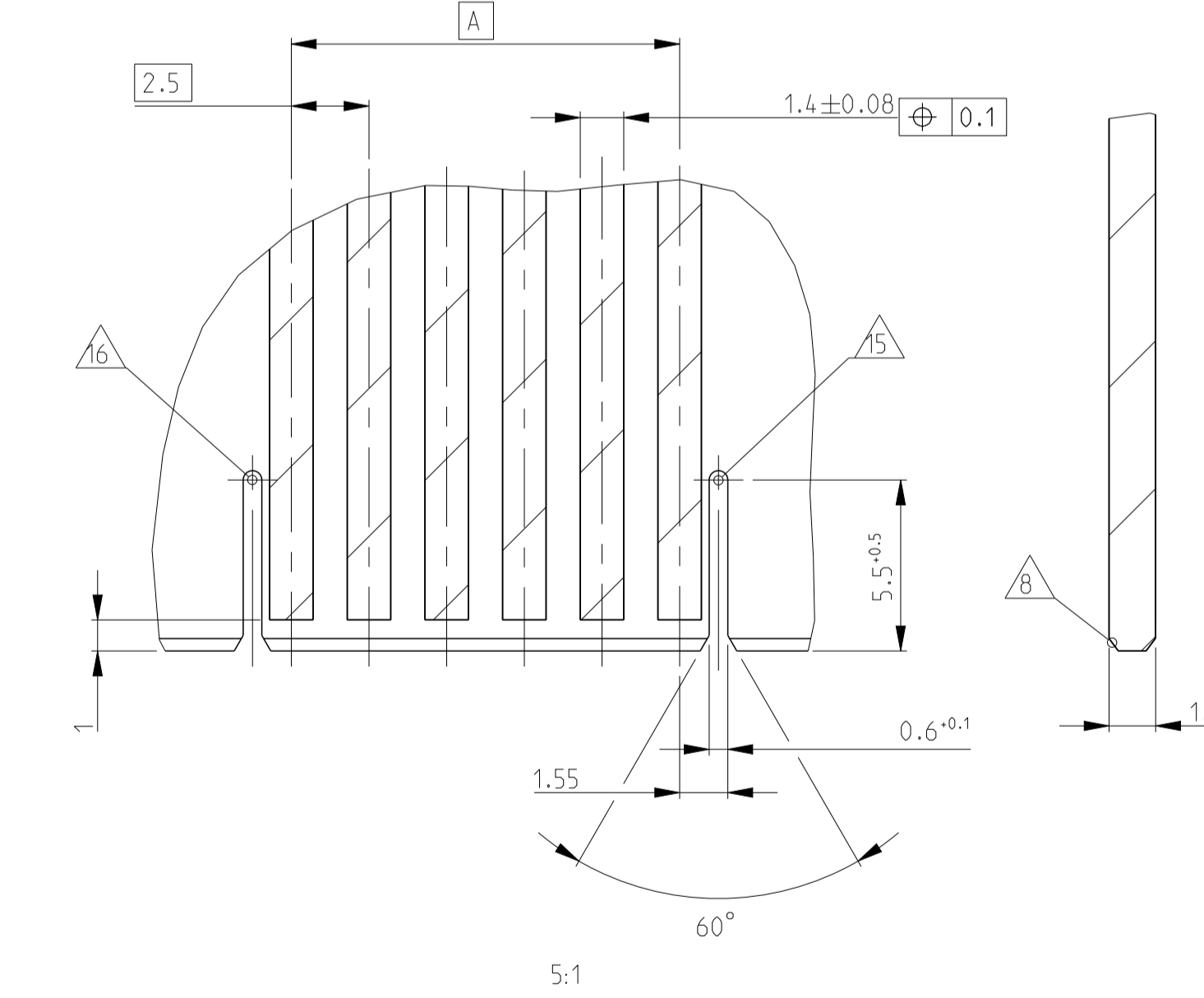
LOC	DIST	REVISIONS					
A1	-	P	LTM	DESCRIPTION	DATE	DWN	APVD
		D69		ECR-23-194003	01DEC2023	SP	FL
		D70		ECR-24-198569	31JAN2024	SM	FL
		D71		ECR-24-199300	06FEB2024	TL	FL
		D72		ECR-24-199676	19FEB2024	SP	FL



PCB LAYOUT KEYED / CONNECTED ONLY WITH ADDITIONAL FRAME (THICK KEYING)
Leiterplattenanschluss kodiert / nur in Verbindung mit zusätzlichem Rahmen



PCB LAYOUT KEYED / CONNECTED ONLY WITH ADDITIONAL FRAME (SLIM KEYING)
Leiterplattenanschluss kodiert / nur in Verbindung mit zusätzlichem Rahmen




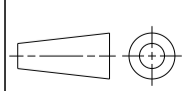
OTHER NOTE SEE SHEET 3 OF 3.

THIS DRAWING IS A CONTROLLED DOCUMENT.		DWN: H. Karabiyik 24MAY2002	 TE Connectivity
		CHK: B. Schnaubelt 24MAY2002	
DIMENSIONS: mm		APVD: T. Klenner 24MAY2002	NAME: AMP DUOPLUG 2.5 MARK II FEMALE CONNECTOR 3-20 POSITION SELECTIVE LOADED
TOLERANCES UNLESS OTHERWISE SPECIFIED:		PRODUCT SPEC: 108-18785	
0 PLC ±0.2 1 PLC ±0.2 2 PLC ±0.2 3 PLC ±0.2 4 PLC ±0.2 ANGLES ±°		APPLICATION SPEC: 114-18467	SIZE: A1 CAGE CODE: 00779 DRAWING NO: 1534798
MATERIAL: -		WEIGHT: -	
		Customer Drawing	SCALE: 5:1 SHEET: 1 OF 4

LOC	DIST	REVISIONS				
		P	LTN	DATE	DWN	APVD
A1	-	-	-	SEE SHEET 1	-	-

GWEPT 750°C NO FLAME & UL94-V2, TIN PLATED VERSION																																						
Color	20	19	18	17	16	15	14	13	12	11	10	9	8	7	6	5	4	3	2	1	POS. Polzahl	DIM A	DIM B	25	24	17	12	14	13	6	PN Bestell-Nr.							
BLUE								X	0	X	X	X	X	X	X	X	X	X	X	X	13	30	34.9									2/3	-	-	-	5-1534799-3		
										X	X	X	0	X	0	X	0	X	0	X	11	25	29.9										9/10	-	-	-	6-1534799-1	
BLUE										X	0	X	X	0	X	0	X	0	X	10	22.5	27.4											-	-	-	6-1534798-0		
																					7	15	19.9											-	-	-		
GREEN														X	X	X	0	X	0	X	6	12.5	17.4											-	-	-	8-1534798-7	
																																		-	-	-		
RED																X	0	X	X	0	X													2/3	-	-	-	2-2314657-6

2	SEE TABLE	CONTACT/Kontakt	CuSn	TINNED/verzinkt
1	siehe Tabelle	HOUSING/Federleistengeh.	HIGH TEMP PLASTIC	NATUR/Natur
POS.	PN Bestell-Nr.	DESCRIPTION Beschreibung	MATERIAL	COLOUR/FINISH Farbe/Oberflaeche

THIS DRAWING IS A CONTROLLED DOCUMENT.		DWN H. Karabiyik 24MAY2002	 TE Connectivity
		CHK B. Schnaubelt 24MAY2002	
DIMENSIONS: mm		TOLERANCES UNLESS OTHERWISE SPECIFIED:	NAME
		0 PLC ±0.2	AMP DUOPLUG 2.5 MARK II
		1 PLC ±0.2	FEMALE CONNECTOR 3-20 POSITION
		2 PLC ±0.2	SELECTIVE LOADED
		3 PLC ±	
		4 PLC ±	
		ANGLES ±°	
MATERIAL -		FINISH -	RESTRICTED TO
		WEIGHT -	A1 00779 ©=1534798
		Customer Drawing	SCALE 5:1 SHEET 3 OF 4 REV 072

