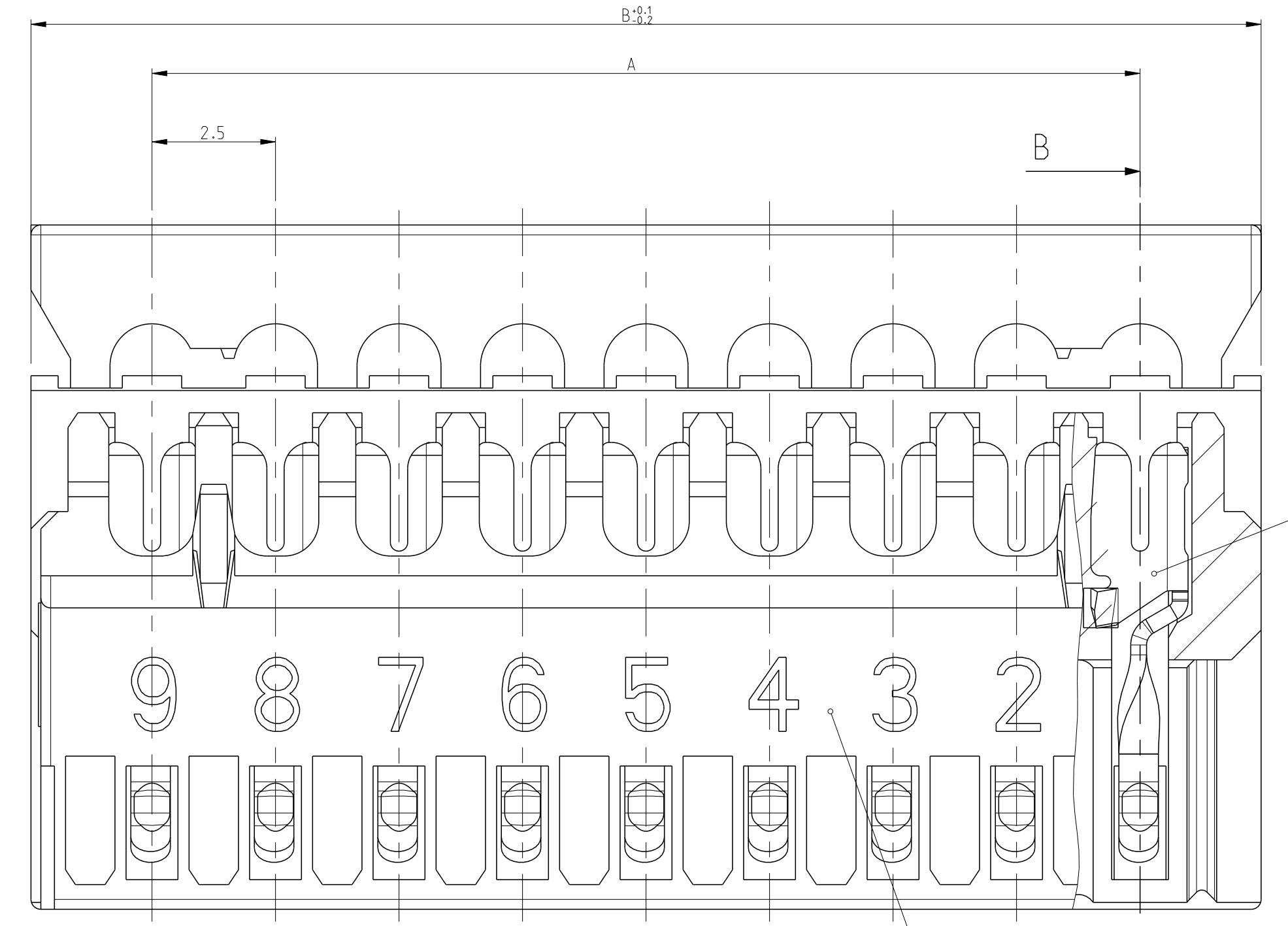
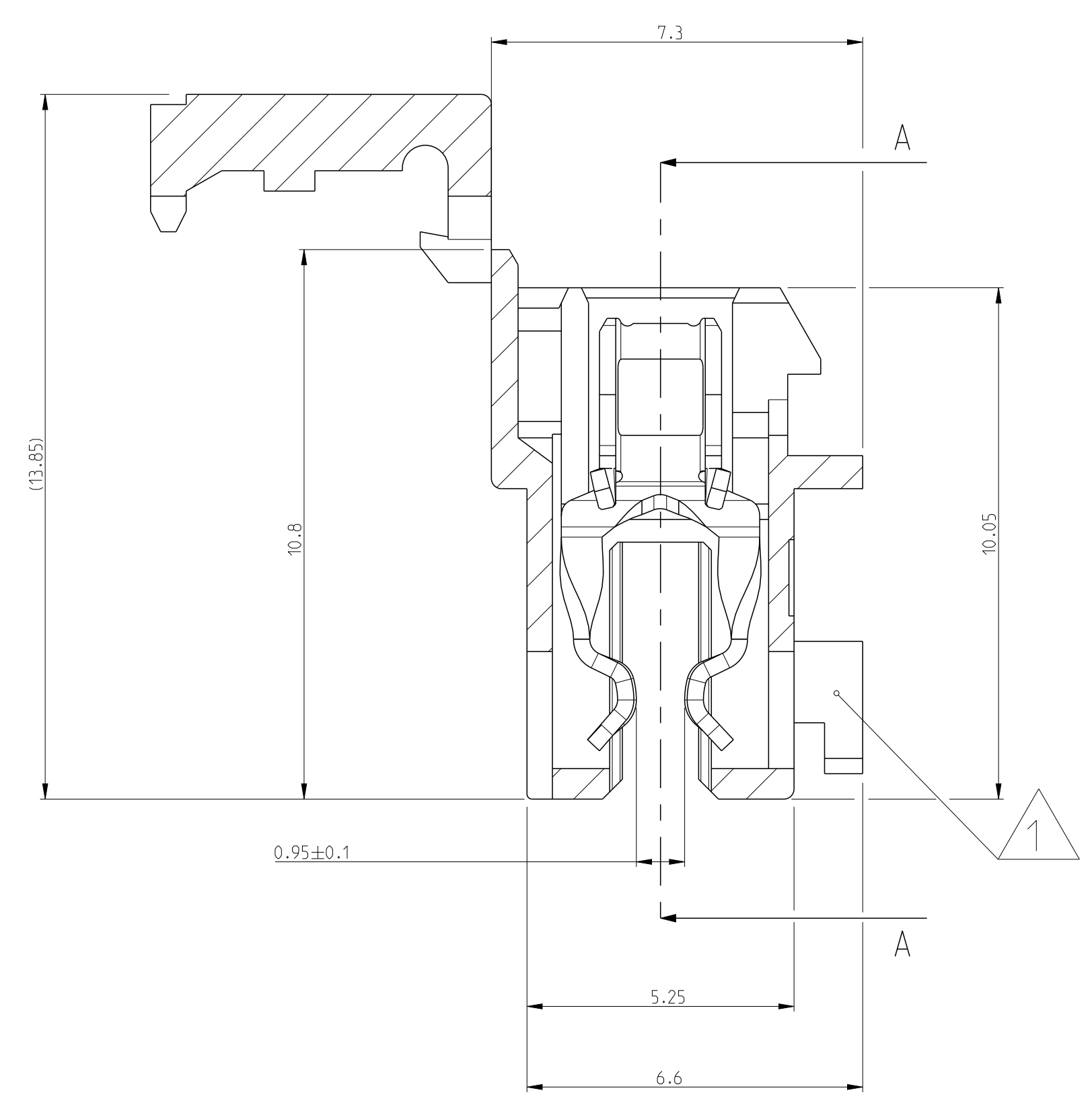


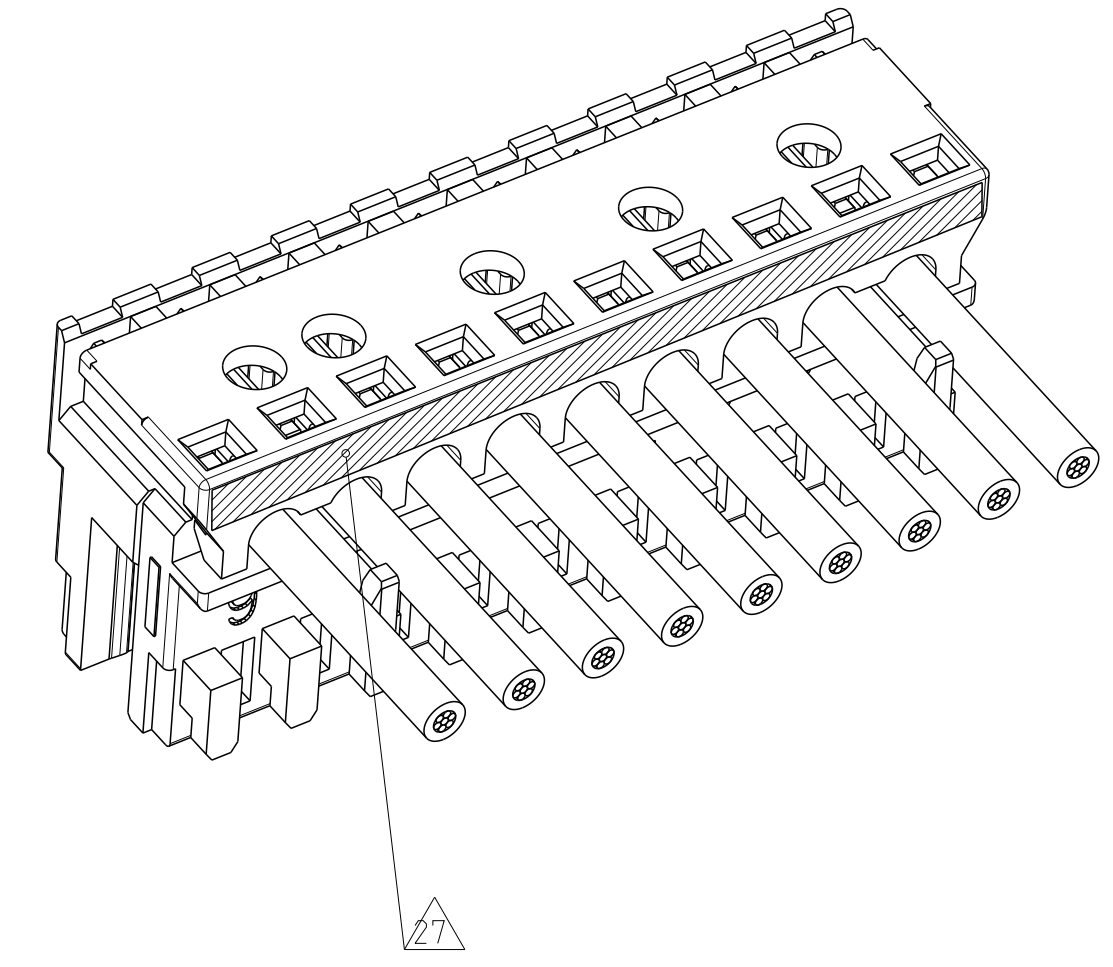
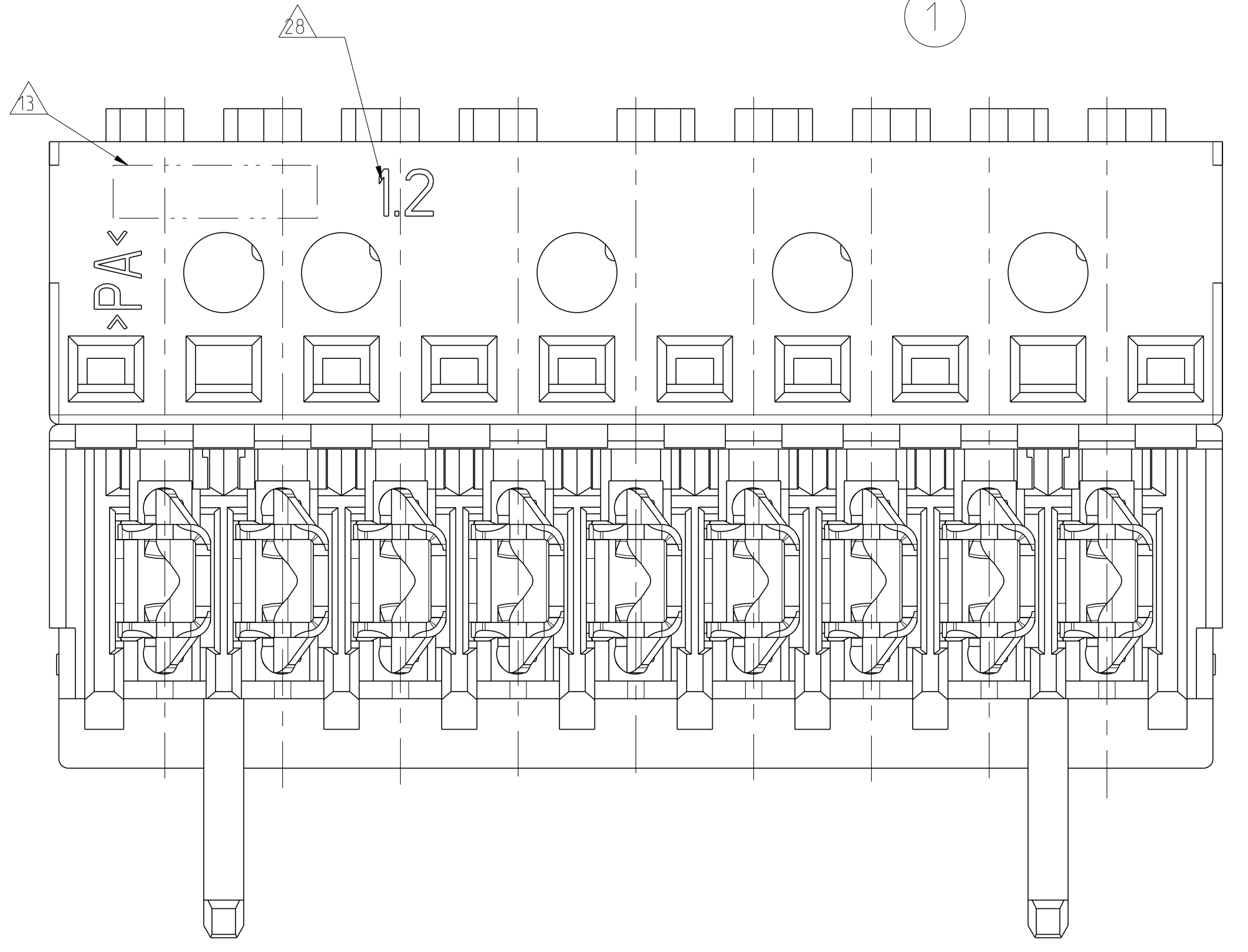
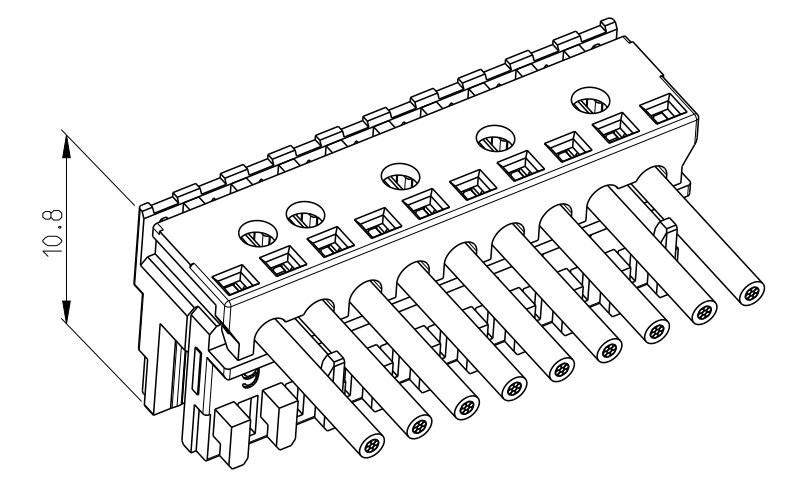
LOC		DIST		REVISIONS			
P	LTN	DESCRIPTION	DATE	DMN	APVD		



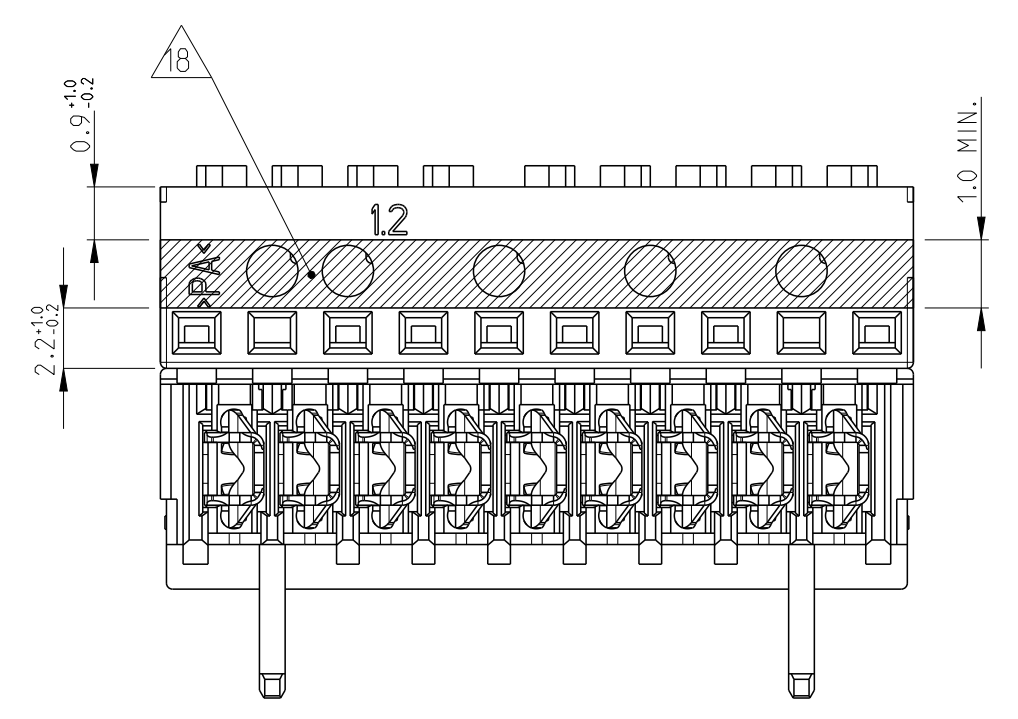
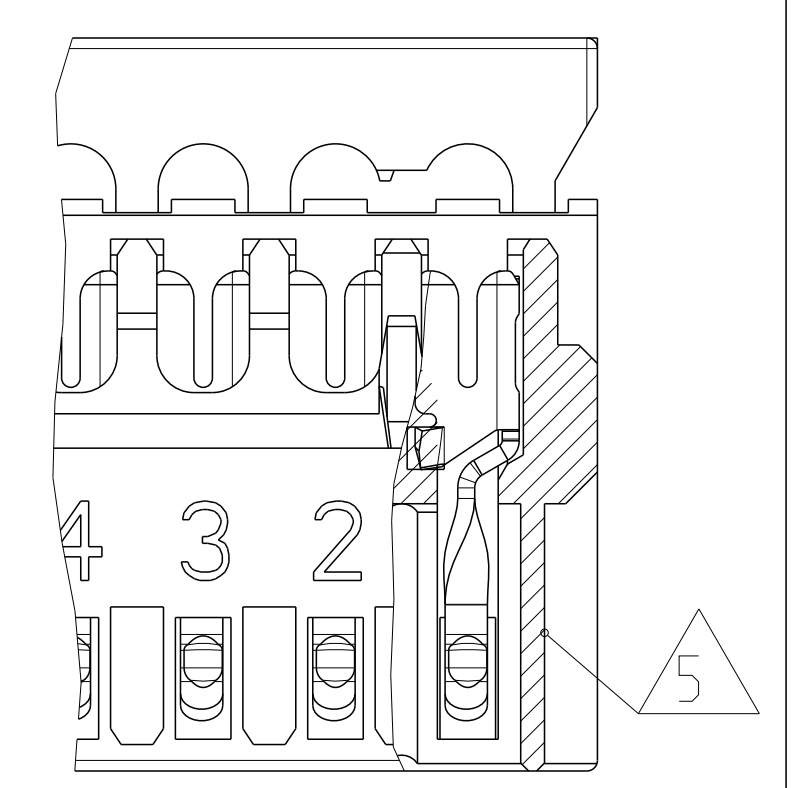
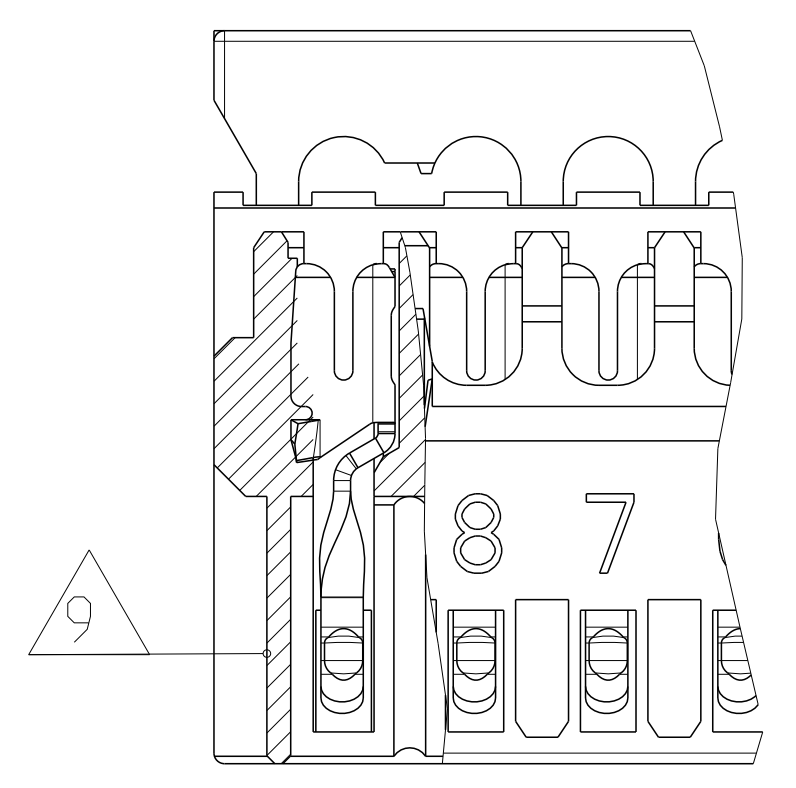
SECTION A-A



SECTION B-B



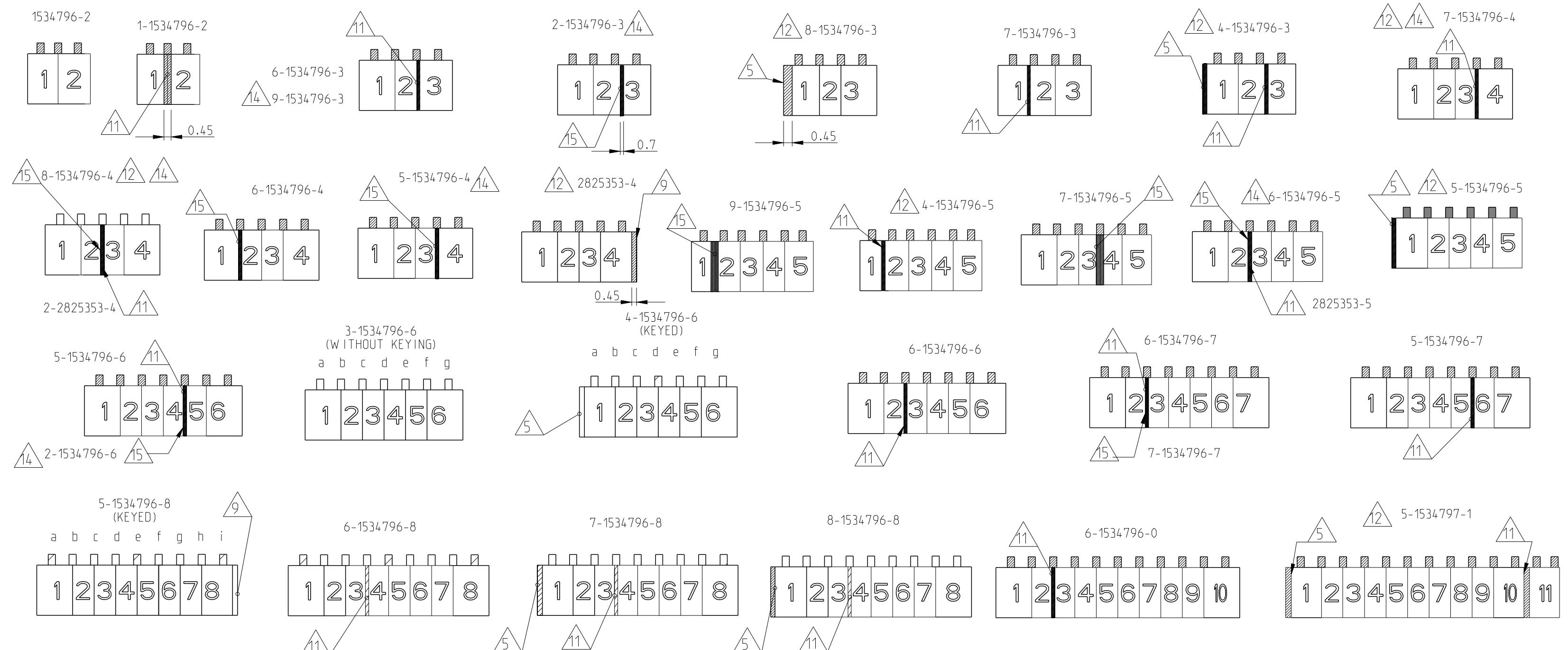
- 31 SIDE KEYING ON LAST CAVITY. THICKNESS 0.7mm
- 30 SIDE KEYING ON CAVITY NO.1. THICKNESS 0.7mm
- 29 P/N RELEASED WITH PARTIAL VALIDATION AND CERTIFICATION
- 28 CAVITY ID STARTS WITH LETTER FOR PARTS PRODUCTION IN QINGDAO PLANT. SUCH AS "A1.1"
- 27 STRIPE IN YELLOW COLOR WHERE SHOWN. PRESENT ON THE PARTS PRODUCED IN TE COLLEGNO ONLY
- 26 DIMENSION AVAILABLE ONLY FOR PART X-2304525-X. X-2304526-X.
- 25 WITH SPECIAL CHAIN FEATURE
- 24 SIDE KEYING ON LAST CAVITY. THICK-1.5mm
- 23 -
- 19 SIDE KEYING. THICK. ON CAVITY No.1. THICKNESS 1.5mm
- 18 COLOR STRIP ON COVER OF HOUSING. NOT THE COLOR OF HOUSING.
- 17 SLOT FOR KEYING. SLIM. BETWEEN POSITION
- 16 SLOT FOR KEYING. THICK. BETWEEN POSITION
- 15 KEYING. THICK. BETWEEN POSITION. THICKNESS 0.7mm
- 14 COLOR CODE
- 13 TE LOGO
- 12 PRELIMINARY PART NOT RELEASED FOR PRODUCTION
- 11 KEYING. SLIM. BETWEEN POSITION. THICKNESS 0.45mm
- 10 SLOT FOR SIDE KEYING. ON LAST CAVITY
- 9 SIDE KEYING. SLIM. ON LAST CAVITY. THICKNESS 0.45mm
- 8 INCLUSIVE COPPER LOADING
- 7 PCB PREFERABLY CHAMFERED
- 6 SLOT FOR SIDE KEYING. ON CAVITY NO 1
- 5 SIDE KEYING. ON CAVITY NO. 1. THICKNESS 0.45mm
- 4 WIRE RANGE: 0.22-0.35mm² SEE APPLICATION SPEC. 114-18467
- 3 IEC 60695-2-11 / IEC 60335-1 GLOW WIRE TEST 750 °C WITHOUT FLAME
- 2 MATING PART: PCB (WITH FRAMES ACC. RAST 2.5 E.G. PN 964 575/576) TAB HEADER (FOR EXAMPLE: X-1971817/818-Y)
- 1 KEYING RIBS; CUTTING WITH TERMINATION MACHINE POSSIBLE



THIS DRAWING IS A CONTROLLED DOCUMENT.		DMN H. Karabiyik 24MAY2002	TE Connectivity	
DIMENSIONS: mm		CHK B. Schnaubelt 24MAY2002	NAME AMP DUOPLUG 2.5 MARK II FEMALE CONNECTOR 2-20 POSITION	
TOLERANCES UNLESS OTHERWISE SPECIFIED:		APVD T. Klenner 24MAY2002	PRODUCT SPEC 108-18785	
0 PLC ±0.2		APPLICATION SPEC		
1 PLC ±0.2		114-18467		
2 PLC ±0.2		SIZE A1 00779		
3 PLC ±0.2		CAGE CODE C=1534796		
4 PLC ±0.2		DRAWING NO 100779		
ANGLES ±°		SHEET 1 OF 4		
FINISH		RESTRICTED TO		
MATERIAL		WEIGHT		
		Customer Drawing		
		SCALE 10:1		
		REVISION U88		

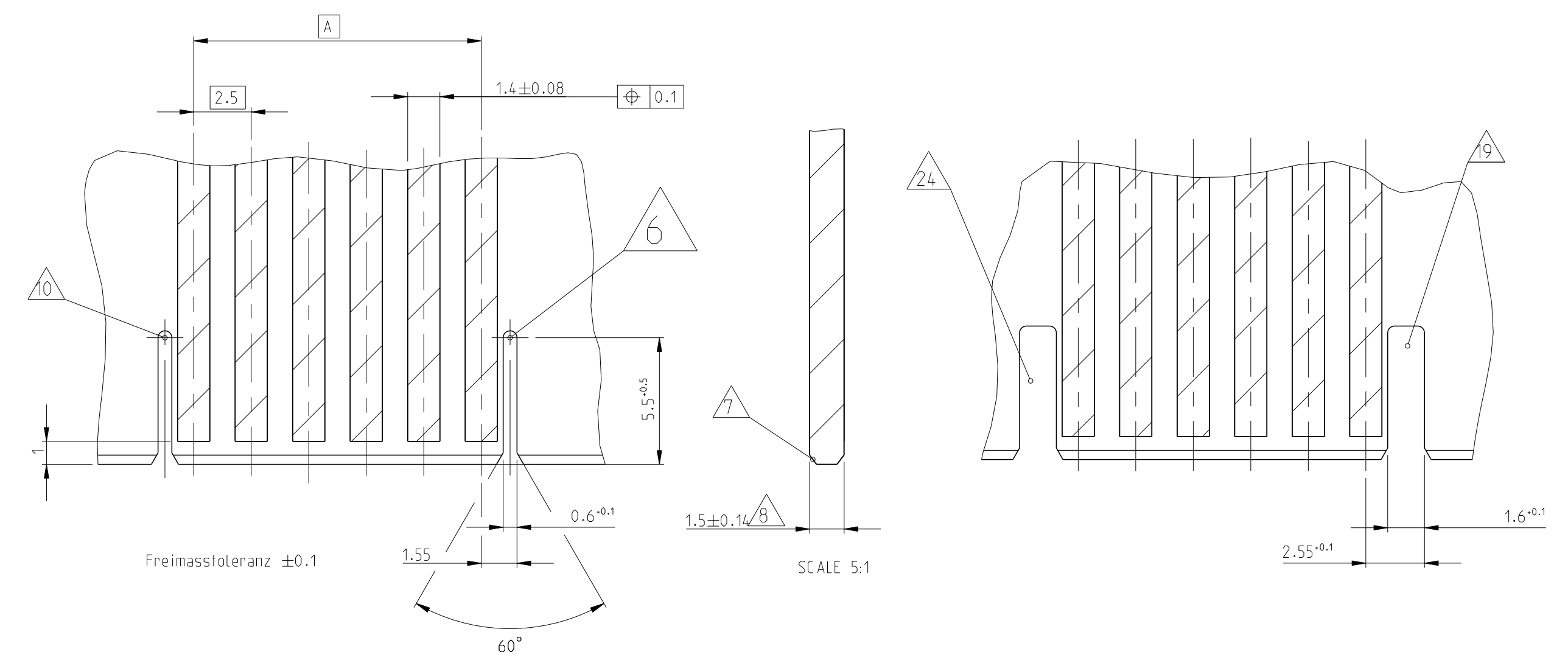
LOC	DIST	REV	DATE	BY	APPV
A1	-	1	-	-	-
SEE SHEET 1					

KEYING PLAN (EXAMPLES)
 Kodierschema (Beispiele)

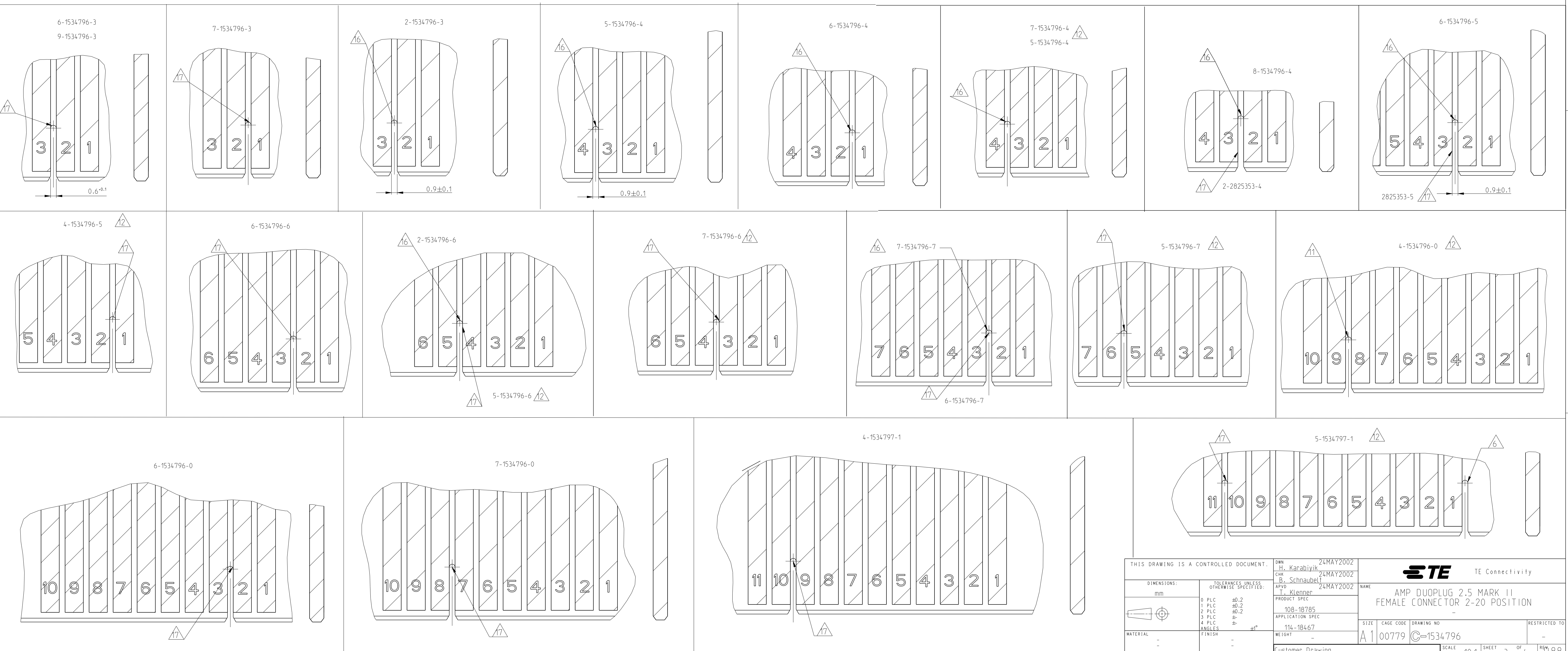


PCB LAYOUT KEYED / CONNECTED ONLY WITH ADDITIONAL FRAME

Leiterplattenanschluss kodiert / nur in Verbindung mit zusätzlichem Rahmen

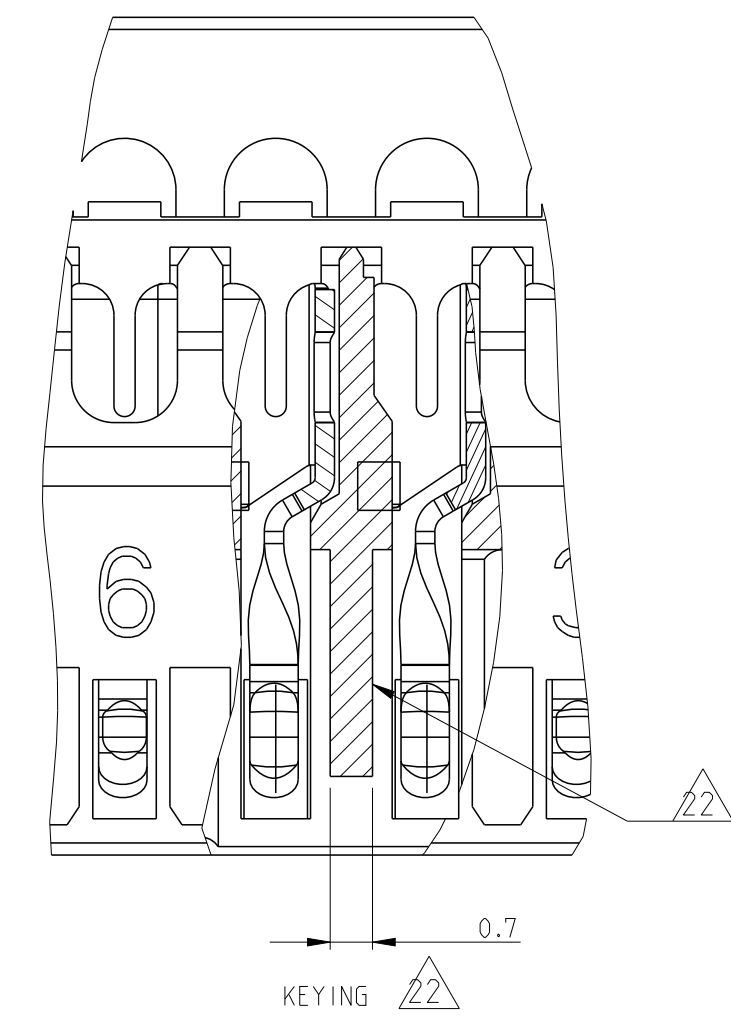
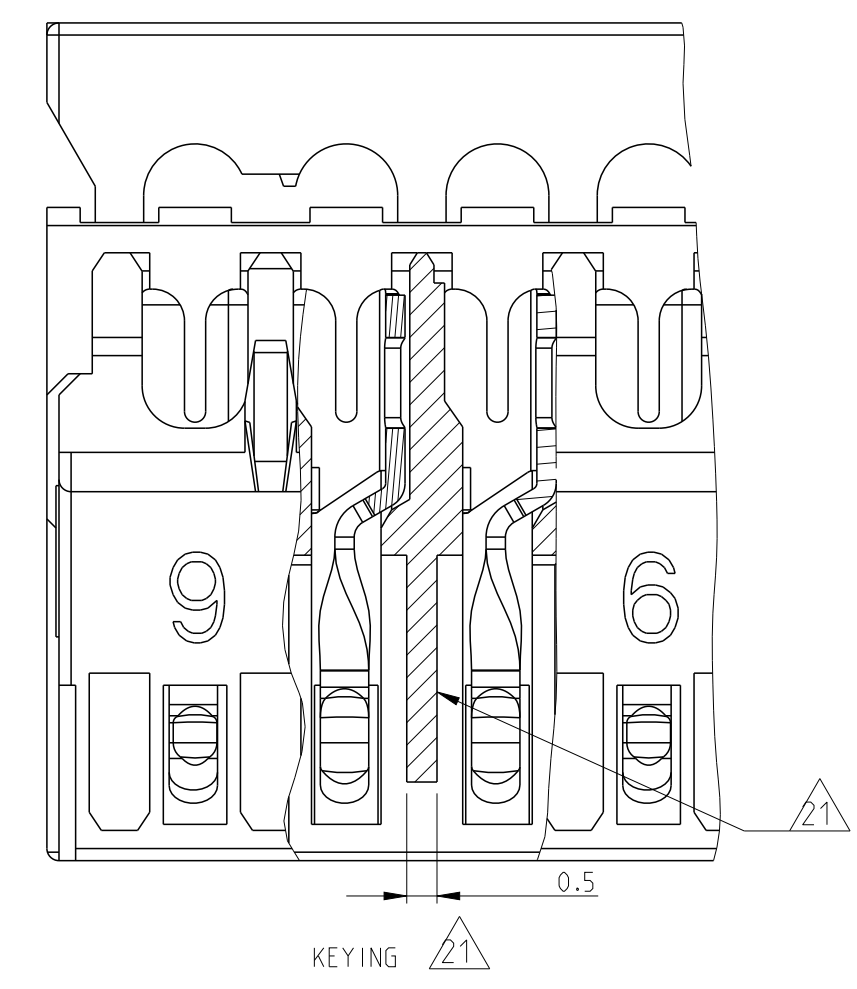


PCB LAYOUT FOR KEYING BETWEEN POSITION



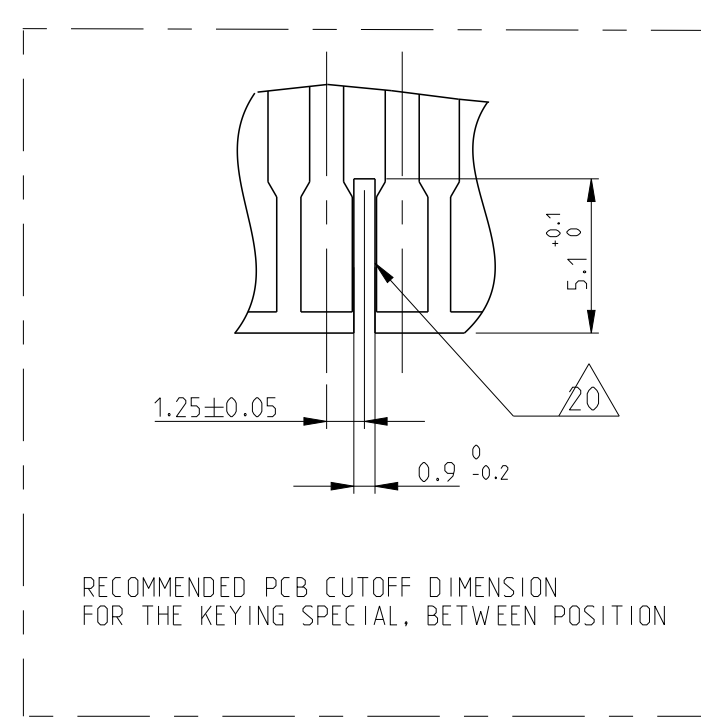
THIS DRAWING IS A CONTROLLED DOCUMENT.		OWN: H. Karabiyik 24MAY2002	TE Connectivity NAME: AMP DUOPLUG 2.5 MARK II FEMALE CONNECTOR 2-20 POSITION SIZE: 114-18467 WEIGHT: - Customer Drawing
DIMENSIONS: mm		CHK: B. Schnaubelt 24MAY2002	
TOLERANCES UNLESS OTHERWISE SPECIFIED: 0 PLC ±0.2 1 PLC ±0.2 2 PLC ±0.2 3 PLC ±0.2 4 PLC ±0.2 ANGLES ±° FINISH -		PRODUCT SPEC: 108-18785 APPLICATION SPEC: - SCALE: 10:1 SHEET: 3 OF 4 U88	

LOC	DIST	REVISIONS			
		REV	DATE	BY	APPV
A1	-	-	SEE SHEET 1	-	-



PA GF. GWEPT 750°C NO FLAME & UL94-V0. TIN PLATED VERSION												
Color Code	POS. Polzahl	DIM A	DIM B	KEYING 11	KEYING 15	KEYING 22	KEYING 21	KEYING 24	KEYING 19	KEYING 9	KEYING 5	PN Bestell-Nr.
		20	47.5	52.4	3/4							2-2304526-0
Blue		20	47.5	52.4				3/4		X		1-2304526-0
		14	32.5	37.4								2304526-4
		13	30	34.9						X		2-2304526-3
Blue		13	30	34.9					X			1-2304526-3
		13	30	34.9				2/3				2304526-3
		12	27.5	32.4								2304526-2
		10	22.5	27.4								1-2304525-0
		9	20	24.9								3-2304525-9
Blue		8	17.5	22.4								2-2304525-8
		8	17.5	22.4								1-2304525-8
Brown		8	17.5	22.4				2/3				2304525-8
		7	15	19.9								2304525-7
Black		6	12.5	17.4								4-2304525-6
GREEN		6	12.5	17.4				1/2				3-2304525-6
Red		6	12.5	17.4				2/3				2-2304525-6
		6	12.5	17.4								1-2304525-6
Blue		6	12.5	17.4							4/5	2304525-6
		5	10	14.9	4/5							5-2304525-5
		5	10	14.9		1/2						4-2304525-5
Green		5	10	14.9							3/4	2-2304525-5
Brown		5	10	14.9							2/3	1-2304525-5
		5	10	14.9								2304525-5
Orange		4	7.5	12.4				1/2				5-2304525-4
Black		4	7.5	12.4		3/4						4-2304525-4
Blue		4	7.5	12.4								3-2304525-4
		4	7.5	12.4								2-2304525-4
Brown		4	7.5	12.4							1/2	1-2304525-4
Black		4	7.5	12.4							3/4	2304525-4
		3	5	9.9						X		7-2304525-3
		3	5	9.9						X	X	4-2304525-3
Red		3	5	9.9				2/3				3-2304525-3
		3	5	9.9								2-2304525-3
		3	5	9.9							X	1-2304525-3
Black		3	5	9.9							1/2	2304525-3
		2										PN
		1										Bestell-Nr.

- KEYING. SPECIAL THICK. BETWEEN POSITION. THICKNESS 0.7mm
- KEYING. SPECIAL THIN. BETWEEN POSITION. THICKNESS 0.5mm
- SLOT FOR KEYING SPECIAL. BETWEEN POSITION



THIS DRAWING IS A CONTROLLED DOCUMENT.

OWN: H. Karabiyik 24MAY2002
 CHK: B. Schnaubelt 24MAY2002
 APVD: T. Klenner 24MAY2002

TE Connectivity

NAME: AMP DUOPLUG 2.5 MARK II FEMALE CONNECTOR 2-20 POSITION

PRODUCT SPEC: 108-18785
 APPLICATION SPEC: 116-18467

SIZE: A1 CAGE CODE: 00779 DRAWING NO: 1534796 RESTRICTED TO: -

MATERIAL: - FINISH: - WEIGHT: -

Customer Drawing SCALE: 10:1 SHEET: 4 OF 4 REV: D88