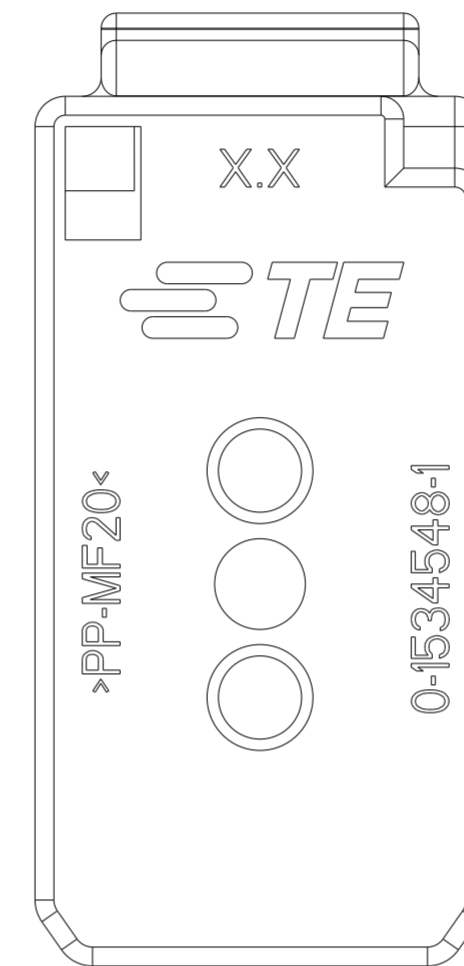
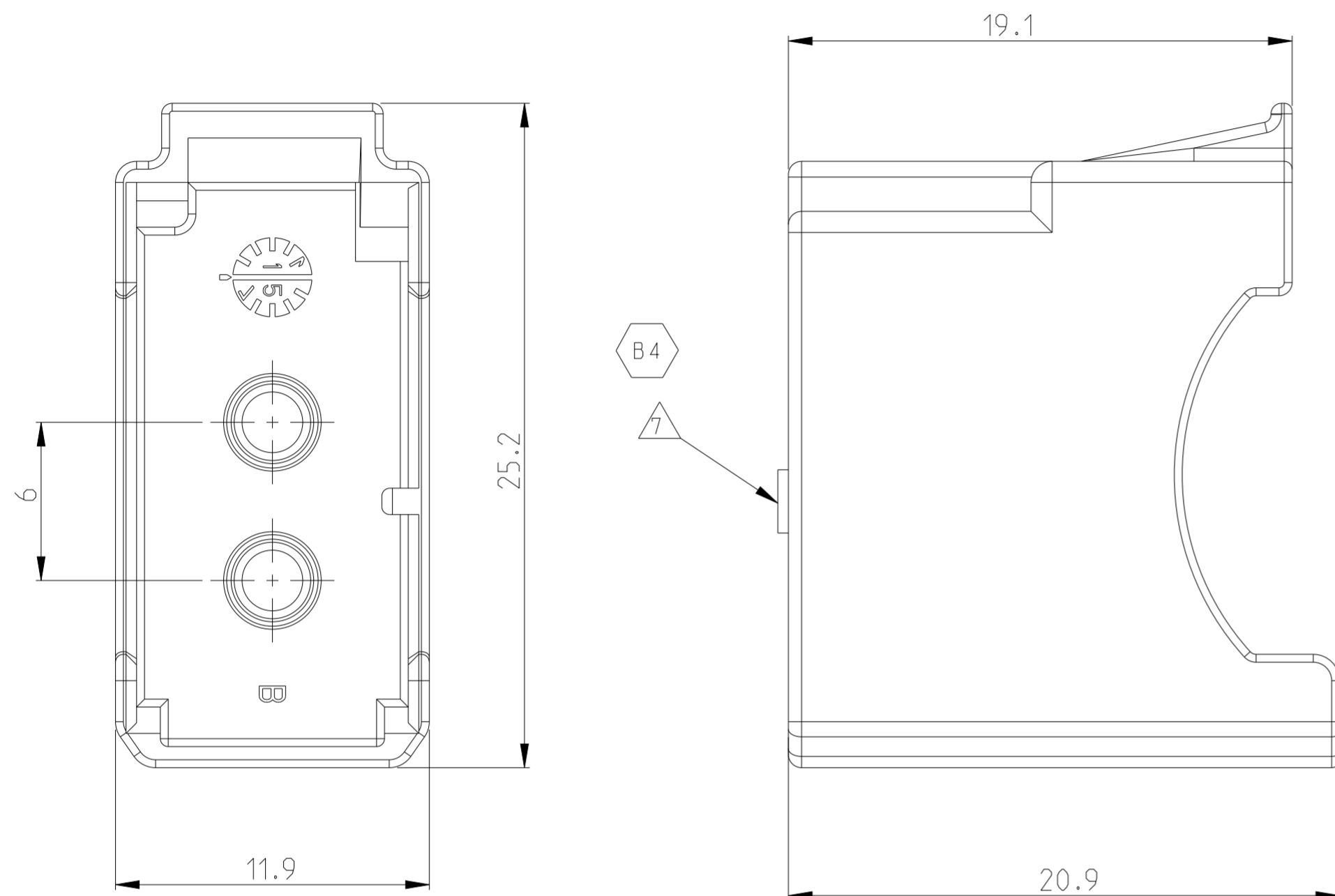


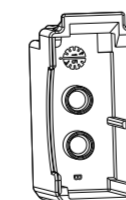
P	LTR	DESCRIPTION	DATE	DWN	APVD
B3		E-15-002492	12FEB2015	RW	MR
B4		PCN-22-150933	30AUG2022	RW	AK



Werkstoff: PP-MF20
MATERIAL: PP-MF20

Bemerkungen
NOTES

- 1 Laengen: DIN 16901-140
LENGTH: DIN 16901-140
- 2 Einzelheiten der Ausfuehrung bleiben dem Hersteller ueberlassen
DETAILS OF DESIGN ARE LEFT TO MANUFACTURER
- 3 Verpackung : Schuettgut
PACKING : LOOSE PIECE
- 4 Zulaessiger Regeneratanteil max. 25%
RECYCLED MATERIAL MAX. 25% PERMISSIBLE
- 5 Massgebend ist nur der deutsche Text
ONLY THE GERMAN LANGUAGE SHALL BE BINDING
- 6 Passend zu Kupplung: PN 1394917 / PN 1355426
SUITABLE FOR MATING CONNECTOR: PN 1394917 / PN 1355426



1:1

B4 7 Erhobenes Feld fuer Anguss, Ausfuehrung werkzeugabhaengig
RAISED FIELD FOR INJECTOR, TOOL DEPENDENT

QTY REQD PER ASSY	PART NO	REV	DESCRIPTION	WEIGHT [g]	COLOUR	ITEM NO
	0-1534548-1	B	Staubschutzkappe Dust cover cap	1.2	schwarz black	1
REVISION OF EACH ASSY NO (WHEN BLANK, USE DWG REVISION)						
PARTS LIST						

THIS DRAWING IS A CONTROLLED DOCUMENT.		DWN P.Riedel 19NOV2001	STE TE Connectivity	
		CHK J.Hahn 21NOV2001		
DIMENSIONS: mm	TOLERANCES UNLESS OTHERWISE SPECIFIED:	APVD -	NAME 2+0 Staubschutzkappe 2+0 dust cover cap	
	0-PLC 1-PLC 2-PLC 3-PLC 4-PLC ANGLES FINISH	PRODUCT SPEC 108-18698	SIZE A2	CAGE CODE -
MATERIAL -		APPLICATION SPEC -	DRAWING NO C-1534548	RESTRICTED TO -
		WEIGHT 1.2 g	SCALE 5:1	SHEET 1 OF 1
		CUSTOMER DRAWING		REV B4