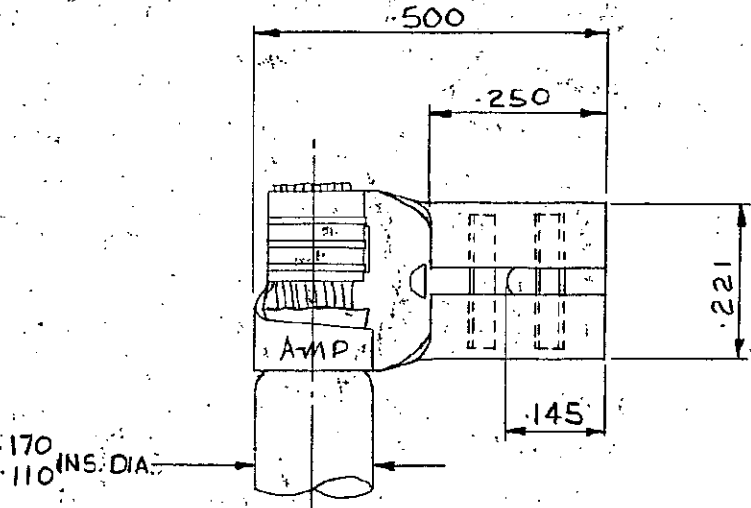


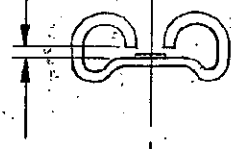
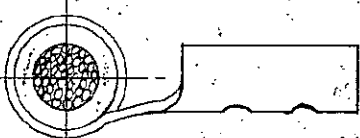
NUMBER 150680

© AIRCRAFT - MARINE PRODUCTS (G.B.) LTD. 1963




CUSTOMER COPY  
FOR REFERENCE ONLY

FITS .032 x .187 TAB



TERMINAL N <sup>o</sup>	FINISH
150680-1	NONE
150680-2	ELECTRO-TIN

DIMENSIONS IN INCHES. DO NOT SCALE PRINT.

	MATERIAL	HEAT TREAT	COATING OR PLATING
	.0126 PHOS. BRONZE		SEE TABLE
	UNLESS OTHERWISE SPECIFIED		
	REMOVE BURRS, BREAK SHARP EDGES 1/64 R. MAX		
	FRACTIONS: ± 1/64      DECIMALS: .000 = ± .015 ANGLES: ± 0° 30'      .0000 = ± .0005		
FIRST USED	WIRE RANGE	CLASS	TYPE
	20-16		AUTOMATIC
P.P.P.	AREA	 AIRCRAFT - MARINE PRODUCTS (GREAT BRITAIN) LTD. LONDON, E.C.1	
DR	J. Seagrave 8.10.63		
CHK	Chadman 9.6.63	LOC	NO
APP		AC-150680	
LTR	REVISION RECORD	ECA	REL
		DATE	NAME
			WIRE TERMINAL 187 SERIES FLAG FASTON