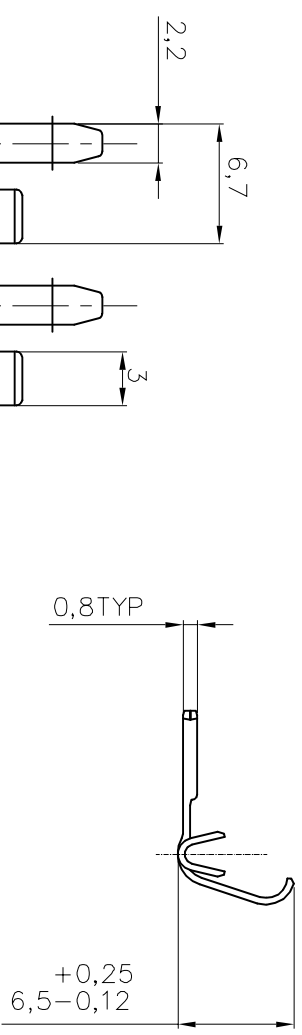
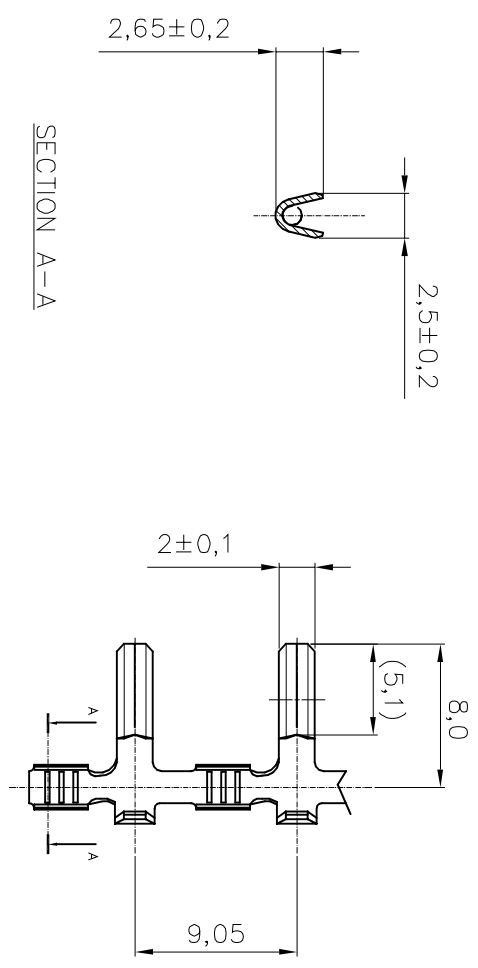


DIST	LOC	P LTR	REVISION/RECORD	DATE	DWN	APVD
	EC					

- NOTES:
- 1. MATERIAL: COPPER ALLOY.
 - 2. CONTINUOUS STRIP ON REELS.
 - 3. APPLICATION DATA:
WIRE: 0.3~0.8 mm²(AWG# 18 ~ AWG# 22).
INSULATION: ϕ 2.8 mm MAX.



TOLERANCES UNLESS OTHER SPECIFIED:		DR	BOBIS WONG	DATE	28-9-2004
0	PLC ± 0.20	CHK	BOBIS WONG	DATE	28-9-2004
1	PLC ± 0.15	APP'D	S. F. SHUM	DATE	28-9-2004
2	PLC ± 0.15	PRODUCT SPEC			
3	PLC ± 0.15	APPLICATION SPEC			
4	ANGLE ±	114-58800			
DIMENSIONS IN mm		RESTRICTED TO	SCALE	SIZE	DWG NO.
		1:1	A3	C	1494218
NAME		2.0 FLAG FASTON TAB			
FINISH		BARE			
FINISH		P/N			
MATERIAL		△			
FINISH		N/A			
Tyco Electronics		Tyco Electronics			
Hong Kong Limited		Hong Kong Limited			
Room 1301, Ocean Centre No. 5 Canton Rd, Tsimshoan Kowloon		Room 1301, Ocean Centre No. 5 Canton Rd, Tsimshoan Kowloon			
Kowloon		Kowloon			

