

4

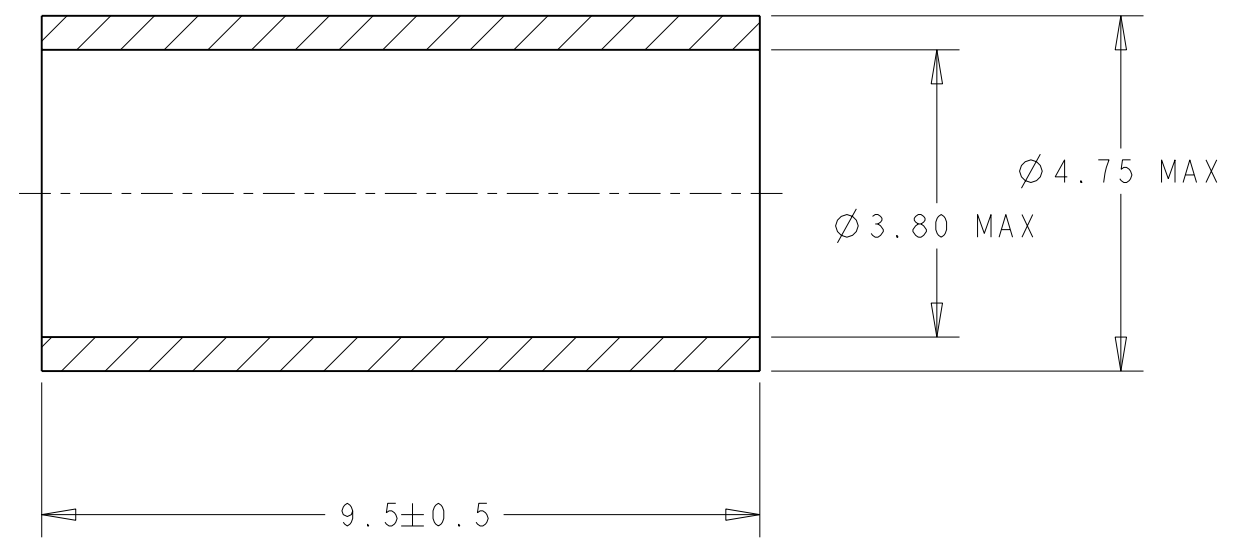
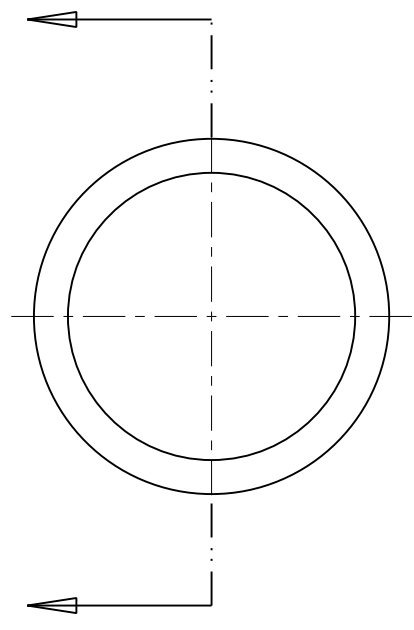
3

2

1

THIS DRAWING IS UNPUBLISHED. RELEASED FOR PUBLICATION 2008
 © COPYRIGHT 2008 BY TYCO ELECTRONICS CORPORATION. ALL RIGHTS RESERVED.

LOC	DIST	REVISIONS					
		P	LTR	DESCRIPTION	DATE	DWN	APVD
A1	00		A	new drawing	11DEC2008	ODC	-



1.25µm min Ni	SfCu	1488167-1
FINISH	MATERIAL	PART NUMBER

THIS DRAWING IS A CONTROLLED DOCUMENT FOR TYCO ELECTRONICS CORPORATION. IT IS SUBJECT TO CHANGE AND THE CONTROLLING ENGINEERING ORGANIZATION SHOULD BE CONTACTED FOR THE LATEST REVISION.		DWN O. De Cloet 11DEC2008	Tyco Electronics Harrisburg, PA 17105-3608	
DIMENSIONS: mm		CHK O. De Cloet 11DEC2008	NAME FERRULE	
TOLERANCES UNLESS OTHERWISE SPECIFIED: 0 PLC ±- 1 PLC ±- 2 PLC ±- 3 PLC ±- 4 PLC ±- ANGLES ±-		APVD -	PRODUCT SPEC -	
MATERIAL SEE TABLE		APPLICATION SPEC -	SIZE A3	RESTRICTED TO -
FINISH SEE TABLE		WEIGHT -	CAGE CODE 00779	DRAWING NO 1488167
CUSTOMER DRAWING			SCALE 10:1	SHEET 1 OF 1 REV A