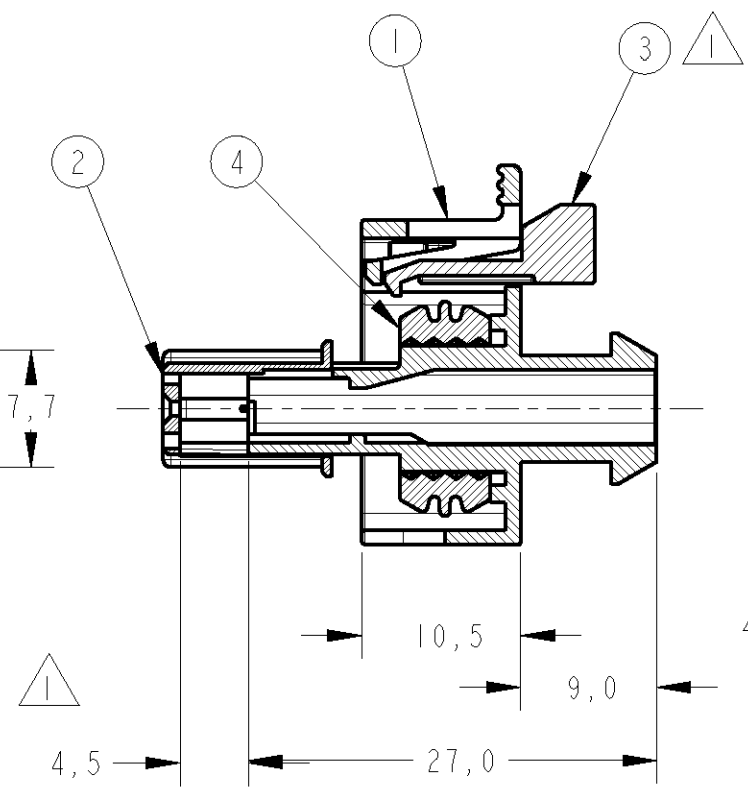
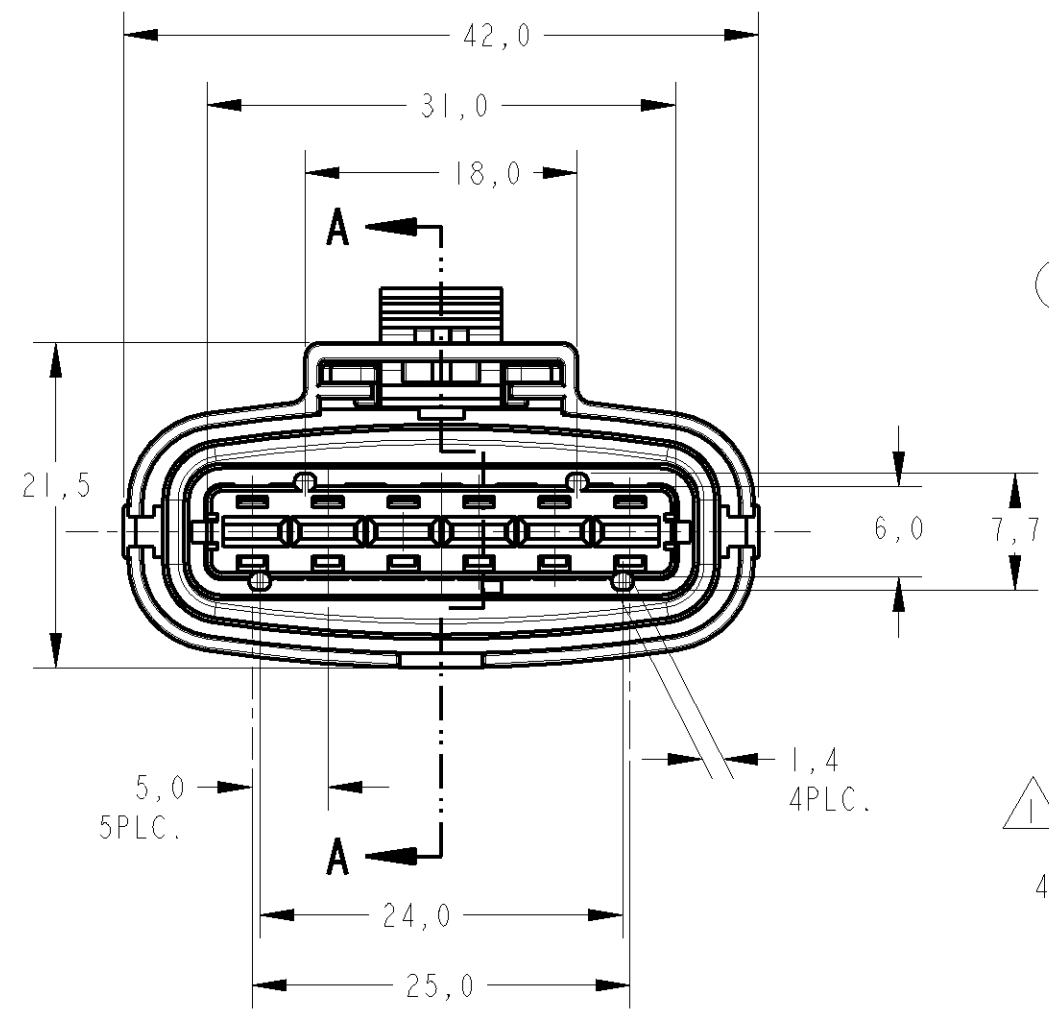


THIS DRAWING IS UNPUBLISHED. RELEASED FOR PUBLICATION 20
 © COPYRIGHT 20 BY TYCO ELECTRONICS CORPORATION. ALL RIGHTS RESERVED.

LOC	DIST	REVISIONS			
P	LTR	DESCRIPTION	DATE	DWN	APVD
AP	-				
	D	REVISED BY ECO-07-012853	12JUN2007	RKTL	GO

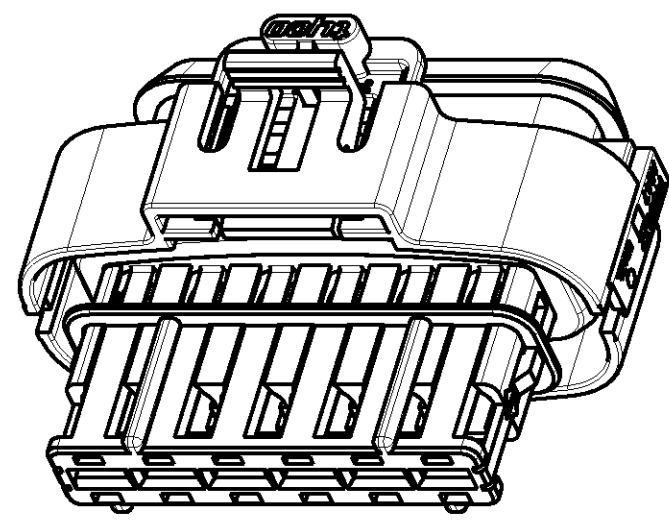
CAD
DO NOT REVISE
EXCEPT BY CAD



SECTION A-A

- △ - POSIÇÃO DE PRÉ TRAVAMENTO DA TRAVA SECUNDÁRIA, FORNECIDO CONFORME MOSTRADO.
- △ - PRE LOCK POSITION OF SECONDARY LOCK, SUPPLIED AS SHOWN.
- 2 - TERMINAIS E SELOS : VIDE DESENHO GRUPO DE PRODUTO - C 1355038.
- 2 - TERMINALS AND SEALS: SEE PRODUCT GROUP DRAWING - C 1355038.

GRAVAÇÃO MARKING
LOGOTIPO TYCO TYCO LOGO
CÓDIGO PAÍS PRODUTOR MANUFACTURER COUNTRY CODE
NOMENCLATURA MATERIAL MATERIAL NOMENCLATURE
NÚMERO COMPONENTE TYCO TYCO COMPONENT NUMBER
NÚMERO CAVIDADE CAVITY NUMBER
IDENTIFICAÇÃO CIRCUITO CIRCUIT IDENTIFICATION
PAÍS PRODUTOR MANUFACTURER COUNTRY
REVISÃO DA PEÇA PART REVISION



PERSPECTIVE VIEW
 SCALE 2:1

REQ. PER ASSY	ITEM	DESCRIPTION	MATERIAL	FINISH
	4	SEAL, 6 POSN., RCPT.	SILICONE	LARANJA/ORANGE
	3	CONECTOR POSITION ASSURANCE	PA 6.6 30%F.V.	AMARELO/YELLOW
	2	SPACER, 6 POSN., RPCT.	PA 6.6 15%F.V.	AMARELO/YELLOW
	1	HOUSING, 6 POSN., RCPT.	PA 6.6 30%F.V.	PRETO / BLACK
1480971	-1	ITEM		

<small>THIS DRAWING IS A CONTROLLED DOCUMENT FOR TYCO ELECTRONICS CORPORATION IT IS SUBJECT TO CHANGE AND THE CONTROLLING ENGINEERING ORGANIZATION SHOULD BE CONTACTED FOR THE LATEST REVISION.</small>		DWN M.R.BRIZ 05SEP2002 CHK P.L.FARIA 06SEP2002 APVD T.W.PRADO 06SEP2002	TYCO ELECTRONICS do Brasil LTDA. São Paulo, Brasil
DIMENSIONS: mm 	TOLERANCES UNLESS OTHERWISE SPECIFIED: 0 PLC ±- 1 PLC ±0,3 2 PLC ±- 3 PLC ±- 4 PLC ±- ANGLES ±1°	NAME: HOUSING ASSY., 6 POSITION SENSOR FLAT, RECEPTACLE. PRODUCT SPEC: - APPLICATION SPEC: - WEIGHT: -	SIZE: A3 CAGE CODE: 00779 DRAWING NO: C-1480971 RESTRICTED TO: -
MATERIAL: -	FINISH: -	CUSTOMER DRAWING	SCALE: 2:1 SHEET: 1 OF 1 REV: D