

4

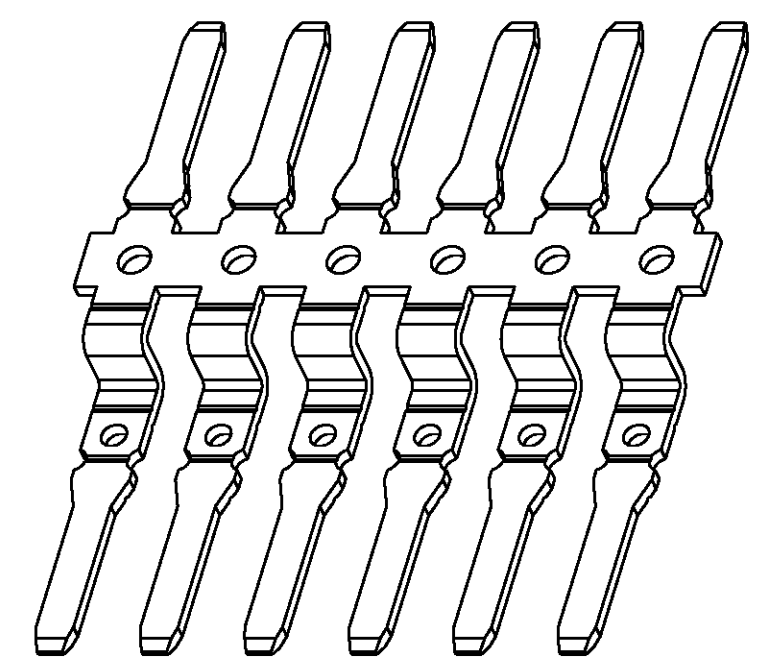
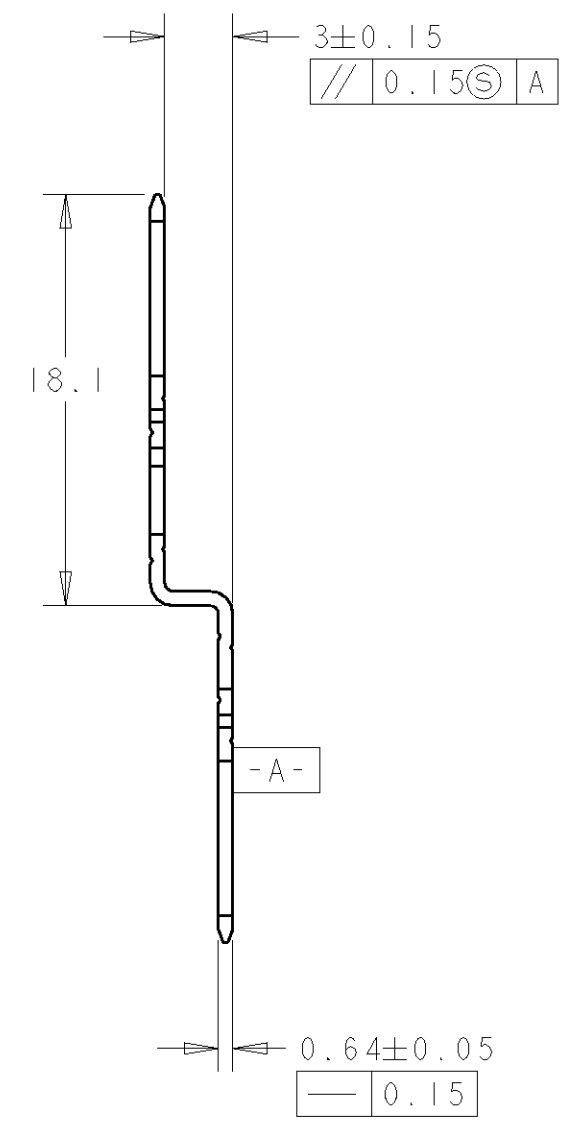
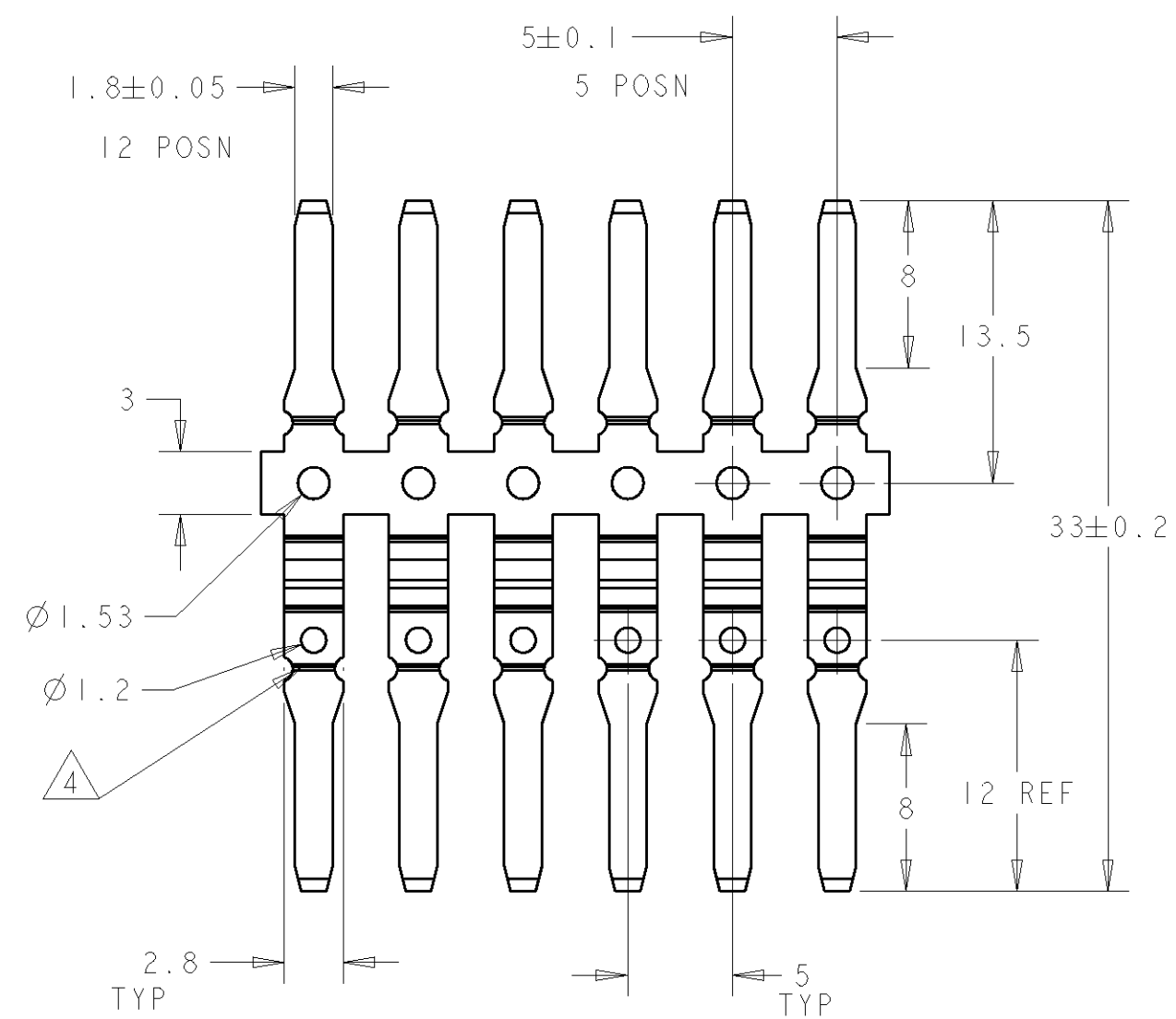
3

2

1

THIS DRAWING IS UNPUBLISHED. RELEASED FOR PUBLICATION 20
 © COPYRIGHT 20 BY TYCO ELECTRONICS CORPORATION. ALL RIGHTS RESERVED.

LOC	DIST	REVISIONS				
P	LTR	DESCRIPTION	DATE	DWN	APVD	
E	B	A	FIRST ISSUE	18/12/02	MJG	BB
		B	EBA0-0009-03	22-07/03	MJG	BB



SCALE 3:1

- 1. PLATING - DULL TIN OVER NICKEL
- 2. THIS PART IS FOR USE WITH VISTEON FLANGE TOOL ONLY
- 3 THIS DIMENSION APPLIES AFTER CROPPING INTO INDIVIDUAL TABS
- 4 SERRATIONS ADDED TO IMPROVE SEALING PERFORMANCE

<small>THIS DRAWING IS A CONTROLLED DOCUMENT FOR TYCO ELECTRONICS CORPORATION IT IS SUBJECT TO CHANGE AND THE CONTROLLING ENGINEERING ORGANIZATION SHOULD BE CONTACTED FOR THE LATEST REVISION.</small>		DWN M.GREENER 18/12/02 CHK M.HARRIS 18/12/02 APVD B.BAKER 18/12/02		Tyco Electronics UK Ltd, Stanmore, Middx, HA7 4RS.	
DIMENSIONS: mm		TOLERANCES UNLESS OTHERWISE SPECIFIED: 0 PLC ±- 1 PLC ±0.5 2 PLC ±0.5 3 PLC ±0.5 4 PLC ±- ANGLES ±2		NAME FUEL TANK FLANGE TAB	
		MATERIAL BRASS T4 FINISH NOTE 1		PRODUCT SPEC - APPLICATION SPEC - WEIGHT -	
CUSTOMER DRAWING		SIZE A3 CAGE CODE 00779 C=1478321		RESTRICTED TO -	
		SCALE 3:1		SHEET 1 OF 2 REV B	

4

3

2

1

THIS DRAWING IS UNPUBLISHED.

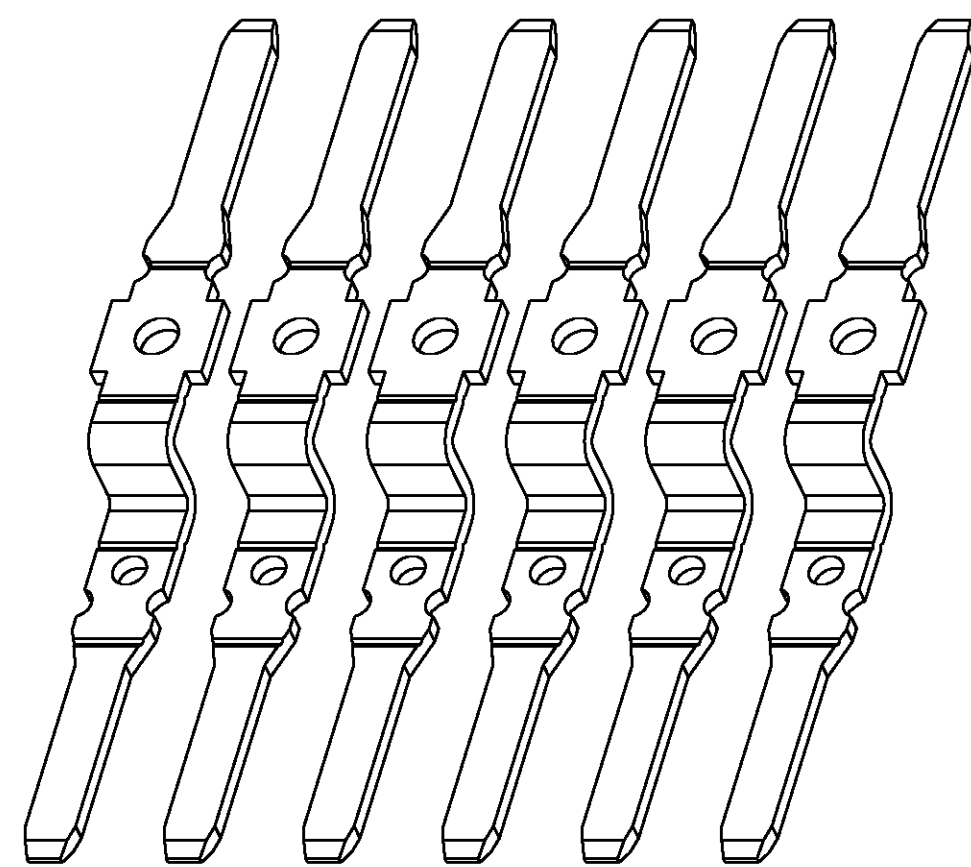
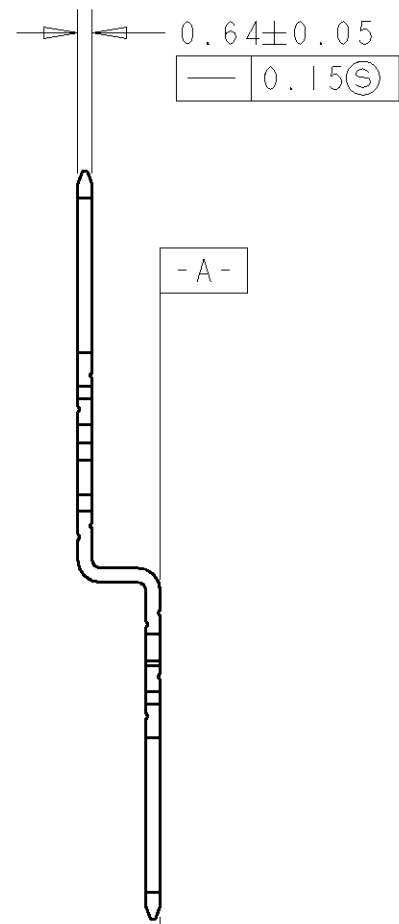
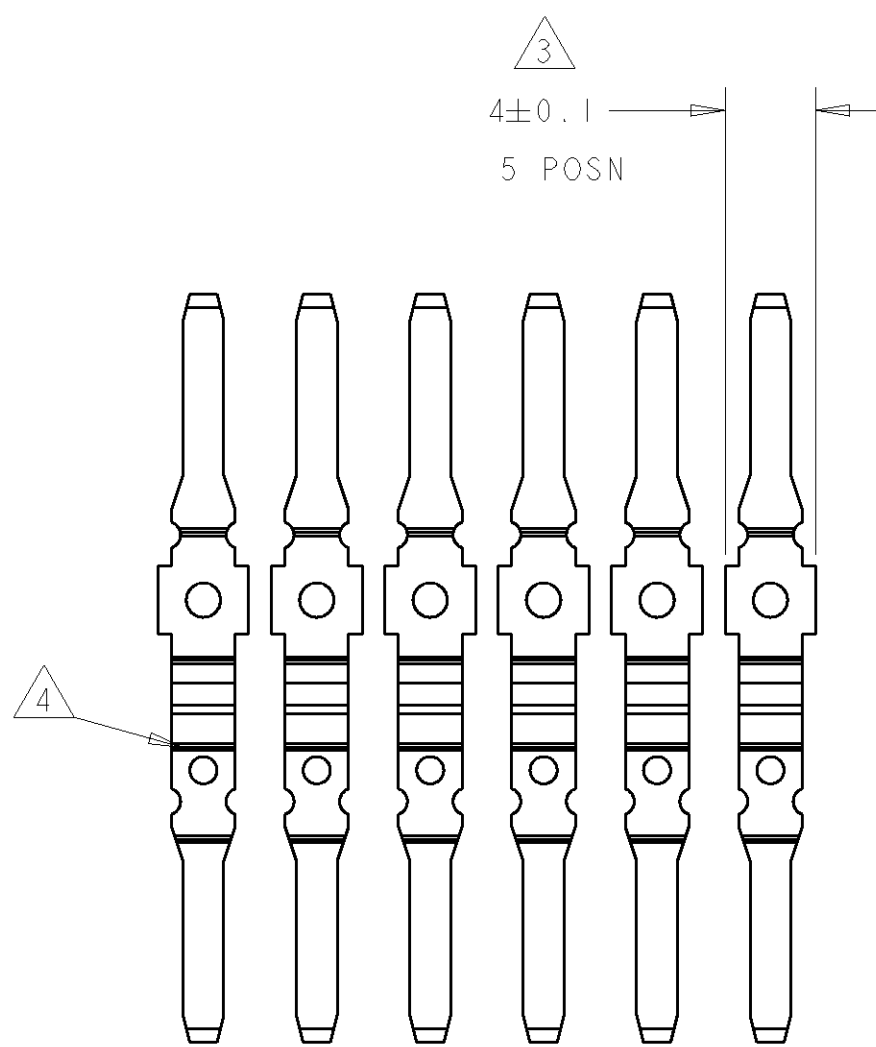
RELEASED FOR PUBLICATION

20

© COPYRIGHT 20

BY TYCO ELECTRONICS CORPORATION. ALL RIGHTS RESERVED.

LOC	DIST	REVISIONS					
E	B	P	LTR	DESCRIPTION	DATE	DWN	APVD



SCALE 4:1

<small>THIS DRAWING IS A CONTROLLED DOCUMENT FOR TYCO ELECTRONICS CORPORATION IT IS SUBJECT TO CHANGE AND THE CONTROLLING ENGINEERING ORGANIZATION SHOULD BE CONTACTED FOR THE LATEST REVISION.</small>		DWN M. GREENER 18DEC2002 CHK M. HARRIS 18DEC2002 APVD B. BAKER 18DEC2002		Tyco Electronics UK Ltd, Stanmore, Middx, HA7 4RS.	
DIMENSIONS: mm		TOLERANCES UNLESS OTHERWISE SPECIFIED: 0 PLC ±- 1 PLC ±0.5 2 PLC ±0.5 3 PLC ±0.5 4 PLC ±- ANGLES ±2		NAME FUEL TANK FLANGE TAB	
		PRODUCT SPEC -		SIZE A3 CAGE CODE 00779 DRAWING NO C=1478321 RESTRICTED TO -	
MATERIAL -		FINISH -		APPLICATION SPEC -	
		WEIGHT -		CUSTOMER DRAWING SCALE 3:1 SHEET 2 OF 2 REV B	