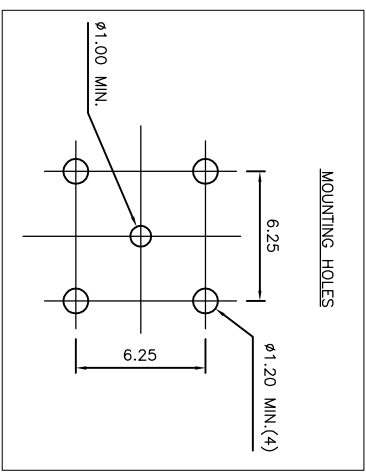
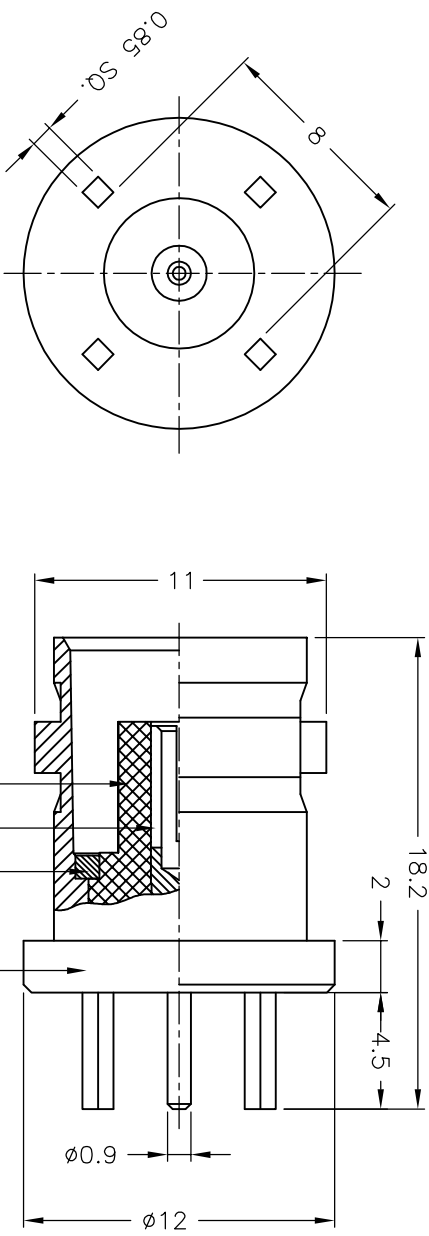


REVISIONS		DATE	DMN	APVD
P	LTR			
C	REVISE PER ECR-15-018032	11DEC2015	LN	RS



QTY	DESCRIPTION	MATERIAL	ITEM
1	BRASS BODY	BRASS	4
1	BRASS SLEEVE	BRASS	3
1	BRONZE CONTACT	BRONZE	2
1	PTFE INSULATION	PTFE	1
1	MATERIAL DESCRIPTION	MATERIAL	1

- NOTES:**
- 1 SINGLE PACKING: ONE CONNECTOR PER LABELED BAG PACKAGED. LABELED PER TEC-107-115
  - 2 TRAY PACKAGED
  - 3 Ag PLATING
  - 4 WHITE BRONZE PLATING
- 5 ELECTRICAL CHARACTERISTICS**
- FREQUENCY RANGE: DC - 4 GHz
  - NOMINAL IMPEDANCE: 50 Ohm
  - INSULATION RESISTANCE: 5000 Mohm
  - WORKING VOLTAGE: 500 Volts RMS at Sea Level
  - DIELECTRIC WITHSTAND VOLTAGE: 1500 Volts RMS Max
  - CONTACT RESISTANCE: 1.50 mohm Max
  - CENTRE CONTACT: 0.20 mohm Max
  - OUTER CONTACT: N/A
  - YSMR @ xGHz: N/A
  - INSERTION LOSS xdb: N/A
- 6 MECHANICAL CHARACTERISTICS**
- COUPLING RETENTION FORCE: N/A
  - CABLE RETENTION FORCE: N/A
  - DURABILITY: 500 Cycles Min
- 7 ENVIRONMENTAL CHARACTERISTICS**
- OPERATING TEMPERATURE: -65 to +165 DegC
- 8 ALL DIMENSIONS ARE NOMINAL FOR REFERENCE ONLY UNLESS OTHERWISE STATED**

THIS DRAWING IS A CONTROLLED DOCUMENT.

DIMENSIONS:	TOLERANCES UNLESS OTHERWISE SPECIFIED:
mm	0 P.L.C. ±
	1 P.L.C. ±
	2 P.L.C. ±
	3 P.L.C. ±
	4 P.L.C. ±
	ANGLES ±

MATERIAL: SEE TABLE

DMN	J.SANDWELL	04AUC06	NAME	BNC STRAIGHT PCB SOCKET 50 OHM
CHK	S.PARLOW	04AUC06	APPLICATION SPEC	
APVD	F.WHEELER-KING	04AUC06	PRODUCT SPEC	
WEIGHT	0.000000		SIZE	A3100779
			DRAWING NO	1478204
			SCALE	NTS
			SHEET	1 of 1
			REV	C

