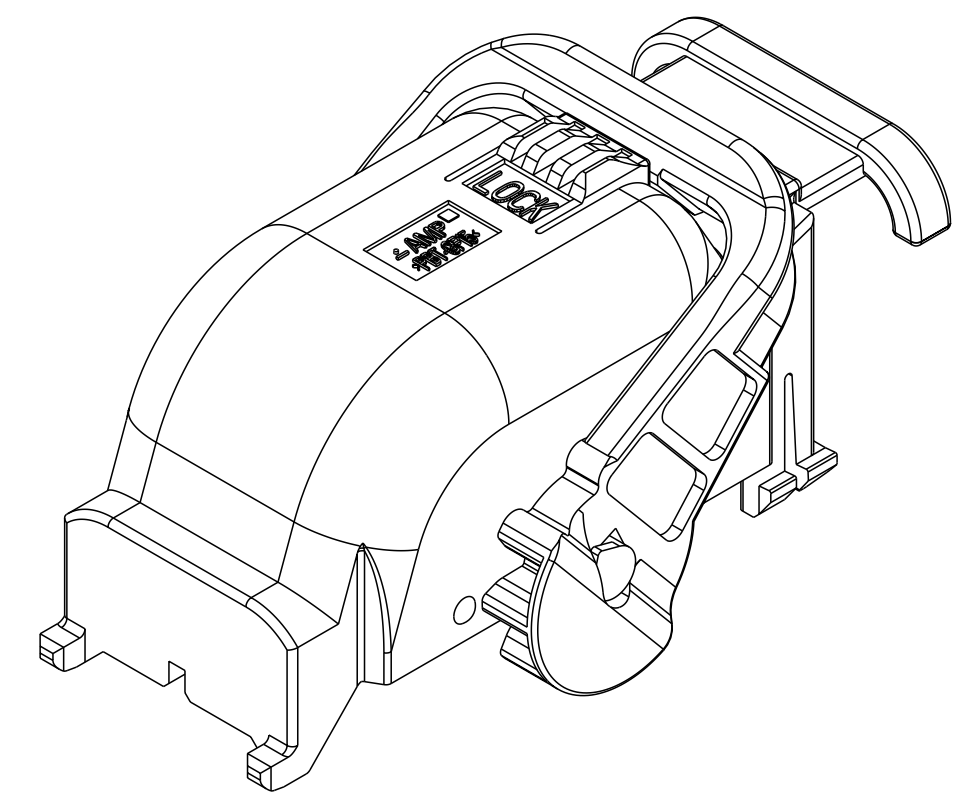
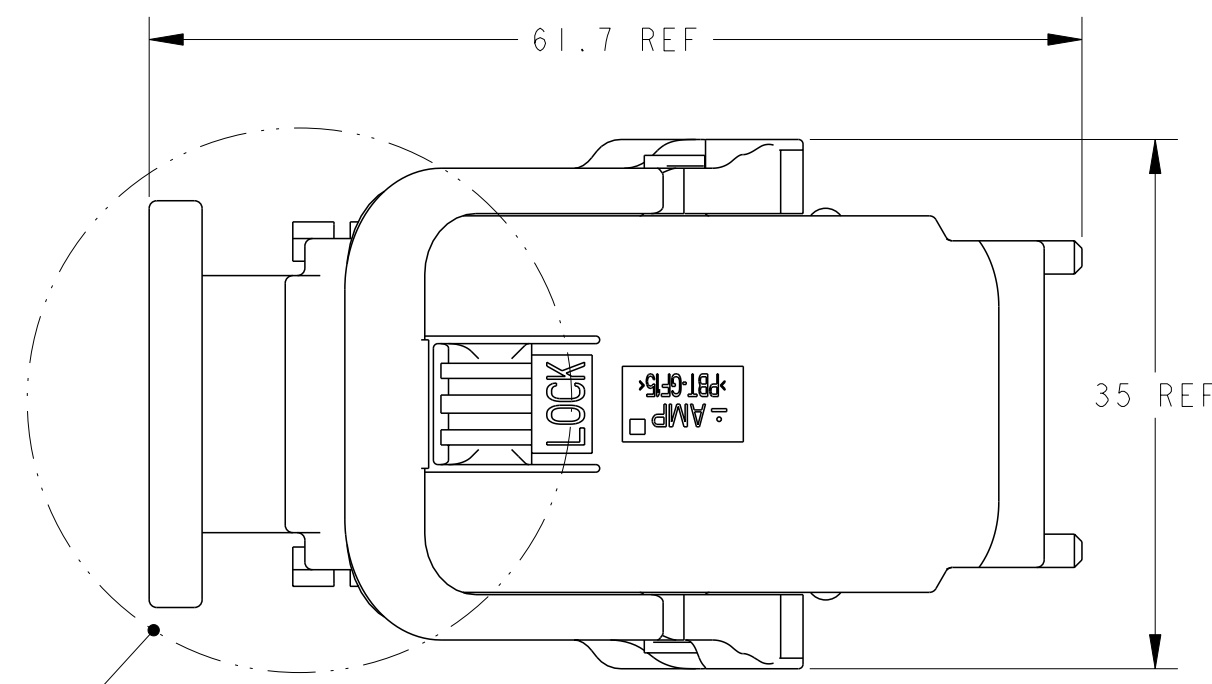
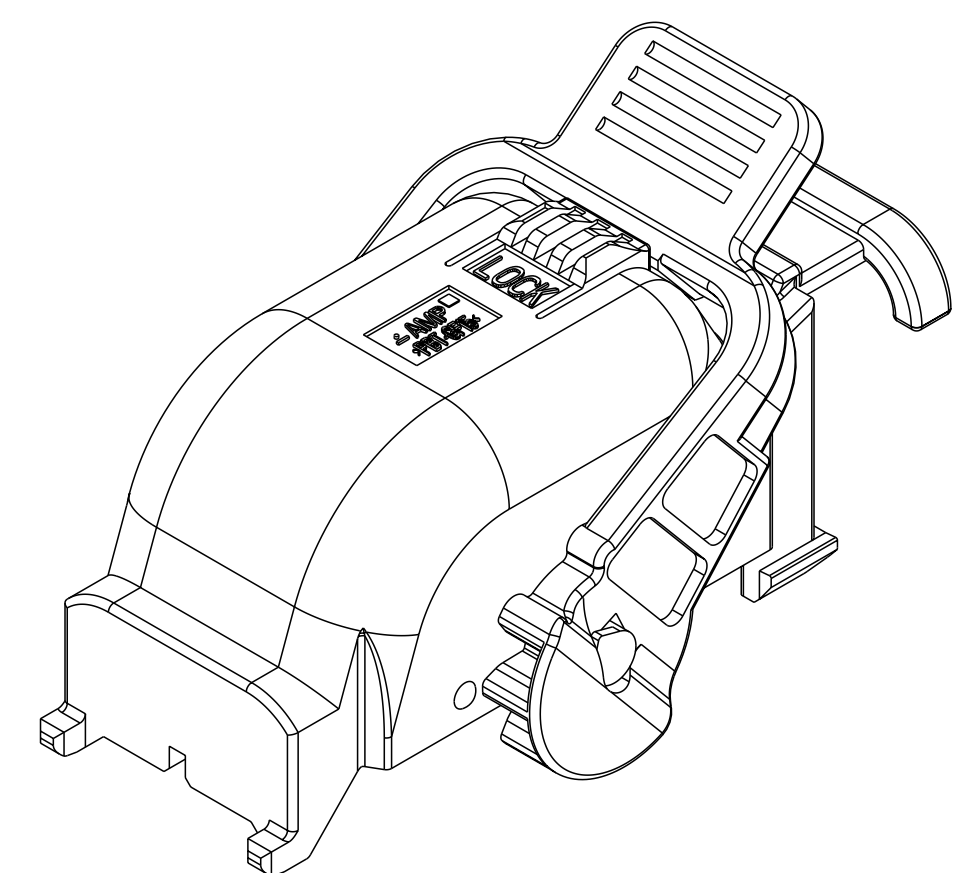
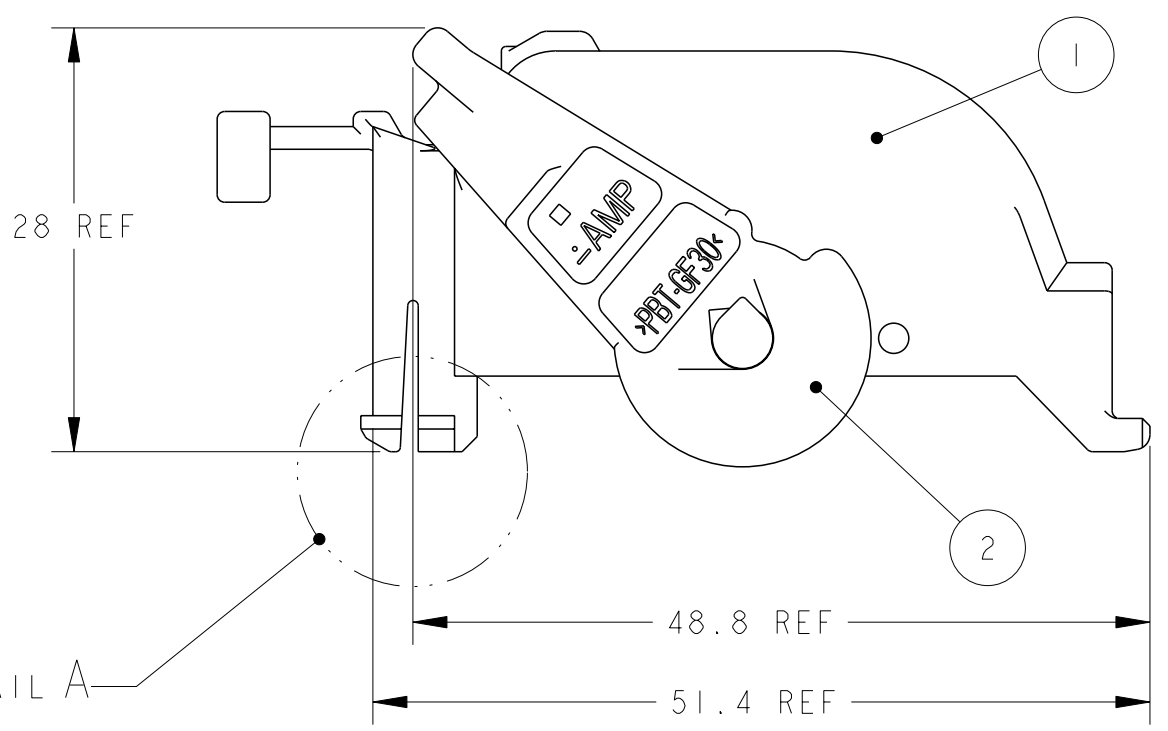


REVISIONS						
P	LTR	DESCRIPTION	ECN	DATE	DWN	APVD
-	O	RELEASED	FJ00-2386-01	10OCT01	Y.K	N.S
-	O1	ADD "-2" SLIT TYPE	ECR-05-000427	09MAR2005	S.Y	Y.F
-	A	ADD LONG LEVER TYPE	ECR-07-010628	07MAY07	T.J	Y.F
-	A1	ADD -4	ECR-21-124360	16DEC2021	TM	RK



STANDARD LEVER TYPE

DETAIL A		
TYPE	SLIT TYPE	NO SLIT TYPE
P/N	1473255-1	1473255-2,-3



LONG LEVER TYPE

DETAIL B		
TYPE	STANDARD LEVER TYPE	LONG LEVER TYPE
P/N	1473255-1,-2	1473255-3

1. PART NUMBER OF PLUG HOUSING ASSEMBLY TO BE APPLIED ; SEE PRODUCT SPEC.
 2. INSTRUCTION SHEET NO ; 411-78008 / 411-78142

1. 適用プラグハウジングアセンブリ型番は、製品規格参照のこと。
 2. 取扱説明書 NO ; 411-78008 / 411-78142

SEE DETAIL B

SEE DETAIL A

SEE DETAIL B

SEE DETAIL A

SEE CUSTOMER DRAWING 1473255-4	1	-	-	LEVER (LONG TYPE)	WHITE	2
	-	1	1	LEVER (STANDARD TYPE)	BLACK	
	1	1	-	HARNESS COVER (NO SLIT)	BLACK	1
	-	-	1	HARNESS COVER (SLIT)	BLACK	
	-4	-3	-2	-1	PART NAME	FINISH/COLOR NO

THIS DRAWING IS A CONTROLLED DOCUMENT.

DIMENSIONS: mm	TOLERANCES UNLESS OTHERWISE SPECIFIED: 一般公差 ±0.3	DWN T. JIANG 07JUN07	TE Connectivity
	0-PLC ±	CHK Y. NOGUCHI 07JUN07	
	1-PLC ±0.5	APVD Y. FUJIWARA 07JUN07	
	2-PLC ±0.13	PRODUCT SPEC 108-5793, 108-5977	
MATERIAL PBT	3-PLC ±0.013	APPLICATION SPEC 114-18021, 114-18050	NAME
	4-PLC ±0.0001	WEIGHT 10.7g	LEVER ASSY TYPE-A (STEER THE WIRE OUTSIDE) SEALED 40POS. PLUG HSG MQS CLEAN BODY/JPT
	ANGLES ±	CUSTOMER DRAWING	SIZE A2
	FINISH SEE TABLE	SCALE 2:1	CAGE CODE 00779
		SHEET 1 OF 1	DRAWING NO 1473255
		REV A1	RESTRICTED TO

Printed on 16 Dec 2021 13:57 (from FJ024691)