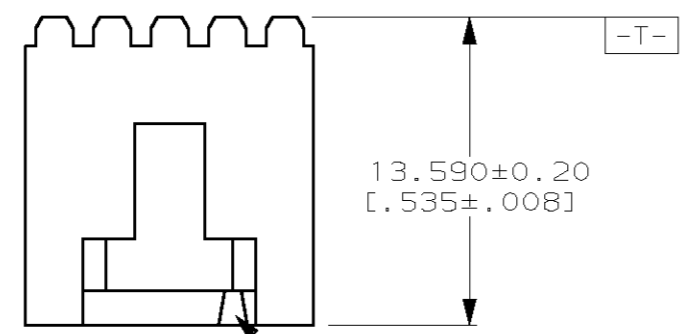


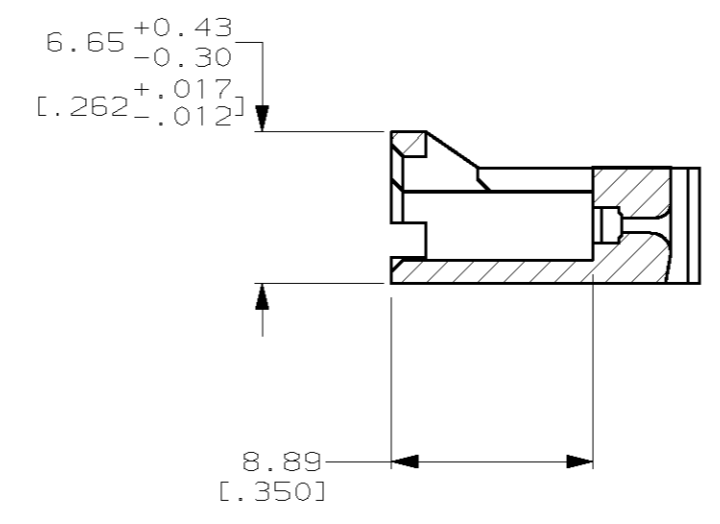
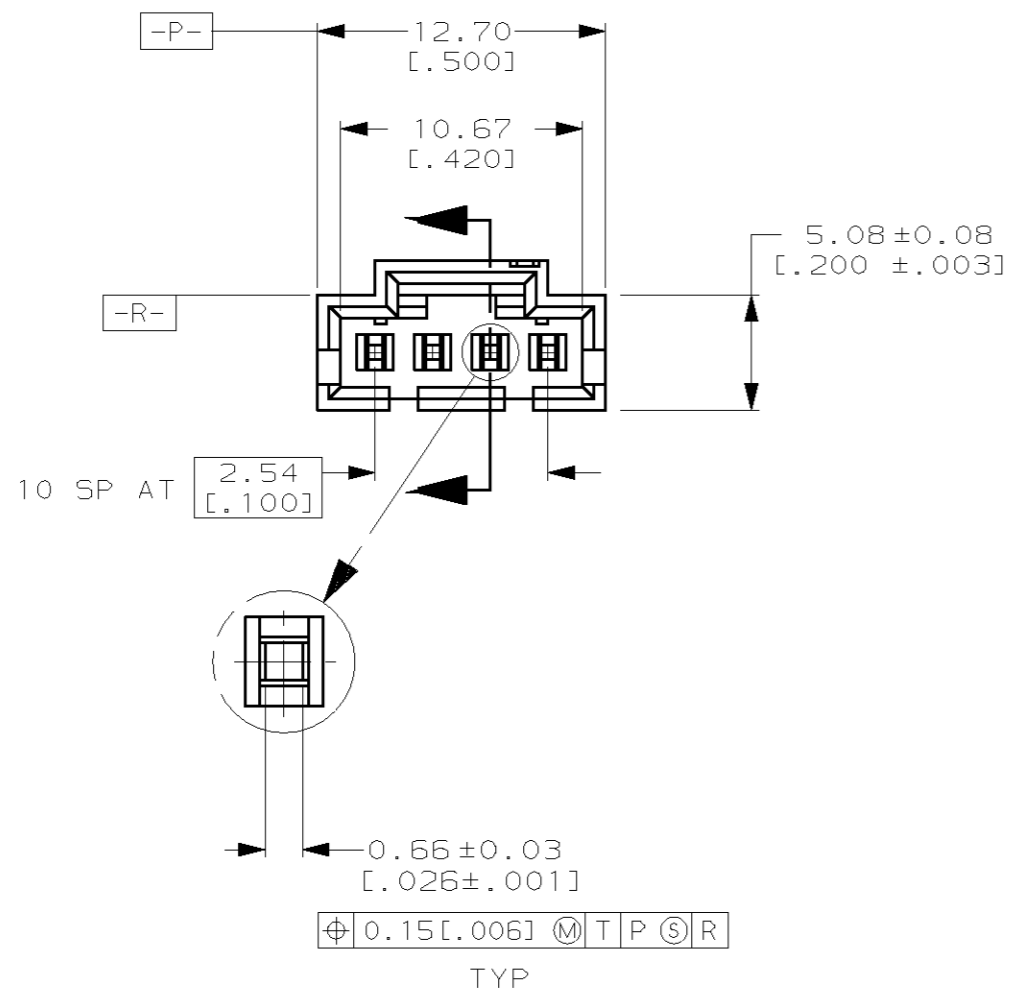
THIS DRAWING IS UNPUBLISHED. RELEASED FOR PUBLICATION .19
 © COPYRIGHT 19 BY AMP INCORPORATED. ALL RIGHTS RESERVED.

LOC		DIST		REVISIONS			
P	LTR	DESCRIPTION		DATE	DWN	APVD	
AD	00	A		REV PER 051A-0076-99	05OCT99	BH	KW

- ① MATERIAL:
HOUSING: FLAME RETARDANT THERMOPLASTIC, COLOR - NATURAL
- ② MATERIAL:
HOUSING: FLAME RETARDANT THERMOPLASTIC, COLOR - GREEN



POSITION 1 INDICATOR



②	4	147093-2
①	4	147093-1
NO OF POSN	PART NUMBER	

THIS DRAWING IS A CONTROLLED DOCUMENT.		DWN B. HAYMAKER 16OCT98	AMP Incorporated Harrisburg, PA 17105-3608
DIMENSIONS: MM(INCH)		CHK J. VOYMAS 16OCT98	
TOLERANCES UNLESS OTHERWISE SPECIFIED:		APVD J. VOYMAS 16OCT98	NAME
0 PLC ±- 1 PLC ±- 2 PLC ±- 3 PLC ±0.13(.005) 4 PLC ±- ANGLES ±-		PRODUCT SPEC	HEADER HOUSING, AMPMODU MTE, SINGLE ROW, 2.54[.100]Ø, POLARIZED, RIGHT ANGLE / VERTICAL MOUNT WITH LATCH
MATERIAL -		FINISH -	SIZE CAGE CODE DRAWING NO RESTRICTED TO A2 00779 C- 147093 -
		WEIGHT -	SCALE 4:1 SHEET 1 OF 1 REV A
CUSTOMER DRAWING			

147093