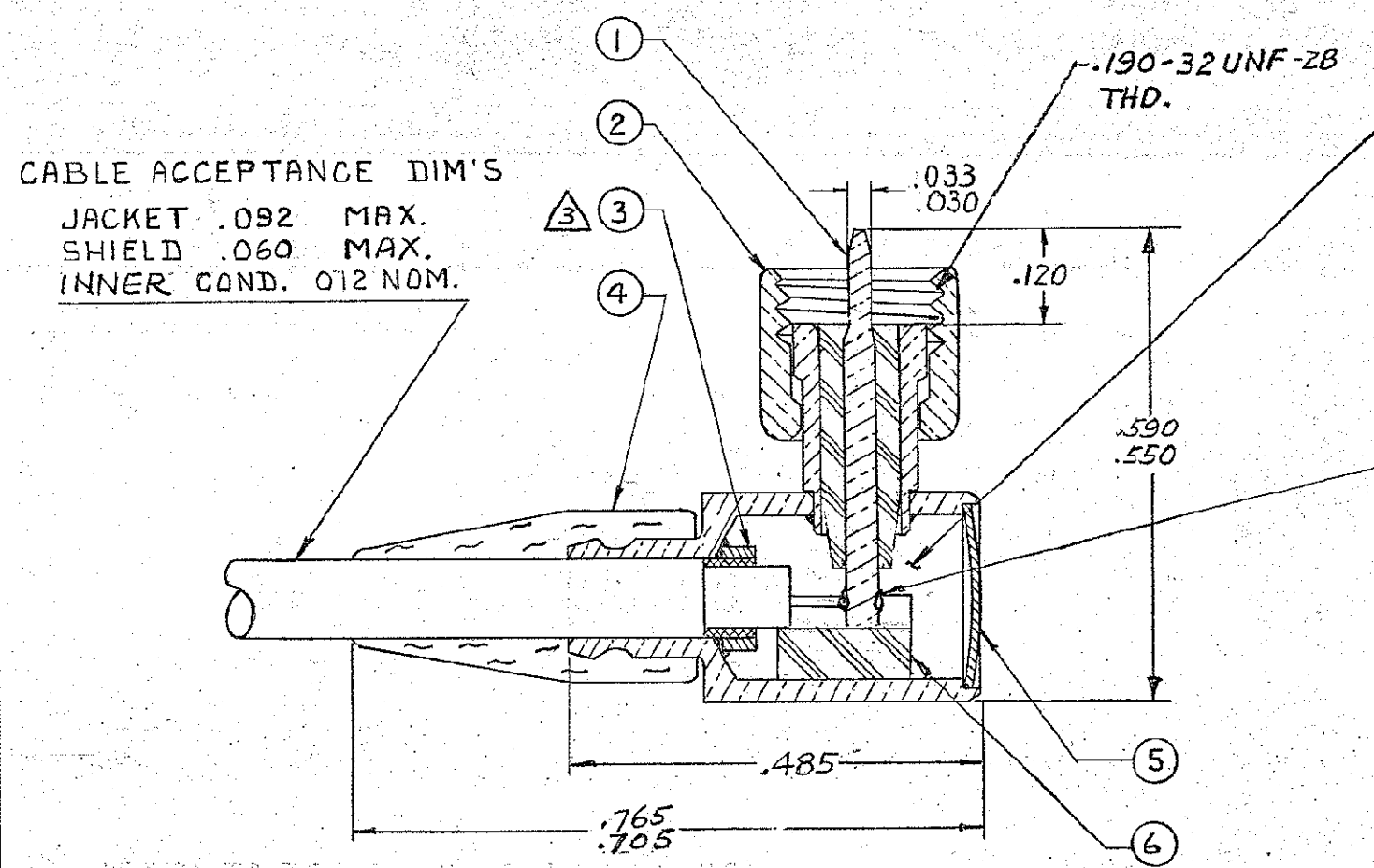


CLASS 1

These drawings and specifications are the property of Microdot Inc., are issued in strict confidence and shall not be divulged, be reproduced or copied, or used as the basis for the manufacture or sale of any article without written permission of Microdot Inc.



BEFORE CAPPING FILL CAVITY WITH POTTING COMPOUND,

CONDUCTOR SOLDERED TO PIN

CABLE ACCEPTANCE DIM'S  
 JACKET .092 MAX.  
 SHIELD .060 MAX.  
 INNER COND. .012 NOM.

1	003-0331-0001	INSULATOR, BACK UP	TEFLON L-P-403		6
1	003-0098-0001	SEAL DISC	BRASS QQ-B-613	△4	5
1	003-0270-0000	BEND RELIEF GAP	SILICONE RUBBER ZZR-165		4
1	003-0030-0001	JERK RING	BRASS QQ-B-626	△4	3
	003-0029-0000	NUT	BRASS QQ-B-626		
	003-0078-0000	FERRULE	BRASS QQ-B-626		
	003-0135-0000	ANGLE BLOCK	BRASS QQ-B-626		
1	003-1024-0001	HOUSING SUB-ASSY		△4	2
	003-0050-0001	INSULATOR	TEFLON L-P-403		
	003-0049-0002	PIN	BRASS QQ-B-626	△5	
1	003-1363-0001	CONTACT, SUB-ASSY			1
QTY	PART NO	NOMENCLATURE	MAT'L & SPEC.	FINISH	ITEM

6. FOR ASSY INSTR. SEE RF-ASMB-87 SPECIAL ASSY TOOL #010-0016-0000 IS REQUIRED.

△5 GOLD PLATE PER MIL-G-45204, TYPE II, GRADE C, CLASS I

△4 SILVER PLATE .0002 MIN. PER QQ-S-365, TYPE II GRADE A

△3 SOLDER TO SHIELD AND ANGLE BLOCK.

2. 032-0015-0001 SAME AS 032-0015.

1 THIS CONNECTOR MATES WITH ALL JACKS & RECEPTACLES IN SERIES S-50 AS LISTED IN MALCO CATALOG.

NOTES: UNLESS OTHERWISE SPECIFIED

AB	1005	UPDATE REV. LETTER	TL	9/61	EG
AA	3/55	ITEM 4, WAS 003-0031-0000	B	3/57	EG
Z	247	UPDATE, REVISED.	EH	1/30	MIP
Y	1614	REV. LETTER UP-DATED	EG	2/73	EG
X	1174	SEE ECO	EG	1/17	EG
W	5862	UP-DATED ALL PART NO CENTER COND. WAS .020 MAX. JACKET WAS .020 MAX. SHIELD WAS .062 MAX. DIELECTRIC .042 MAX.	6K	11/21	EG
U	5861	REVISED AND REDRAWN	6.K.	7/27	EG
ASSEMBLY	NO REQ'D	FOR PRIOR CHANGES SEE OLD PRINTS	BY	DATE	APP
NEXT ASSEMBLIES	LET	ECO	REVISION	DESCRIPTION	

STANDARD TOLERANCES UNLESS OTHERWISE SPECIFIED  
 DEC. ± .010  
 FRAC. ±  
 ANGLES ±  
 ECCENTRICITY  
 MAX. T.I.R.  
 HOLE DIA. ±  
 SURFACE ROUGHNESS  
 MICRO INCHES  
 THREADS TO MIL-S-7742  
 COMMERCIAL TOLERANCES  
 APPLY TO STOCK DIMENSIONS

**MALCO**  
 A MICRODOT COMPANY, INC.  
 220 PASADENA AVE., SO. PASADENA, CAL

SURFACE TREATMENT NOTED

MATERIAL NOTED

APP: DPF

CHECKED BY

DRAWN BY: m7m

SCALE: 5x

WT

DATE: 6-4-56

DRAWING NUMBER: 032-0015-0001 AA

PROD CODE: 931

CODE CDM

PLUG, ANGLE

CLASS 1