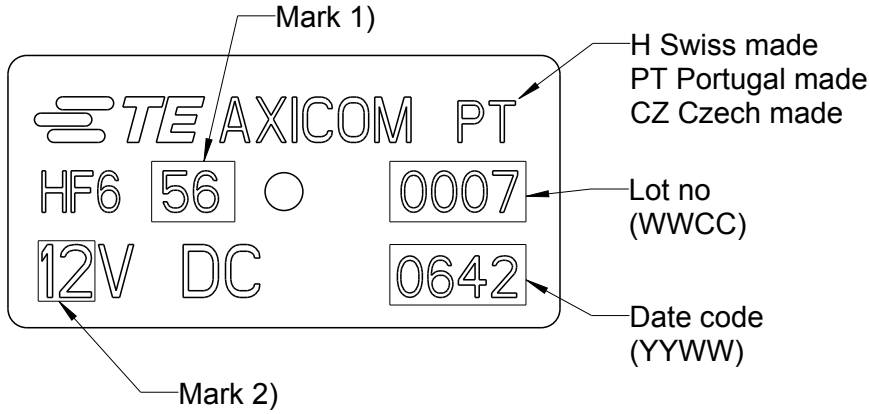


LOC	DIST	REVISIONS					
HJ	-	P	LTR	DESCRIPTION	DATE	DWN	APVD
			C1	ECR-14-007162 (Packing information)	13OCT2015	AP	AK
			C	REVISED PER ECO-13-009645	18JUN2013	UKo	AK
			B2	New HF6 93R	12JAN2012	UKo	BK
			B1	Printing	09JUL2010	UKo	HD



Packaging data code (Box, bag, reels):  
P(YWWDSL)000  
Shipping data code:  
YYWWDD

P - Product code (9 to HF relay)  
Y(Y) - Year (last digit for packaging)  
WW - calendar week (from date code)  
D - Day of the week (1=Sat,.....and 7=Fri)  
S - Shift (1=day shift, 2 night shift)  
L - Production Line  
C - Weekly sequential number  
000 - For internal use

Pos.	Relay-Typ	Mark 1)	Mark 2)	PN
1	HF6 51	51	3	1462052-1
2	HF6 52	52	4.5	1462052-2
3	HF6 53	53	5	1462052-3
4	HF6 54	54	6	1462052-4
5	HF6 55	55	9	1462052-5
6	HF6 56	56	12	1462052-6
7	HF6 57	57	24	1462052-7
8	HF6 71	71	3	1462052-8
9	HF6 72	72	4.5	1462052-9
10	HF6 73	73	5	1-1462052-0
11	HF6 74	74	6	1-1462052-1
12	HF6 75	75	9	1-1462052-2
13	HF6 76	76	12	1-1462052-3
14	HF6 77	77	24	1-1462052-4
15	HF6 91	91	3	1-1462052-5

2007

RELEASED FOR PUBLICATION

ALL RIGHTS RESERVED.

© COPYRIGHT 2007

THIS DRAWING IS UNPUBLISHED.

DIMENSIONS: mm	DWN UKo 9193	04APR2007	MATERIAL	-	FINISH	-
	CHK HD 9121	04APR2007	TE Connectivity <b>HF6-Relay 50Ω</b> <b>Marking</b>			
TOLERANCES UNLESS OTHERWISE SPECIFIED: DIN 7168-m	APVD HD 9121	04APR2007				
0 PLC ±-	PRODUCT SPEC	-	NAME	HF6-Relay 50Ω		
1 PLC ±-	APPLICATION SPEC	-	SIZE	CAGE CODE	DRAWING NO	RESTRICTED TO
2 PLC ±-	WEIGHT	-	A4	00779	C- 1462052-1	-
3 PLC ±-			CUSTOMER DRAWING			
4 PLC ±-			SCALE	5:1	SHEET	1 OF 2
ANGLES ±-					REV	C1

