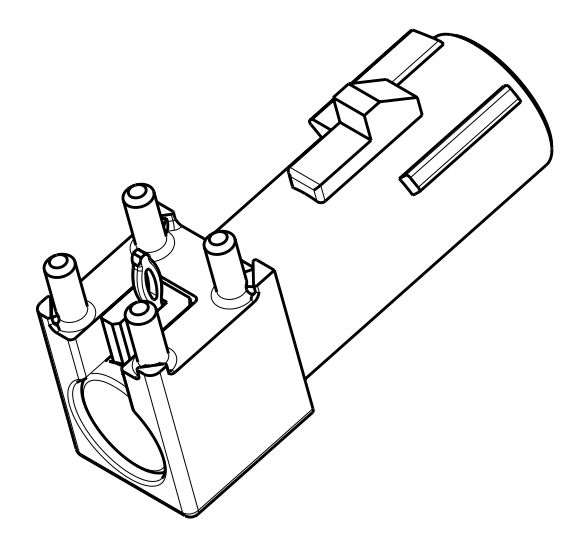
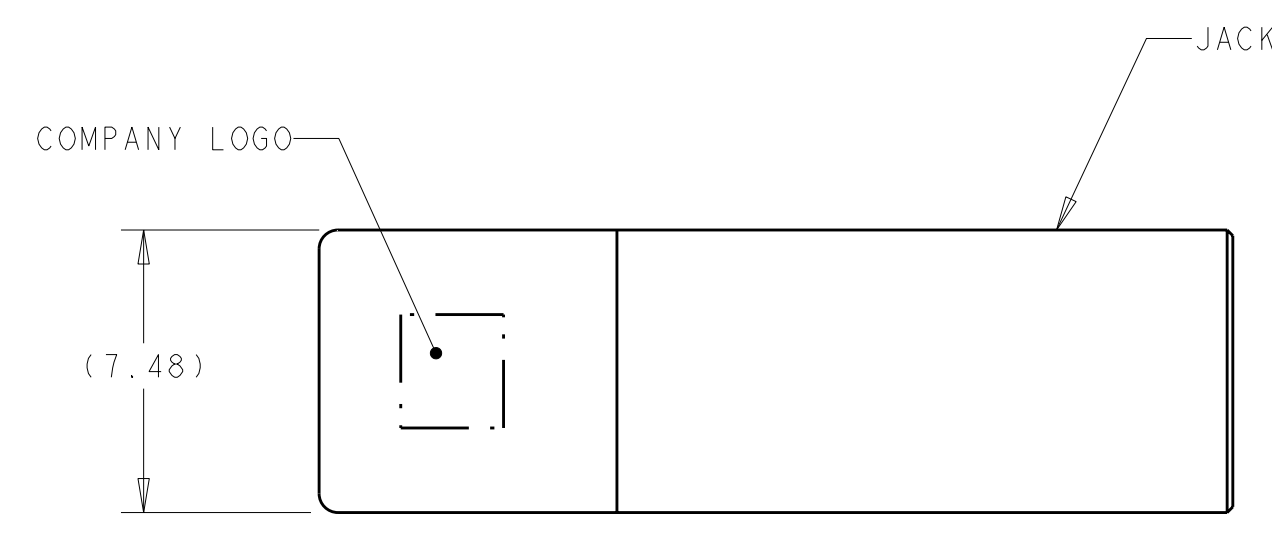
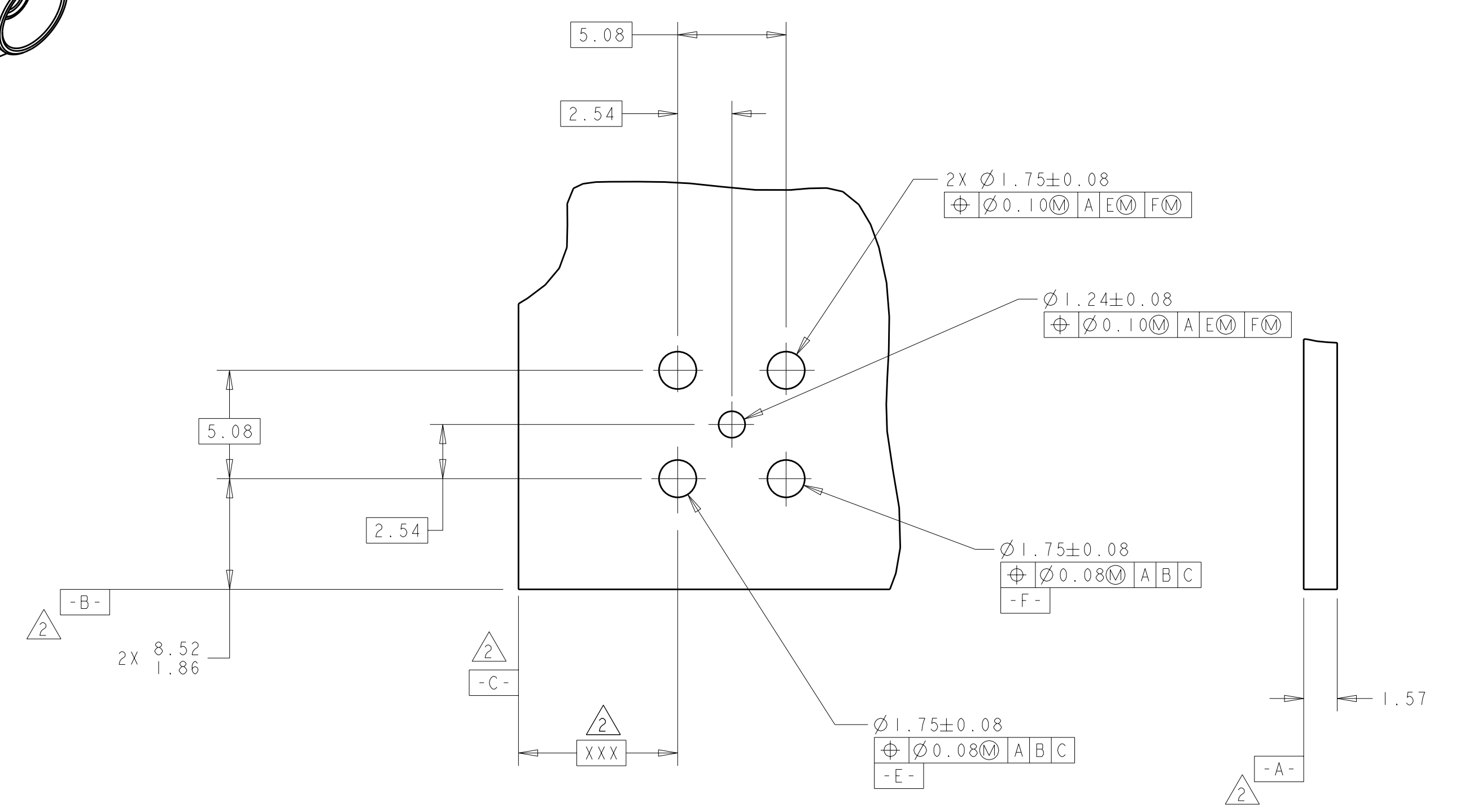
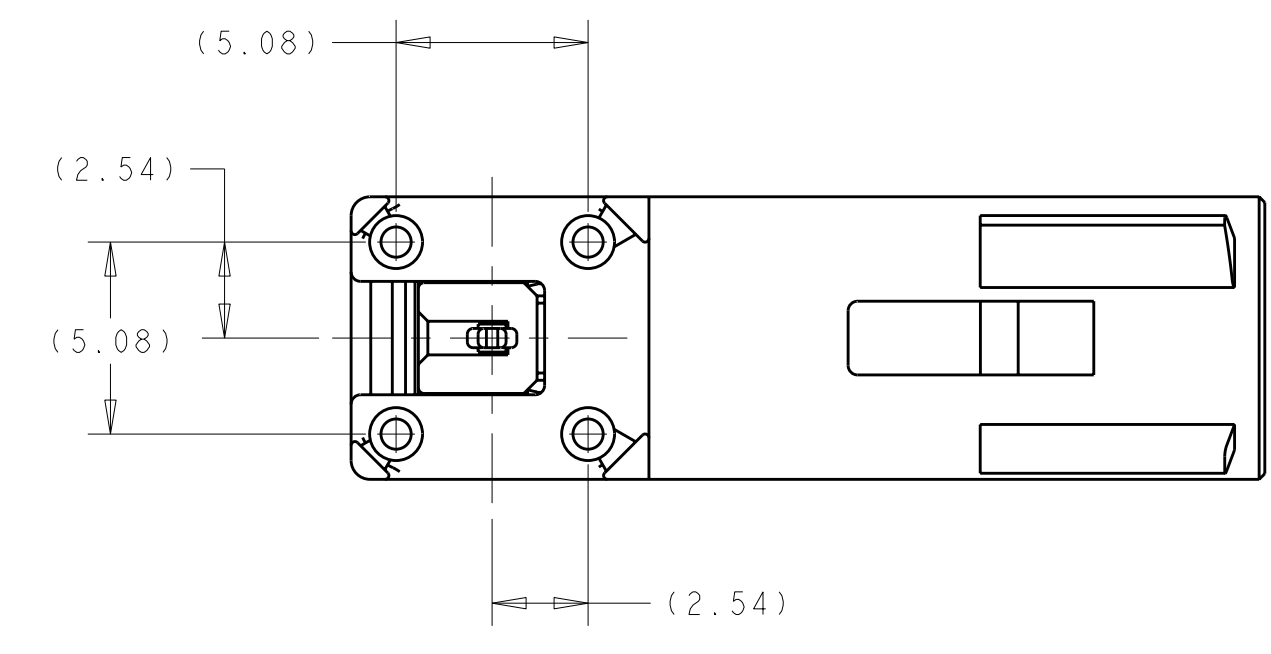
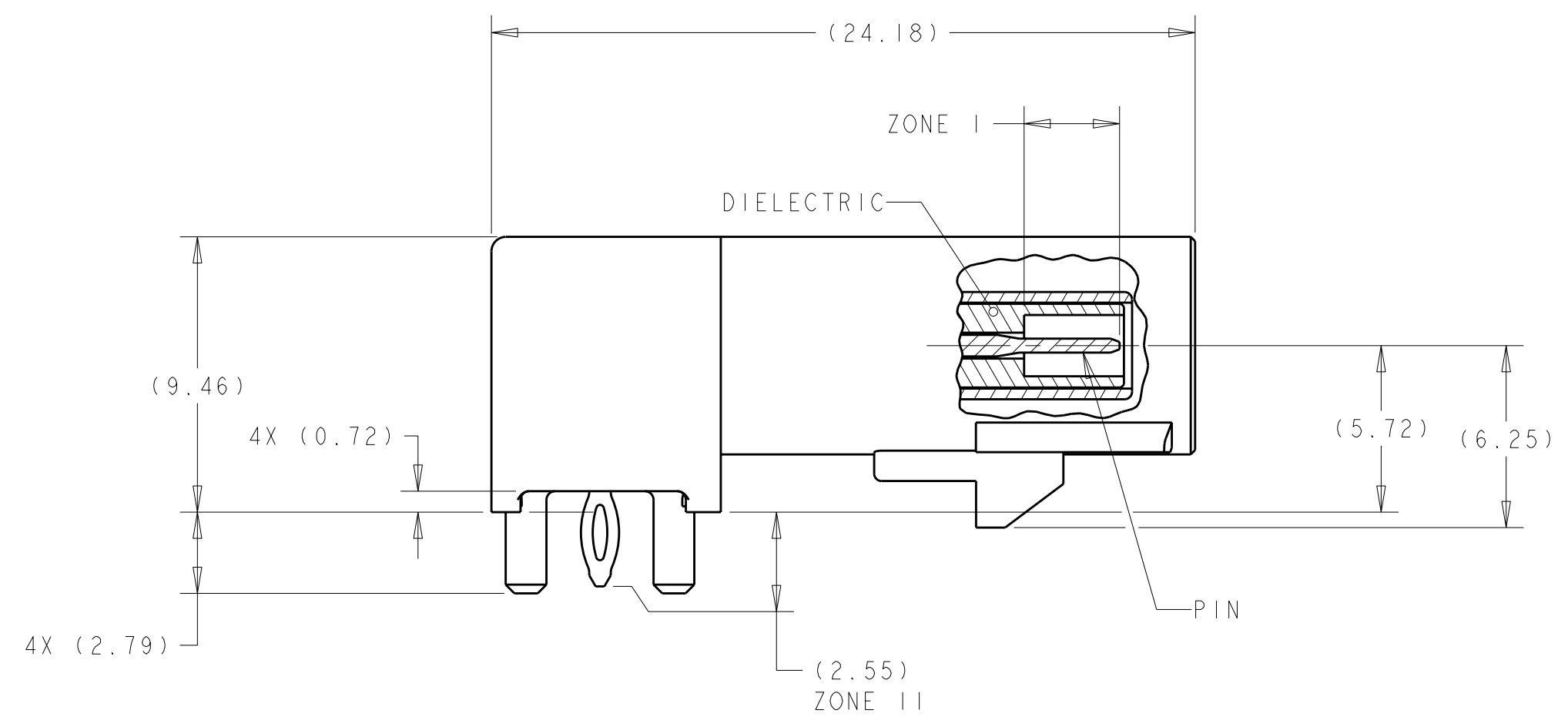
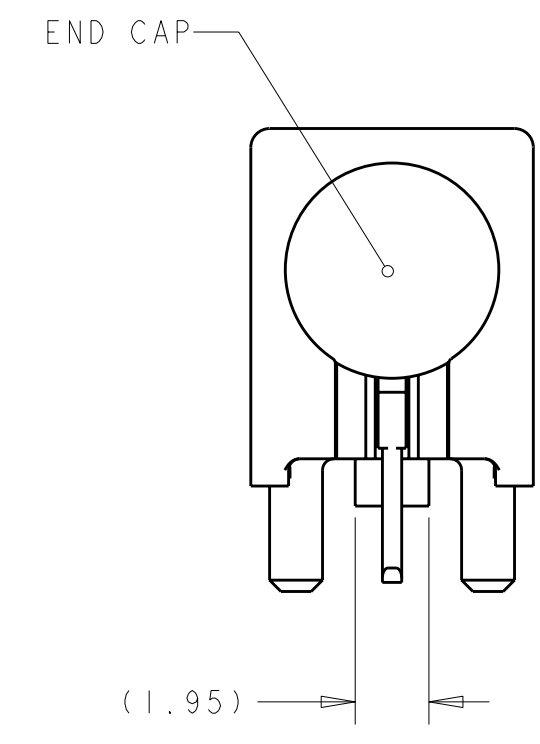
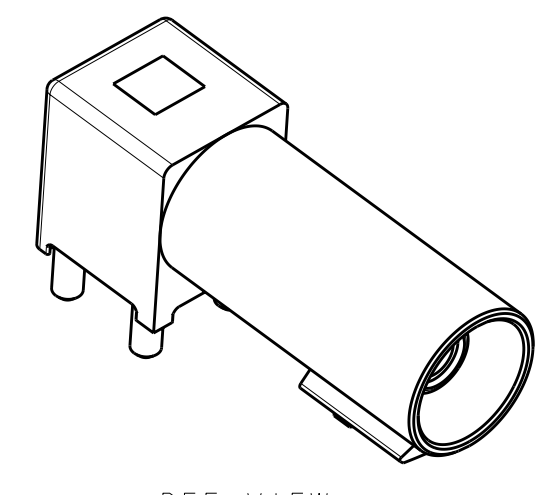


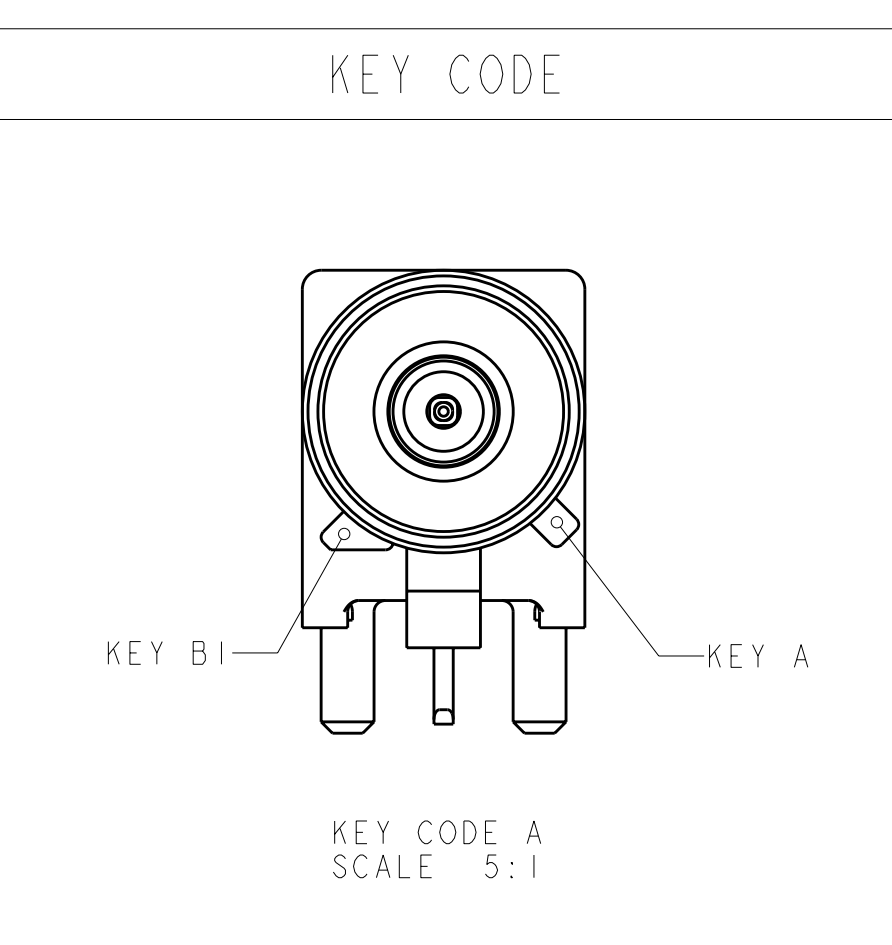
LOC	DIST	REV	DATE	BY	APPD
FX	00				
REVISIONS					
D		REVISED PER ECR-07-006019	25APR2007	AH	LLV
D1		REVISED PER ECO-10-013661	30JUN2010	DLD	LLV



- △ MATERIAL:
 JACK AND END CAP: ZINC
 PIN: BRASS
 DIELECTRIC: PCT, JET BLACK
- △ DATUMS AND DIMENSION ESTABLISHED BY CUSTOMER RELATIVE TO LOCATION ON PCB.
- 3. JACK INTERFACE PER SAE/USCAR-18, FAKRA SMB RF CONNECTOR SUPPLEMENT)
- △ FINISH:
 JACK: 2.0µm MIN THICK TIN OVER 1.52µm MIN NICKEL OVER COPPER FLASH
 PIN: 0.76µm MIN GOLD IN ZONE I, 2.5µm MIN TIN IN ZONE II
 ALL OVER 2.0µm MIN NICKEL
 END CAP: 2.54µm MINIMUM BRIGHT TIN OVER MATTE COPPER FLASH



RECOMMENDED PC BOARD
 LAYOUT
 SCALE 5:1



JET BLACK	A	1456944-1
KEY CODE COLOR	KEY CODE (SEE TABLE)	PART NUMBER

DIMENSIONS: mm 9 PLC ± 1 PLC ± 2 PLC ± 3 PLC ± 4 PLC ± ANGLES ±		TOLERANCES UNLESS OTHERWISE SPECIFIED: 9 PLC ± 1 PLC ± 2 PLC ± 3 PLC ± 4 PLC ± ANGLES ±		DWN R. VESTAL 07AUG2006 CHK L. VARSIK 07AUG2006 APVD L. VARSIK 07AUG2006		Tyco Electronics Harrisburg, PA 17105-3608	
MATERIAL: △ FINISH: △				PRODUCT SPEC APPLICATION SPEC SIZE: 114-13161 WEIGHT: - CUSTOMER DRAWING		NAME: JACK ASSEMBLY, 180 DEGREE, KEY A, FAKRA PCB SIZE: A1 CAGE CODE: 00779 DRAWING NO: C=1456944 RESTRICTED TO: - SCALE: 5:1 SHEET 1 OF 1 REV: D1	