

4

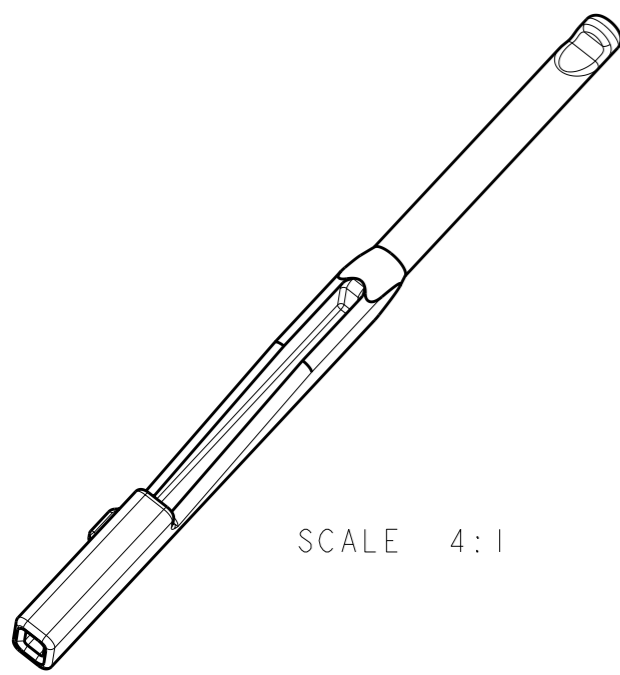
3

2

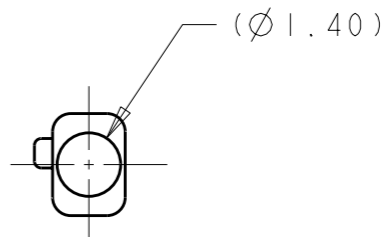
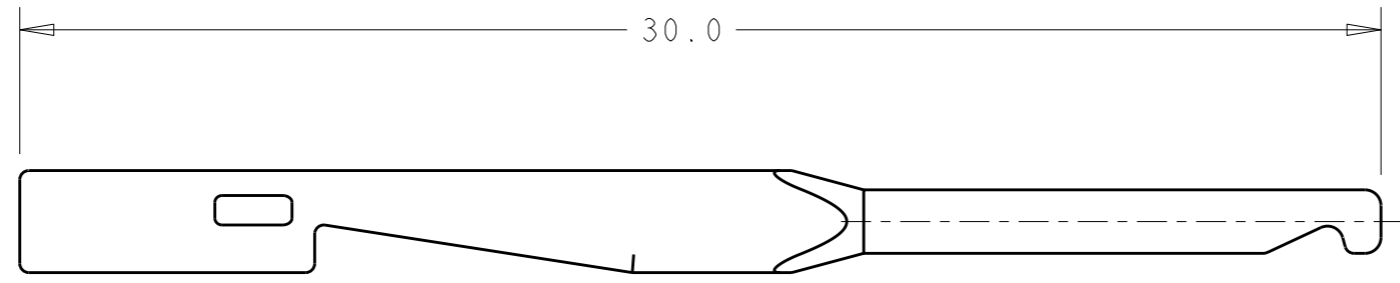
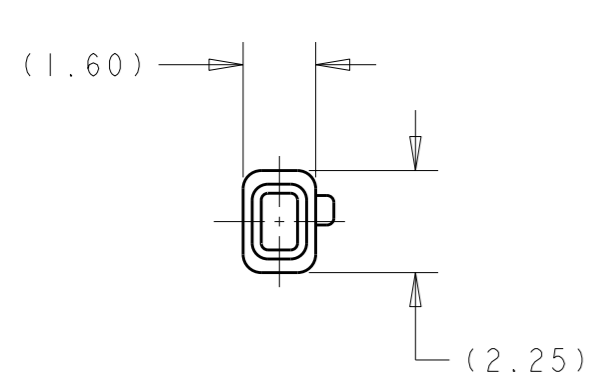
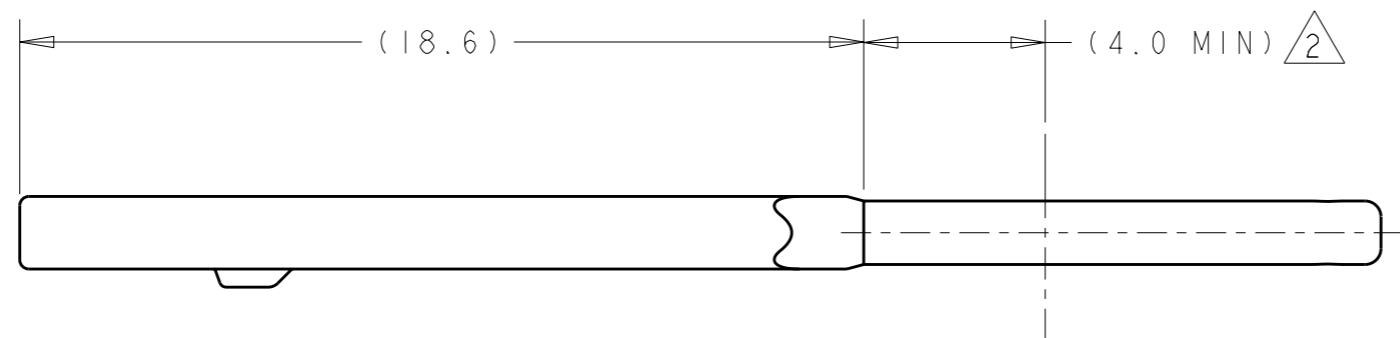
1

THIS DRAWING IS UNPUBLISHED. RELEASED FOR PUBLICATION 20
© COPYRIGHT 20 BY TYCO ELECTRONICS CORPORATION. ALL RIGHTS RESERVED.

LOC	DIST	REVISIONS			
P	LTR	DESCRIPTION	DATE	DWN	APVD
GE	00	A	ECR-07-008191	09APR2007	JCP
		B	ECR-07-011334	26APR2007	AH
		C	REVISED PER ECO-09-018086	04AUG2009	DD



SCALE 4:1



- 1 MATERIAL: PBT, 15% GLASS-FILLED.
COLOR: YELLOW
- 2 SEALING SURFACE MUST BE FREE OF DEFECTS OR IRREGULARITIES INCLUDING: DRAFT, TOOL LINES, HAIR LINE CRACKS, STAINS, OR SCORES ALL AROUND ON INDICATED SURFACE.
- 3. SEAL PLUG IS FOR SERVICE AND PROTOTYPE USE ONLY. REFERENCE SDM INSTRUCTION SHEET 408-10126.

1456538-1
PART NUMBER

<small>THIS DRAWING IS A CONTROLLED DOCUMENT FOR TYCO ELECTRONICS CORPORATION. IT IS SUBJECT TO CHANGE AND THE CONTROLLING ENGINEERING ORGANIZATION SHOULD BE CONTACTED FOR THE LATEST REVISION.</small>		DWN J. PATTERSON 28FEB2006 CHK J. PATTERSON 28FEB2006 APVD J. PATTERSON 28FEB2006	Tyco Electronics Harrisburg, PA 17105-3608
DIMENSIONS: mm	TOLERANCES UNLESS OTHERWISE SPECIFIED: 0 PLC ±- 1 PLC ±0.3 2 PLC ±0.20 3 PLC ±- 4 PLC ±- ANGLES ±1°	PRODUCT SPEC - APPLICATION SPEC - WEIGHT -	NAME SEAL PLUG, MAT, 54 AND 24 POSITION, SDM SIZE A3 CAGE CODE 00779 DRAWING NO C-1456538 RESTRICTED TO -
MATERIAL - 	FINISH -	CUSTOMER DRAWING	SCALE 6:1 SHEET 1 OF 1 REV C