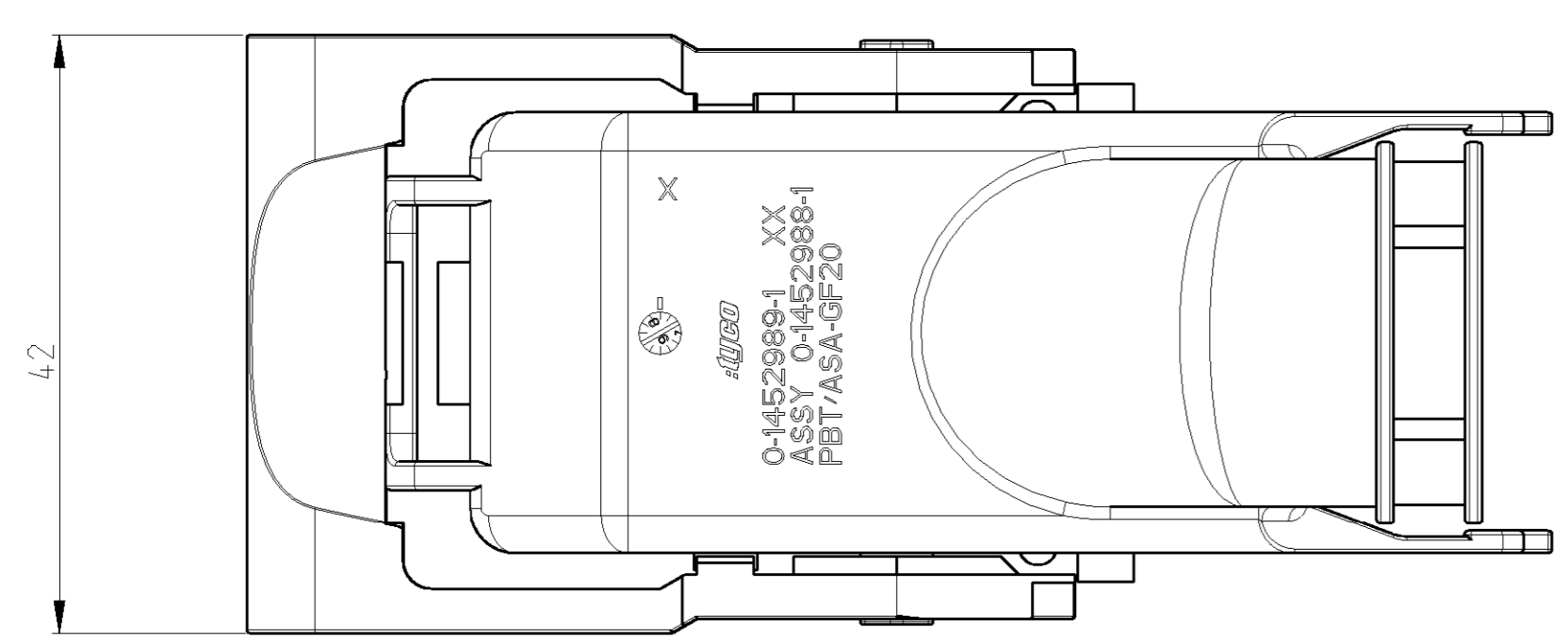
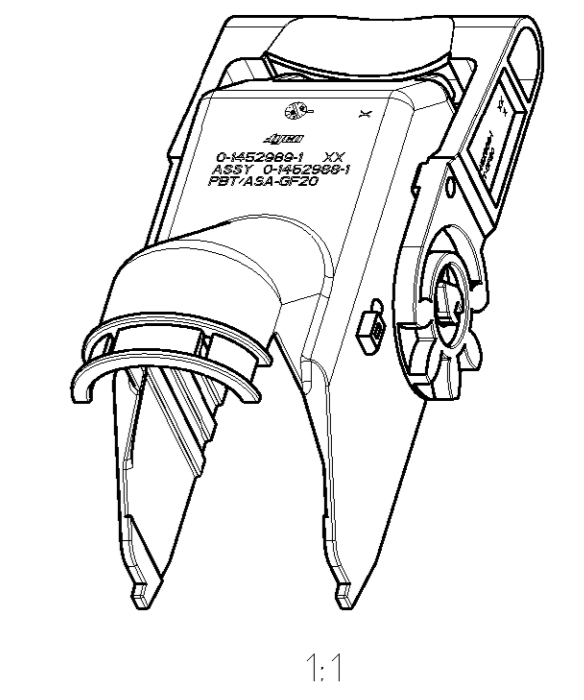
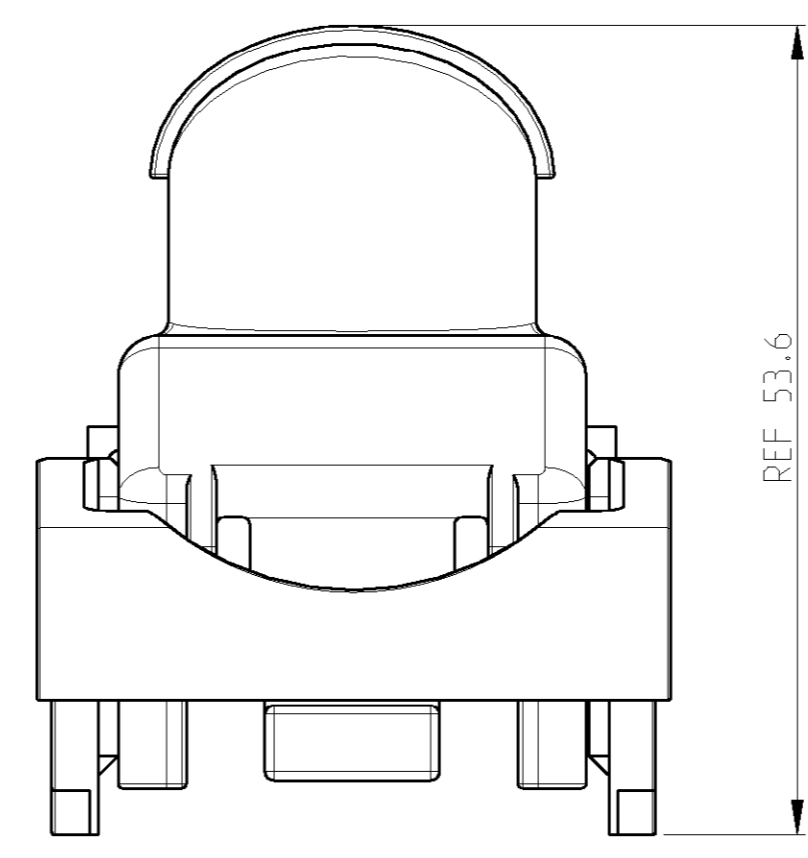
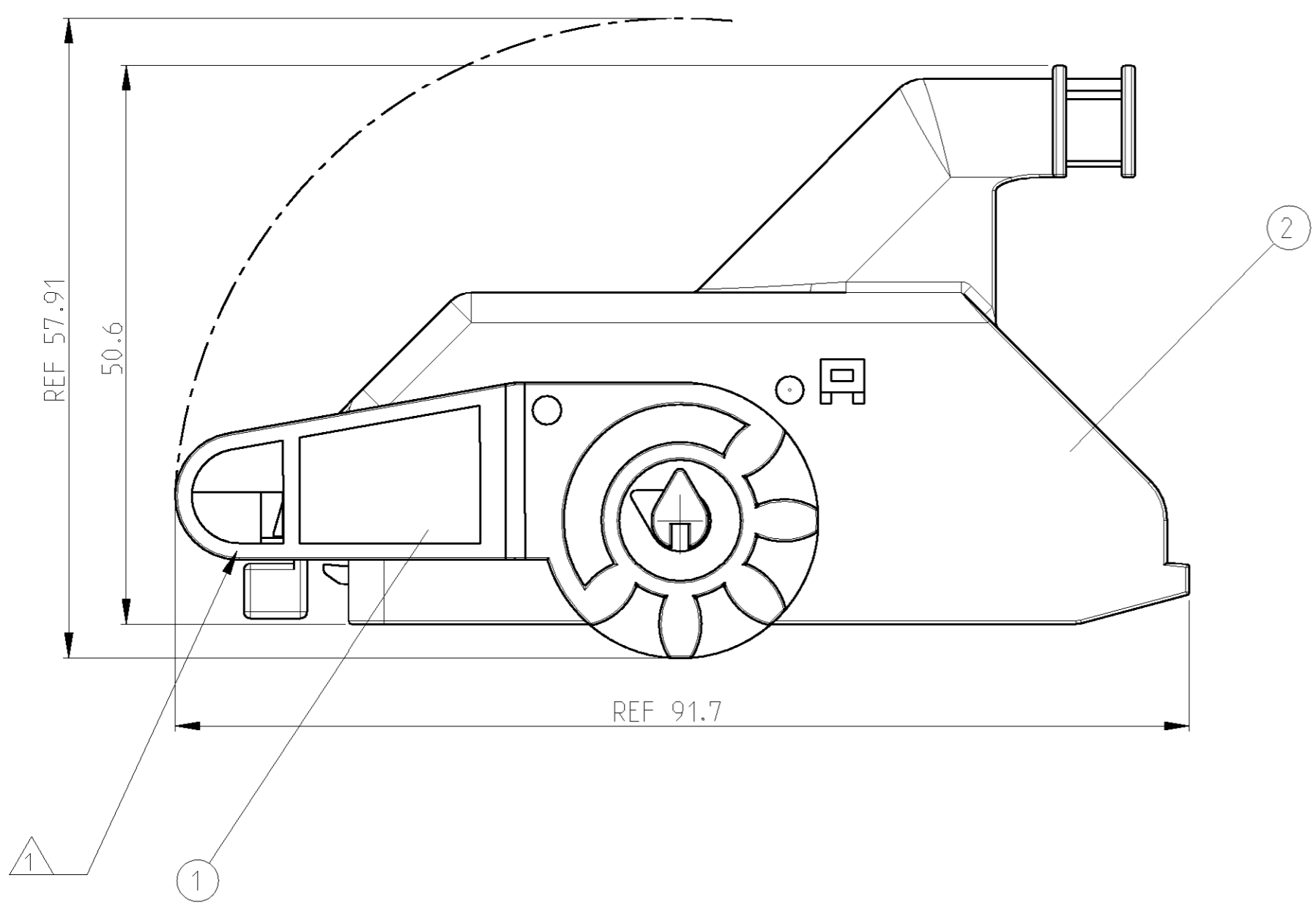


THIS DRAWING IS UNPUBLISHED. RELEASED FOR PUBLICATION 2005
 © COPYRIGHT 2005 BY TYCO ELECTRONICS CORPORATION. ALL RIGHTS RESERVED.

LOC	DIST	REVISIONS					
		P	LTR	DESCRIPTION	DATE	DWN	APVD
A1	-	A		EGA0-0057-05	10DEC2005	M.K.	GM
		A1		ECR-05-005275	21JUN2005	GP	GM
		B		ECR-05-017143	05DEC2005	GP	GM



NOTES:
Bemerkungen:

1 DELIVERY POSITION: LEVER IN ENLOCKED POSITION
Anlieferungszustand: Hebel in Endraststellung

PART NO	MATERIAL	DESCRIPTION	COLOUR	QTY.	ITEM NO
0-1452988-1	PBT/ASA-GF20	96 POS. CON. COVER	BLACK	1	2
	PBT-GF20	96 POS. CON. LEVER	RED	1	1

THIS DRAWING IS A CONTROLLED DOCUMENT FOR TYCO ELECTRONICS CORPORATION IT IS SUBJECT TO CHANGE AND THE CONTROLLING ENGINEERING ORGANIZATION SHOULD BE CONTACTED FOR THE LATEST REVISION.		DWN M.KRESSMANN 10DEC2005 CHK K.ROTH 11DEC2005 APVD G.MUMFERT 12DEC2005	tyco Electronics tyco Electronics AMP GmbH D - 64625 Bensheim
DIMENSIONS: mm 	TOLERANCES UNLESS OTHERWISE SPECIFIED: 0 PLC ±0,5 1 PLC ±0,5 2 PLC ±0,5 3 PLC ± 4 PLC ± ANGLES ±2 FINISH -	NAME COVER FOR 96 POS. CONNECTOR, ASSY 90° SIZE A2 CAGE CODE 00779 DRAWING NO C-1452988 RESTRICTED TO -	SCALE 2:1 SHEET 1 OF 1 REV B
MATERIAL -		PRODUCT SPEC -	APPLICATION SPEC -
CUSTOMER DRAWING		WEIGHT -	