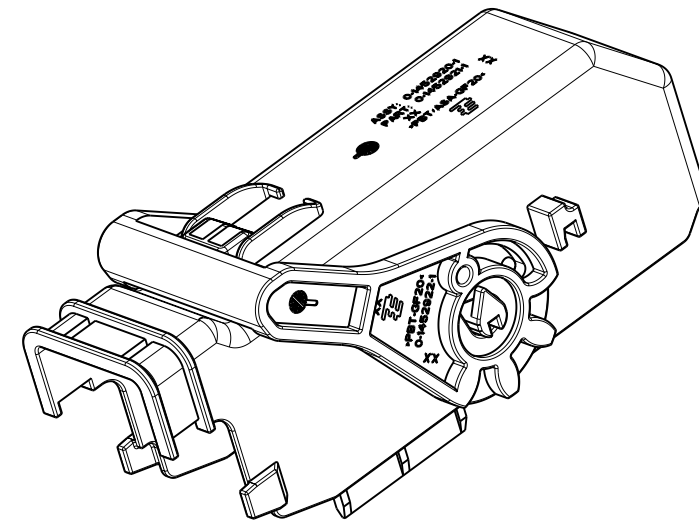
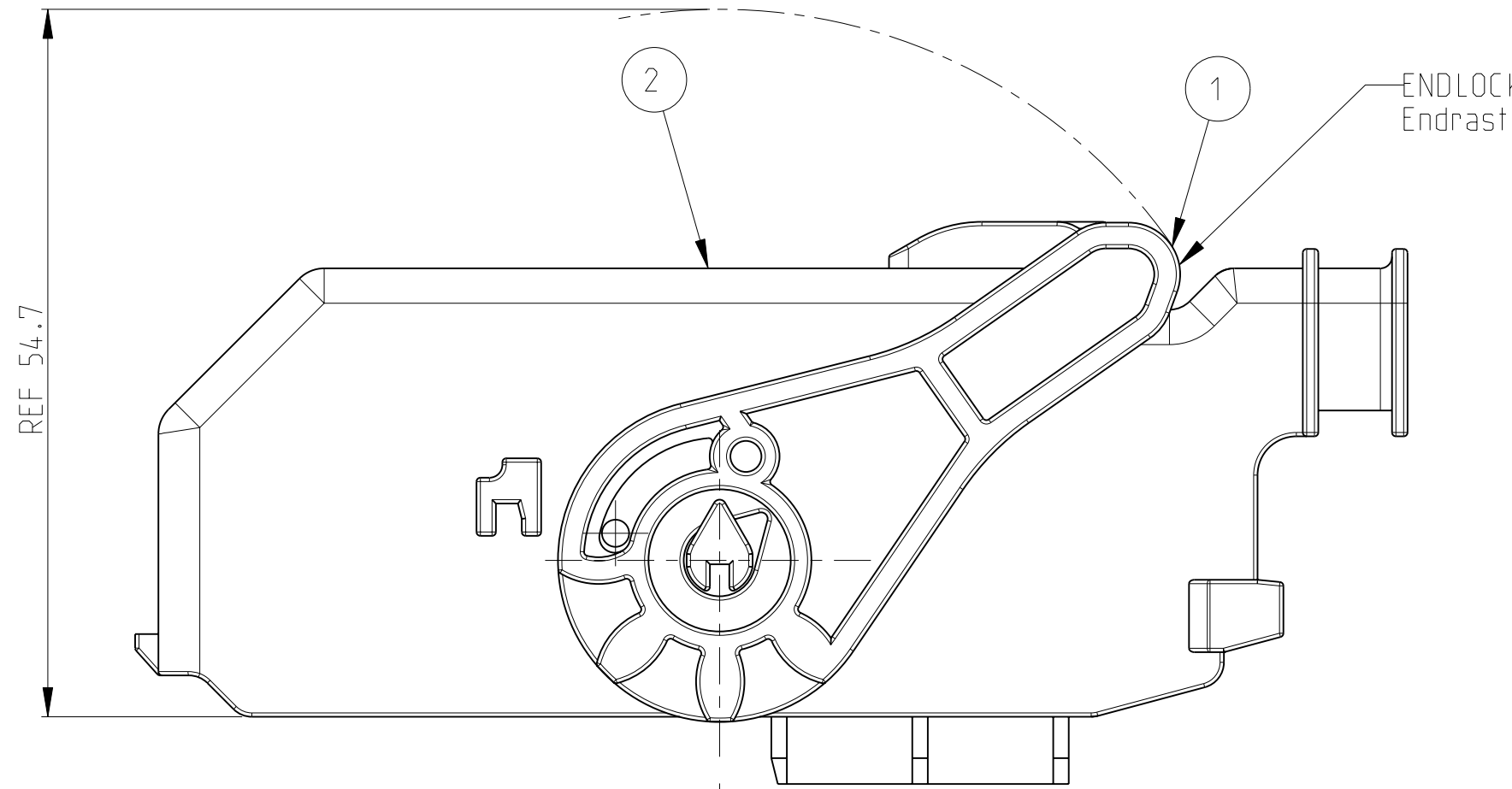
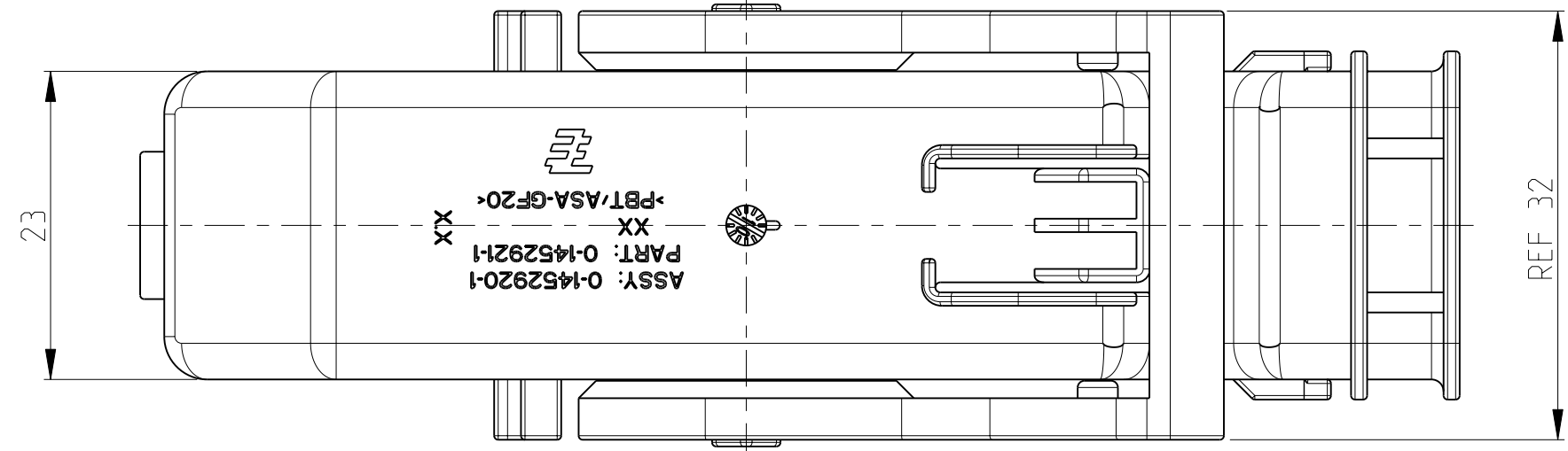


THIS DRAWING IS UNPUBLISHED. RELEASED FOR PUBLICATION 2003  
 © COPYRIGHT 2003 BY TYCO ELECTRONICS CORPORATION. ALL RIGHTS RESERVED.

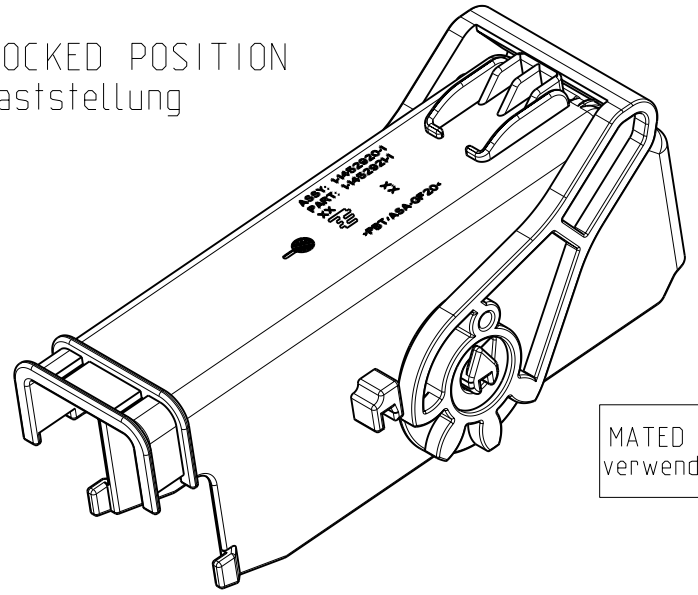
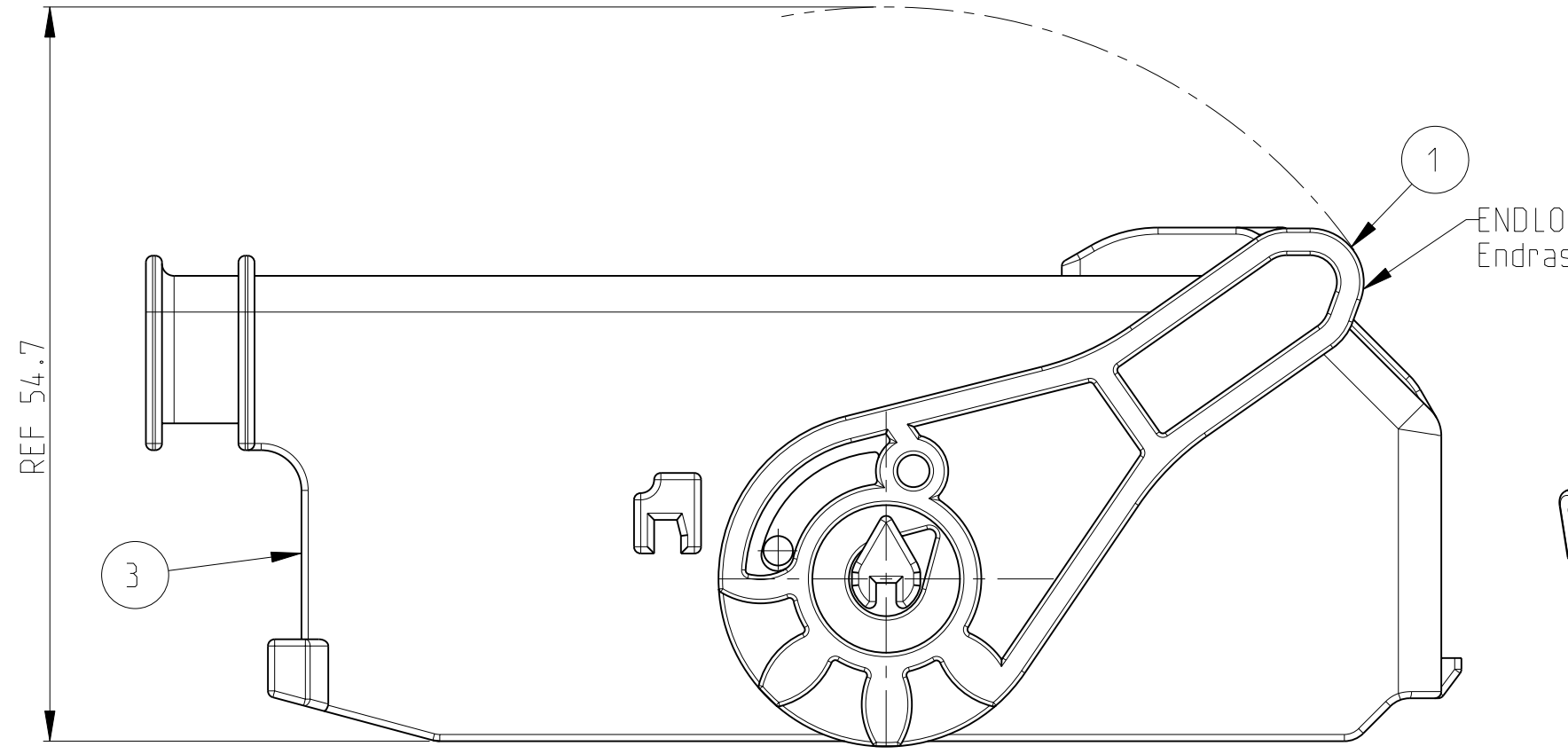
LOC		DIST		REVISIONS			
P	LTR	DESCRIPTION	DATE	DWN	APVD		
F		ECR-08-022164	03SEP2008	GP	GM		
F1		ECR-10-005202	11MAR2010	GP	GM		



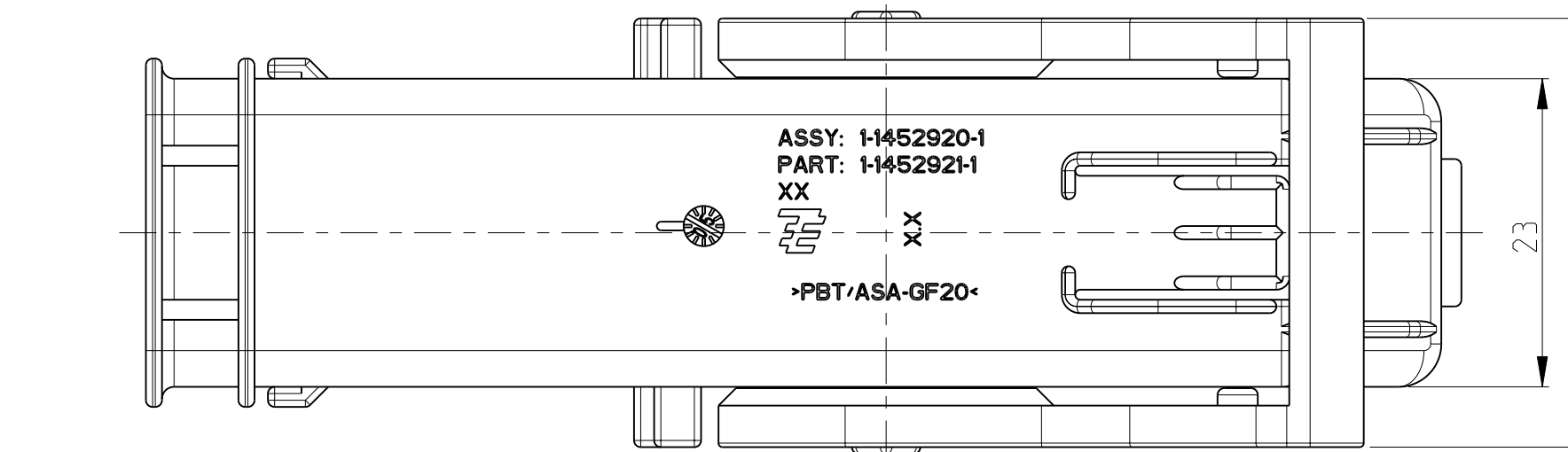
**0-1452920-1**  
**COVER FOR HARNESS ROUTING TO THE POWER-TERMINAL SIDE**  
 Kabelabgang in Richtung Power-Kontakte



NOTES:  
 Bemerkungen:  
 1 DELIVERY CONDITION: LEVER IN ENDOCK POSITION  
 Auslieferungszustand: Hebel in Endraststellung



**1-1452920-1**  
**COVER FOR HARNESS ROUTING TO THE SIGNAL-TERMINAL SIDE**  
 Kabelabgang in Richtung Signal-Kontakte



MATED WITH verwendet mit		0-1452915-2	0-1452915-2					
1x				1-1452921-1	30 POS. COVER	PBT/ASA-GF20	BLACK	3
				0-1452921-1	30 POS. COVER	PBT/ASA-GF20	BLACK	2
1x				0-1452922-1	30 POS. LEVER	PBT-GF20	RED	1
1-1452920-1		0-1452920-1		PART NO	DESCRIPTION	MATERIAL	COLOUR	ITEM NO
<b>C</b>		<b>D</b>		REVISION OF EACH ASSY NO (WHEN BLANK, USE DWG REVISION)				
-		-		WEIGHT OF EACH ASSY NO (g)				
PARTS LIST								

THIS DRAWING IS A CONTROLLED DOCUMENT FOR TYCO ELECTRONICS CORPORATION IT IS SUBJECT TO CHANGE AND THE CONTROLLING ENGINEERING ORGANIZATION SHOULD BE CONTACTED FOR THE LATEST REVISION.		DWN G.PUCKEL 20FEB2004	Tyco Electronics AMP GmbH D - 64625 Bensheim	
DIMENSIONS: mm		CHK K.ROTH 20FEB2004	NAME 30POS. CONNECTOR COVER ASSY	
TOLERANCES UNLESS OTHERWISE SPECIFIED: 0 PLC ±0.5 1 PLC ±0.5 2 PLC ±0.5 3 PLC ± 4 PLC ± ANGLES ±°		APVD G.MUMPER 20FEB2004	RESTRICTED TO	
MATERIAL FINISH		PRODUCT SPEC	SIZE A2	CAGE CODE 00779
		APPLICATION SPEC	DRAWING NO C-1452920	REV F1
		WEIGHT	SCALE 2:1 SHEET 1 OF 1	
		CUSTOMER DRAWING		