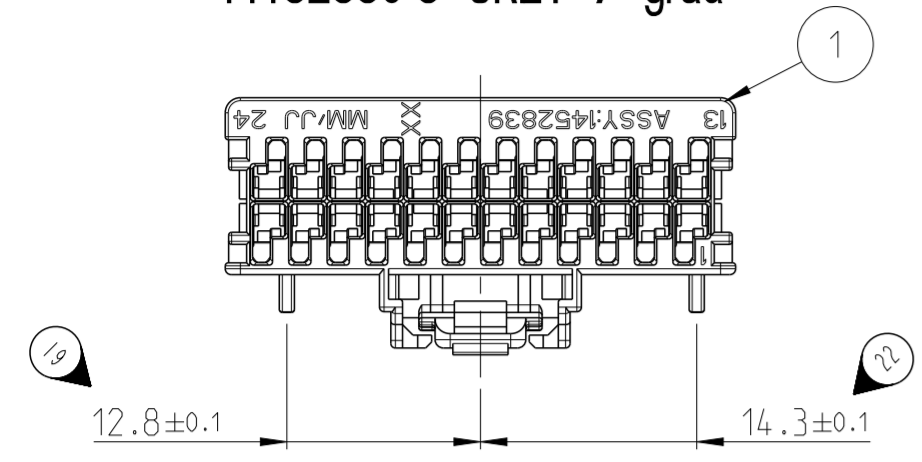
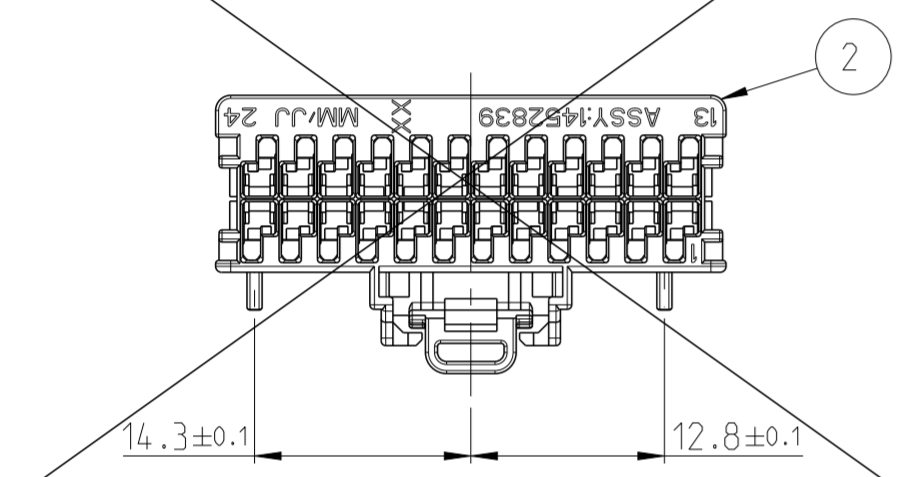


LOC	DIST	REVISIONS			
P	LTR	DESCRIPTION	DATE	DWN	APVD
C1	ECR-11-008286		19APR2011	PT	GM
C2	ECR-14-018505		11DEC2014	SS	PT

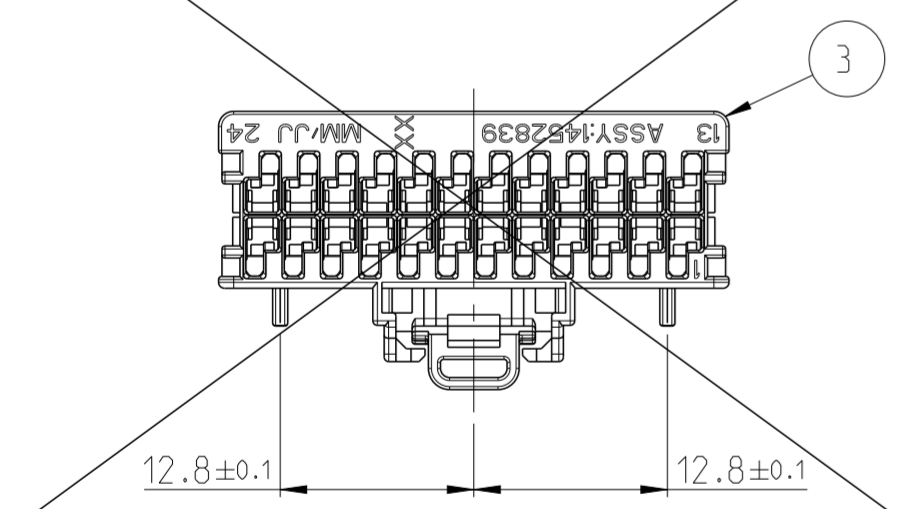
CODING A / Kodierung A
0-1452839-5 BLACK / schwarz
1-1452839-5 GREY / grau



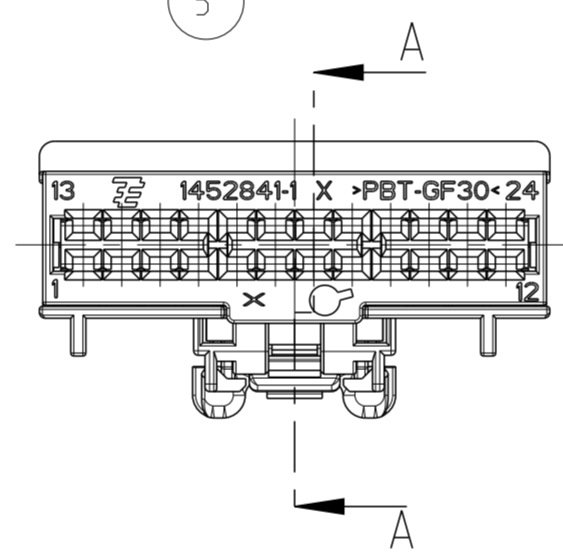
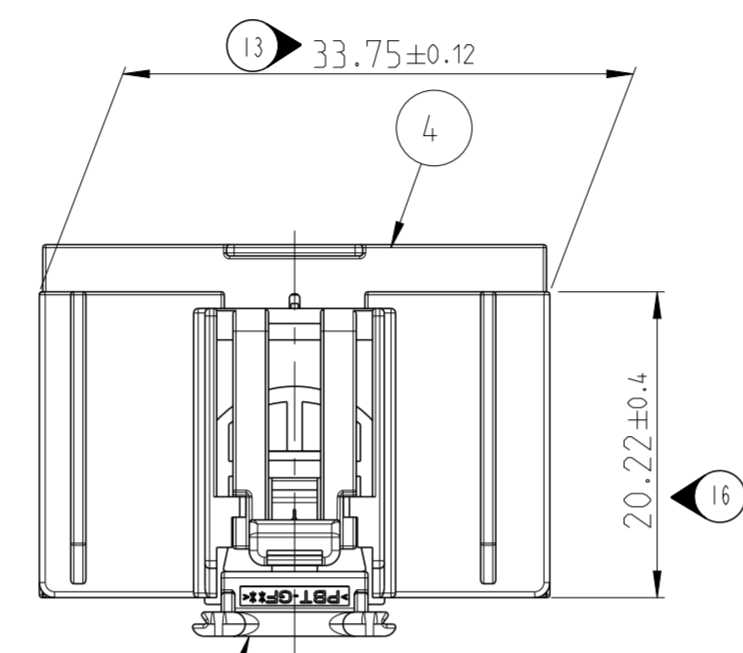
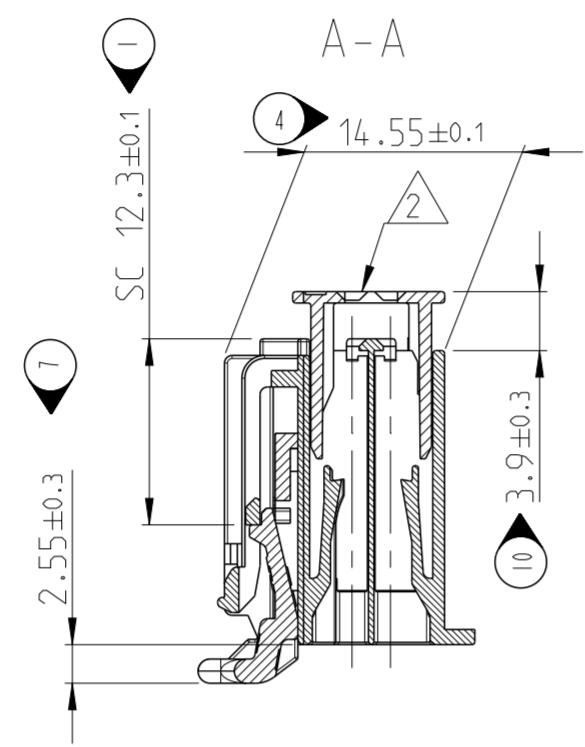
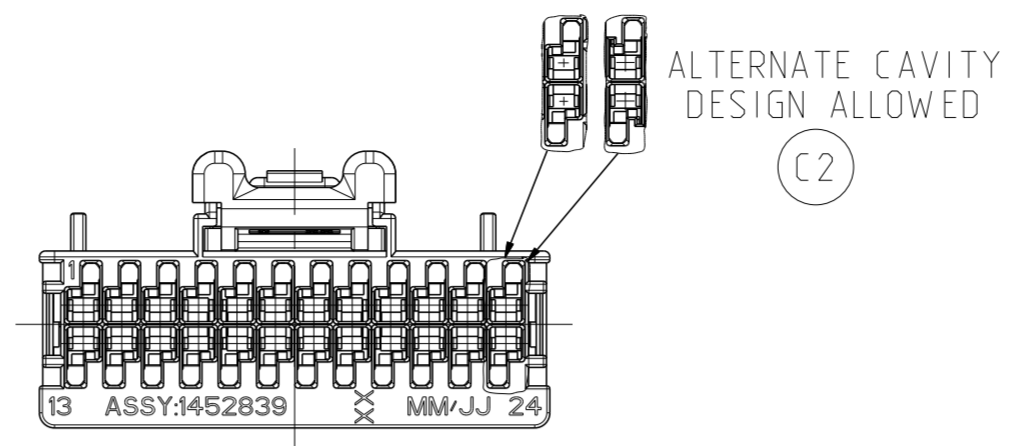
CODING B / Kodierung B
0-1452839-2 BLACK / schwarz



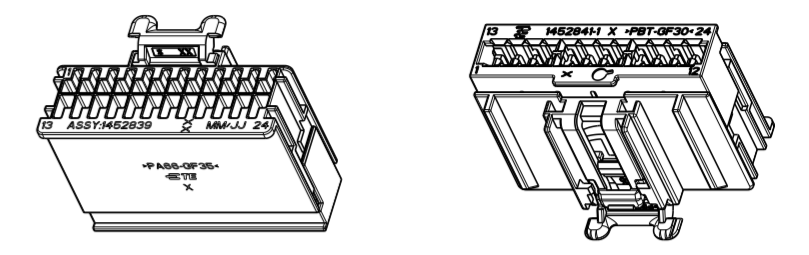
CODING C / Kodierung C
0-1452839-3 BLACK / schwarz



TERMINALS FORD PN	TERMINALS TE PN	FINISH	WIRE SIZE (mm ²)	NOTES
Ford Kontakt PN	TE Kontakt PN	Oberflaeche	Drahtquerschnitt (mm ²)	Bemerkungen
9U5T-14474-MA	0-1719958-1	TIN PLATE	0.50-0.75 mm ²	GET 2ND GENERATION
9U5T-14474-LA	0-1719957-1	TIN PLATE	0.22-0.35 mm ²	GET 2ND GENERATION
3F2T-14474-RA	0-1393366-1	TIN PLATE	0.50-0.75 mm ²	GET
3F2T-14474-SA	0-1393367-1	TIN PLATE	0.22-0.35 mm ²	GET
1L2T-14474-CA	0-1393365-1	GOLD PLATE	0.50-0.75 mm ²	GET
1L2T-14474-DA	0-1393364-1	GOLD PLATE	0.22-0.35 mm ²	GET



- NOTES:
Bemerkungen:
- 1 MATED WITH TE-PN 114-18632
Passend zu TE-PN 114-18632
 - 2 DELIVERY CONDITION: SPACER IN PRE-LOCKED POSITION
Anlieferungszustand: Spacer in Vorraststellung
 - 3 CONTACT SYSTEM: GET
Kontaktsystem: GET
 - SC SIGNIFICANT CHARACTERISTIC
Significantes Merkmal
 - 4 INTERFACE SIGNAL PINS DIMENSIONS
FROM 0.64 x 0.64 mm TO 1.2 x 0.64 mm
Dimensionen der Stifte in der Schnittstelle
von 0.64 x 0.64 mm bis 1.2 x 0.64 mm
- PART NUMBER 0-1452839-1 SUPERSEADED BY 0-1452839-5
AND 1-1452839-1 SUPERSEADED BY 1-1452839-5
- LATEST VALID REVISION OF 0-1452839-1 AND 1-1452839-1
SEE TE-DRAWING 1452839 REV B2



QTY	DESCRIPTION	COLOUR	ITEM NO
1x	PBT-GF20 CPA UNSEALED	RED	5
1x	PBT-GF30 24POS. SPACER	RED	4
-	PA66-GF35 24POS. FEMALE HOUSING CODING C	BLACK	3
-	PA66-GF35 24POS. FEMALE HOUSING CODING B	BLACK	2
1x	PA66-GF35 24POS. FEMALE HOUSING CODING A	GREY	1
-	PA66-GF35 24POS. FEMALE HOUSING CODING A	BLACK	1
-	MATERIAL	DESCRIPTION	COLOUR
REVISION OF EACH ASSY NO (WHEN BLANK, USE DWG REVISION)			
WEIGHT OF EACH ASSY NO (g)			
1-1452839-9	0-1452839-9	0-1452839-3	0-1452839-2
-	-	-	-
6.35	6.35	6.00	6.00
1-1452839-9	0-1452839-9	0-1452839-3	0-1452839-2
-	-	-	-
-	-	669T-14489-BZB	669T-14489-AZB
-	-	669T-14489-BZA	669T-14489-AZA
A	A	C	B
A	A	A	A

THIS DRAWING IS A CONTROLLED DOCUMENT.

DIMENSIONS: mm

TOLERANCES UNLESS OTHERWISE SPECIFIED:

0 PLC	±
1 PLC	±
2 PLC	±
3 PLC	±
4 PLC	±
ANGLES	±5°
FINISH	

MATERIAL: -

DWN: G.PUCKEL 05FEB2004
 CHK: K.ROTH 05FEB2004
 APVD: G.MUMPER 05FEB2004

PRODUCT SPEC: -
 APPLICATION SPEC: 408-8599
 WEIGHT: -

CUSTOMER DRAWING

NAME: 24 POS. FEMALE HOUSING ASSY (24 x GET)

SIZE: A2 CAGE CODE: 00779 DRAWING NO: C-1452839 RESTRICTED TO: -

SCALE: 2:1 SHEET 1 OF 1 REV: C2