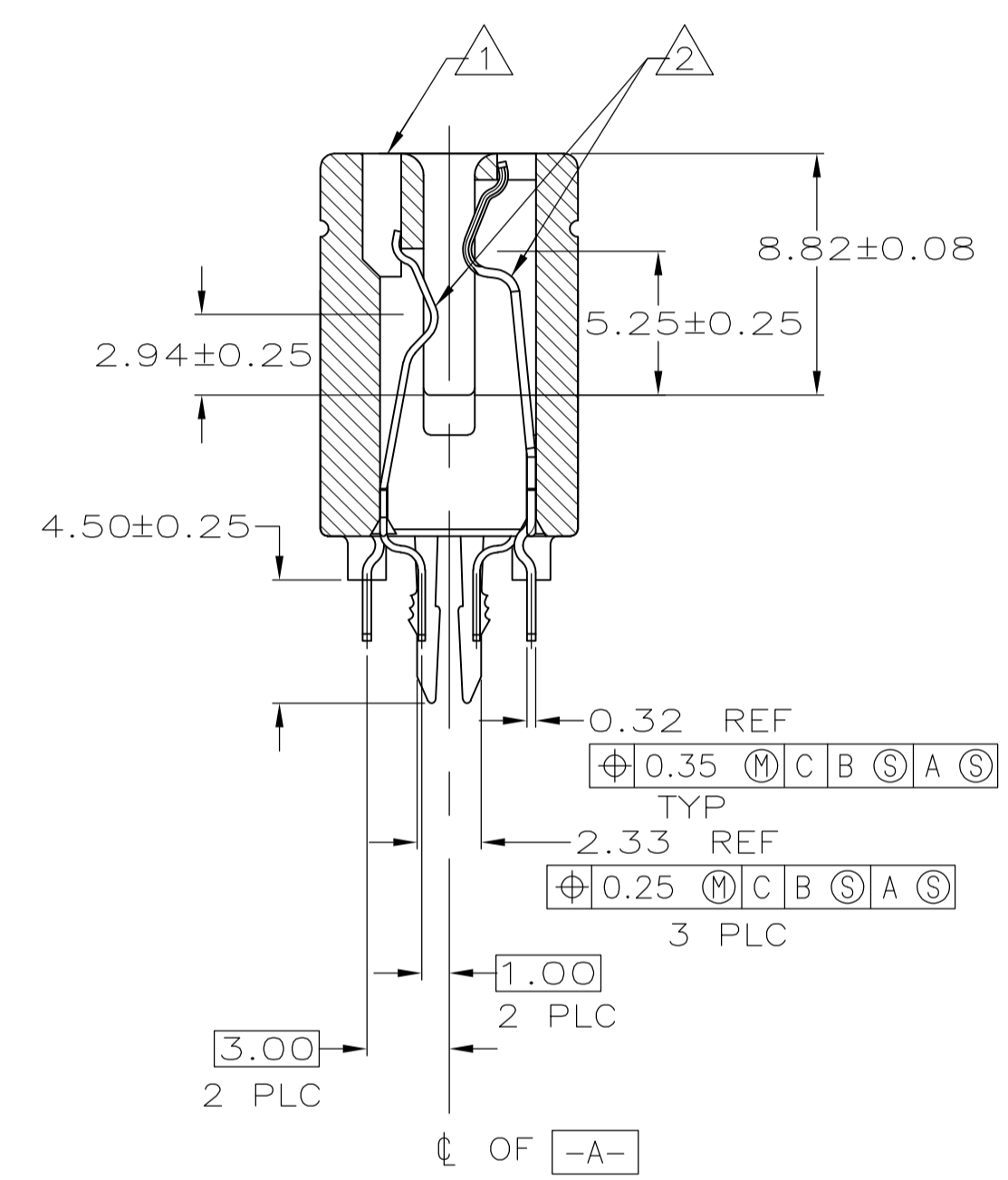
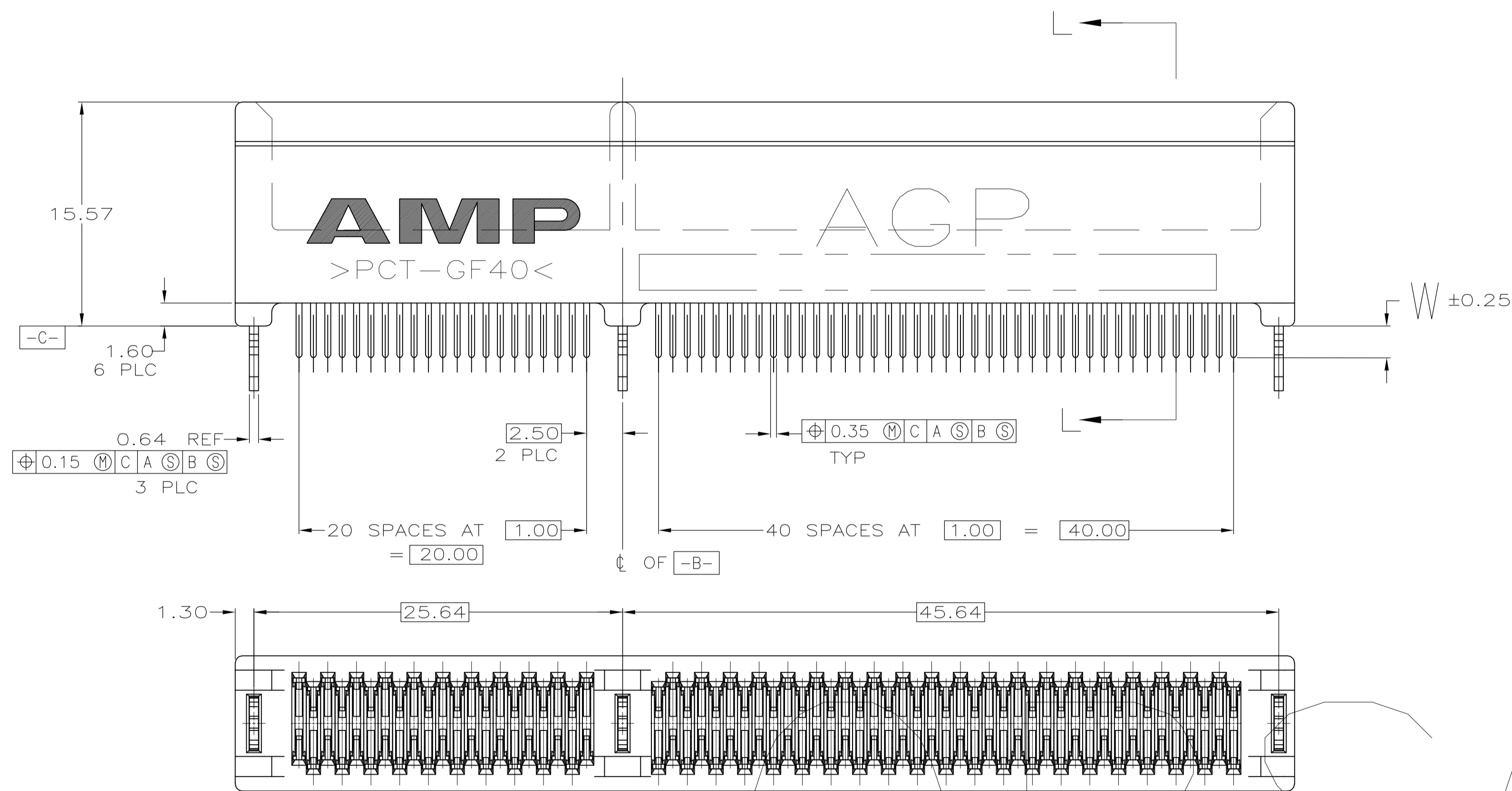
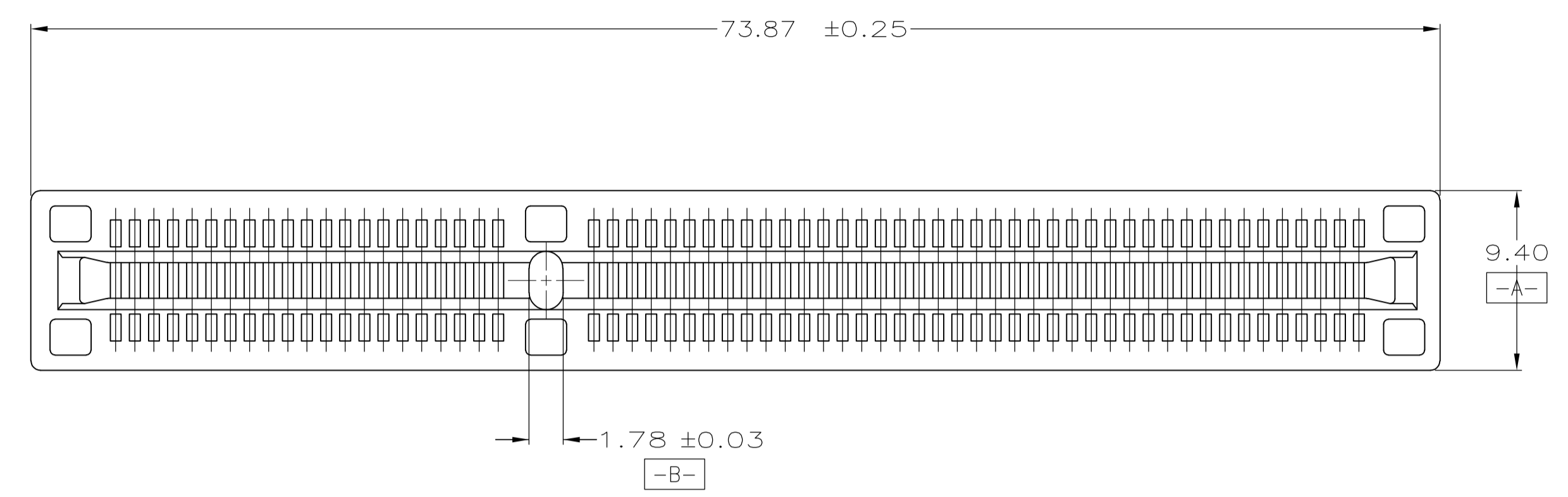


REVISIONS					
REV	DESCRIPTION	DATE	BY	CHK	APPV
H2	REVISED PER 0430-0163-97	5/15/97	RB	MB	
B	REVISED PER 0430-0204-97	6/3/97	RB	MB	
C	REVISED PER 0430-0286-97	8/14/97	RB	MB	
D	REVISED PER 0G51-0101-98	7/15/98	RB	DD	
E	REVISED PER 0G51-0107-98	8/4/98	RB	DD	
F	REV PER EC 0G51-0226-98	01/17/99	MM	EL	
G	REV PER EC 0G51-0294-98	01/20/99	MM	DD	
H	REV PER 0G51-0062-99	05/17/99	MM	EL	
H1	REV PER ECO-09-021826	07JAN10	KW	AEG	
H2	OBSOLETE PER ECR-17-006482	09MAY2017	SZ	SZ	



SECTION L-L

- △ MATERIAL: HOUSING, THERMOPLASTIC, COLOR: BROWN.
CONTACTS, PHOSPHOR BRONZE.
HOLD-DOWNS, BRASS.
- △ FINISH: CONTACTS, 1.27 MIN. MICROMETERS NICKEL ALL OVER,
0.38 MIN. MICROMETERS GOLD OVER NICKEL IN CONTACT AREA,
2.54 MIN MICROMETERS TIN-LEAD OVER NICKEL ON SOLDER TAILS.
- △ FINISH: CONTACTS, 1.27 MIN. MICROMETERS NICKEL ALL OVER,
0.0254-0.0762 MICROMETERS GOLD OVER NICKEL IN CONTACT AREA.
2.54 MIN. MICROMETERS TIN-LEAD OVER NICKEL ON SOLDER TAILS.
- △ OBSOLETE PARTS: OBSOLETE CIS STREAMLINING PER D.RENAUD/D.SINISI

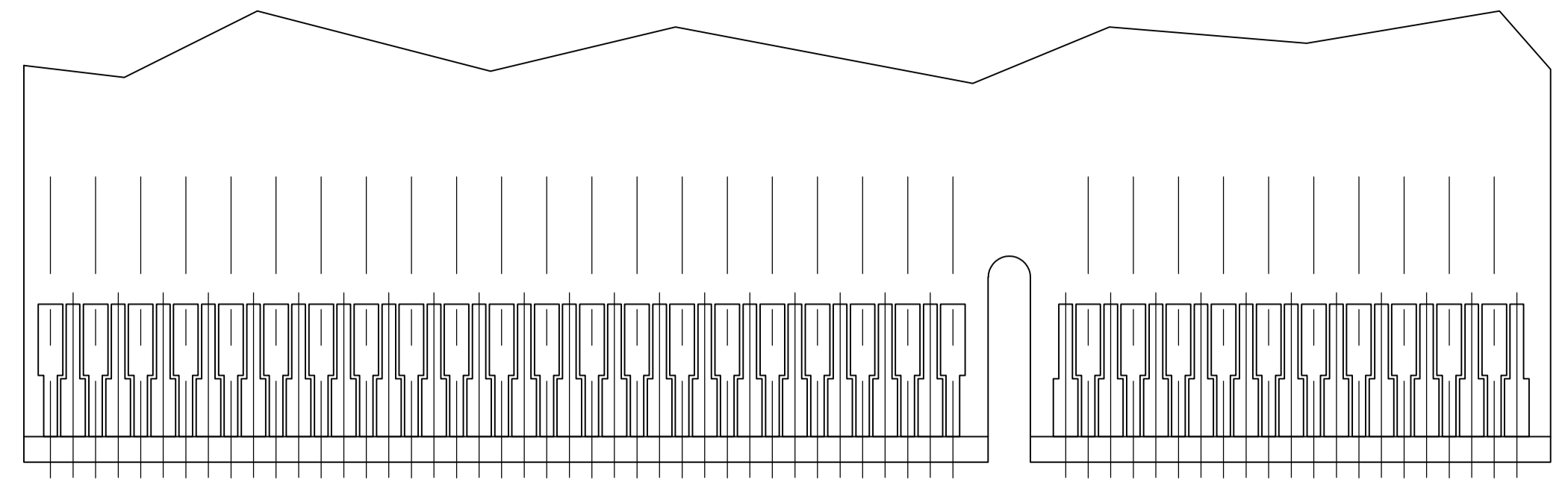
△ OBSOLETE	△	3.18	145263-6
OBSOLETE	△	2.54	145263-5
OBSOLETE	△	3.18	145263-3
OBSOLETE	△	2.54	145263-2
OBSOLETE	△	2.16	145263-1
PLATING	W		PART NO

THIS DRAWING IS A CONTROLLED DOCUMENT.

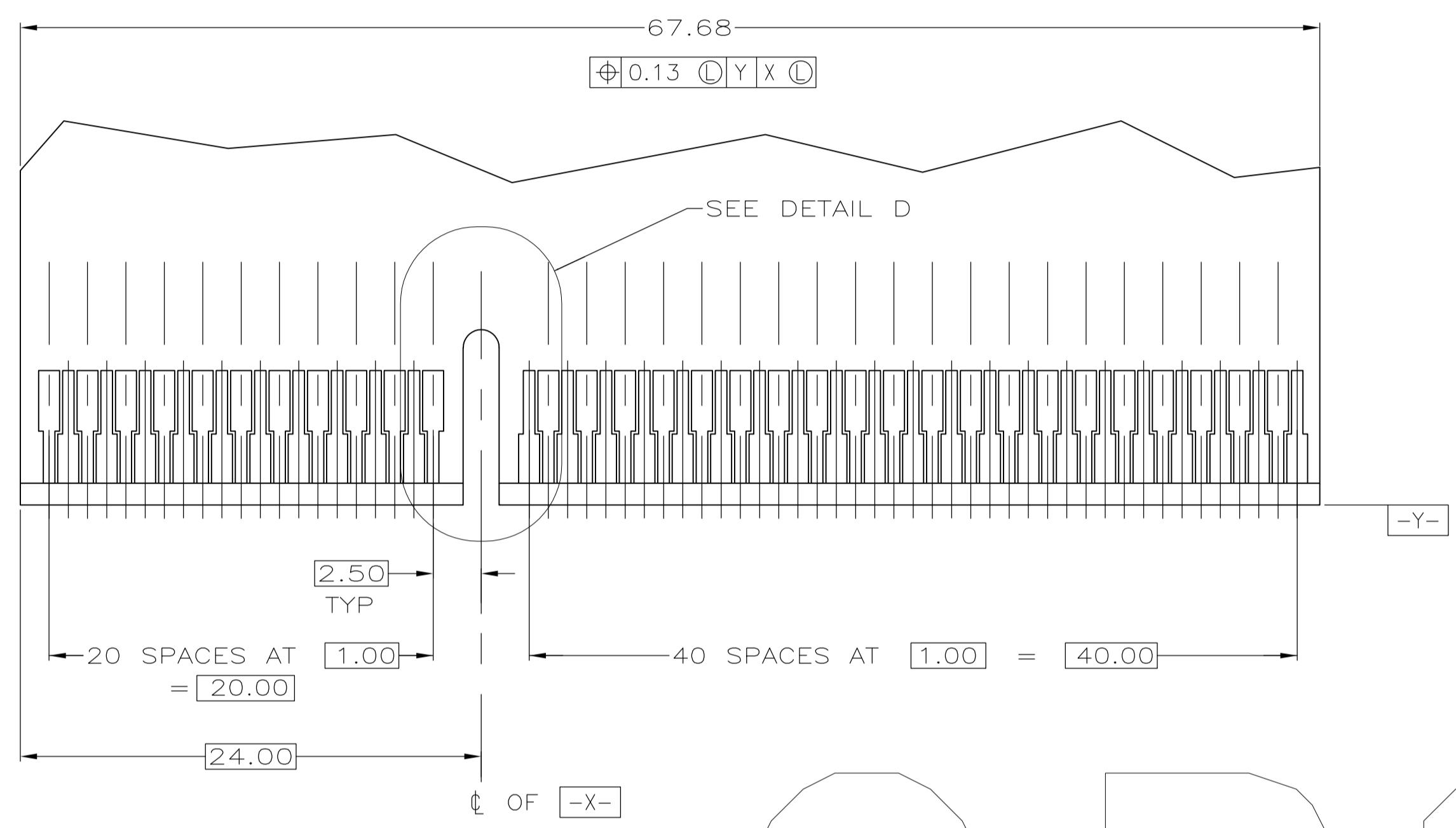
DIMENSIONS: mm	TOLERANCES UNLESS OTHERWISE SPECIFIED:	DIN R BROWN 1/7/97	CHK M BOWERS 1/7/97	APVD D SARVER 1/7/97	NAME
0 PLC ± -	1 PLC ± -				ASSEMBLY, 124 POSITION
2 PLC ± 0.13	3 PLC ± -				1mm, CARD EDGE CONNECTOR
4 PLC ± -	ANGLES ± 9°				
MATERIAL △	FINISH △△	SIZE	CAGE CODE	DRAWING NO	RESTRICTED TO
		WEIGHT 0	A1	00779	145263
		CUSTOMER DRAWING	SCALE 4:1	SHEET 1 OF 2	REV H2

STE TE Connectivity

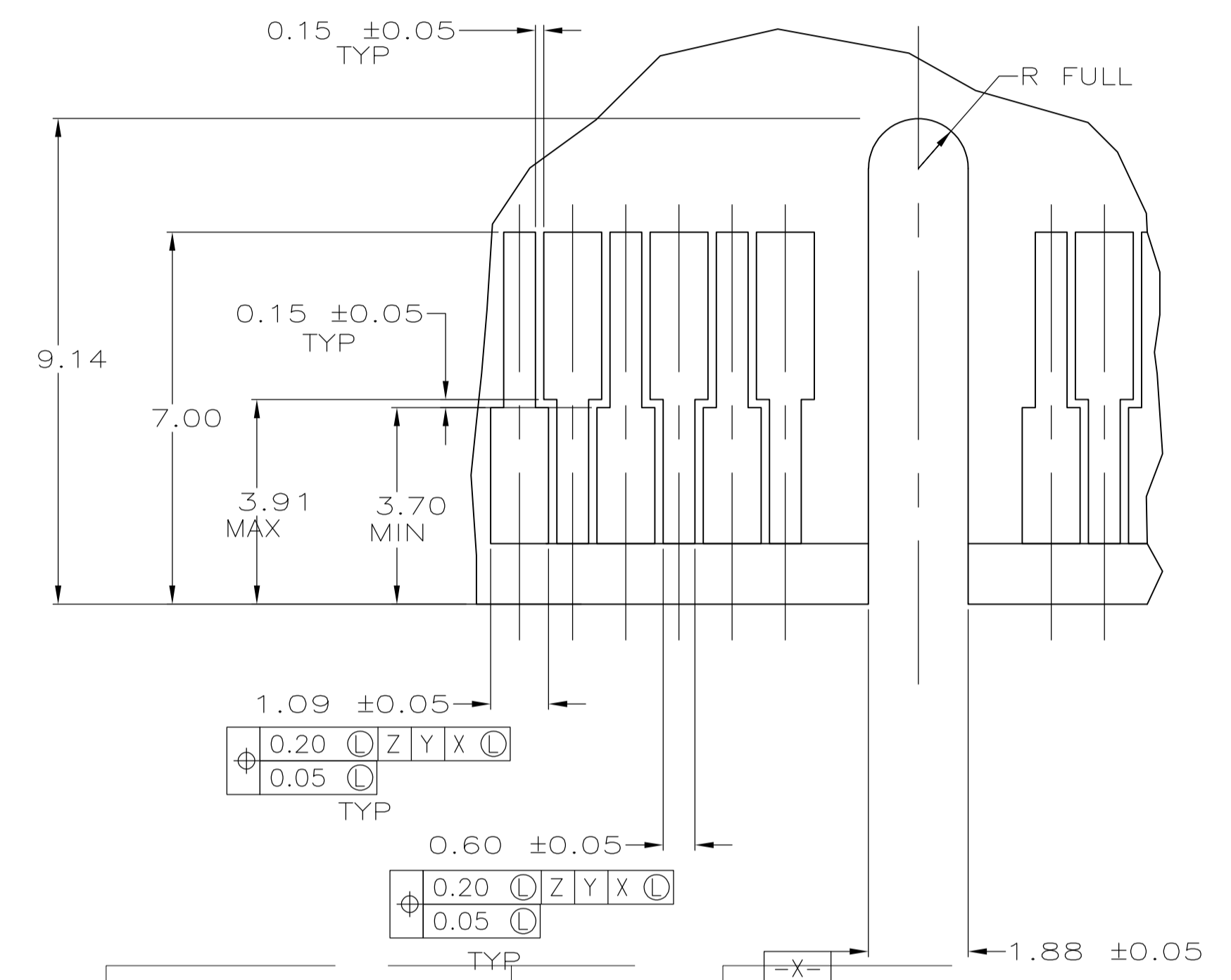
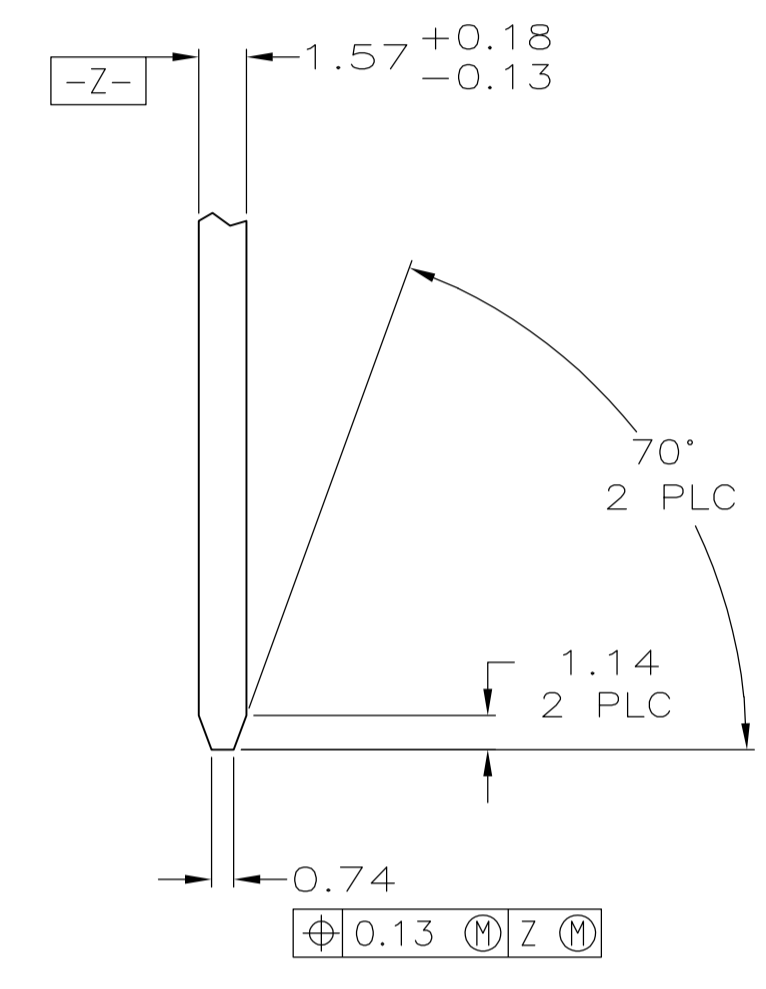
REVISIONS				
REV	DATE	DESCRIPTION	BY	APPD
1	1/7/97	SEE SHEET 1		



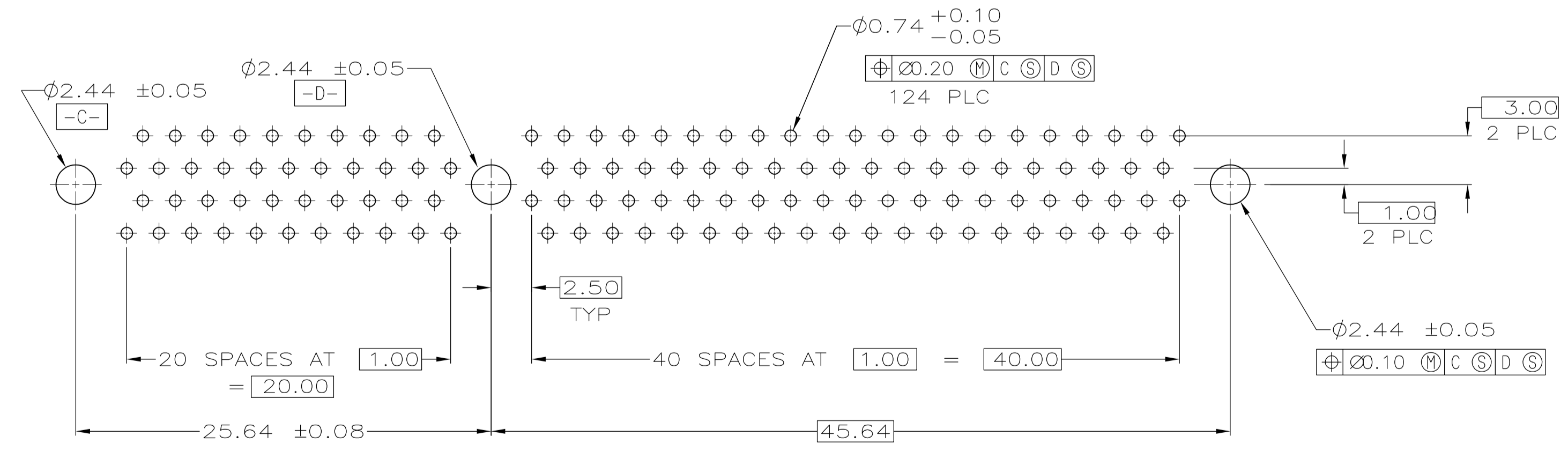
RECOMMENDED CONNECTOR MATING PAD PATTERN
(SECONDARY SIDE SHOWN)



RECOMMENDED CONNECTOR MATING PAD PATTERN
(PRIMARY SIDE SHOWN)



DETAIL D
SCALE 10:1



RECOMMENDED CONNECTOR MOUNTING HOLE PATTERN
(CONNECTOR SIDE SHOWN)

THIS DRAWING IS A CONTROLLED DOCUMENT.		DWN R. BROWN 1/7/97	
DIMENSIONS: mm		CHK M. BOWERS 1/7/97	
TOLERANCES UNLESS OTHERWISE SPECIFIED:		APP'D D. SARVER 1/7/97	NAME
0 PLC	± -	ASSEMBLY, 124 POSITION	
1 PLC	± -	1mm CARD EDGE CONNECTOR	
2 PLC	± 0.13	-	
3 PLC	± -	-	
4 PLC	± -	-	
ANGLES	± 2°	-	
FINISH	SEE TABLE	-	
MATERIAL		SIZE	RESTRICTED TO
-		A1	-
CUSTOMER DRAWING		WEIGHT	SCALE
-		-	4:1
-		SHEET	REV
-		2	H2