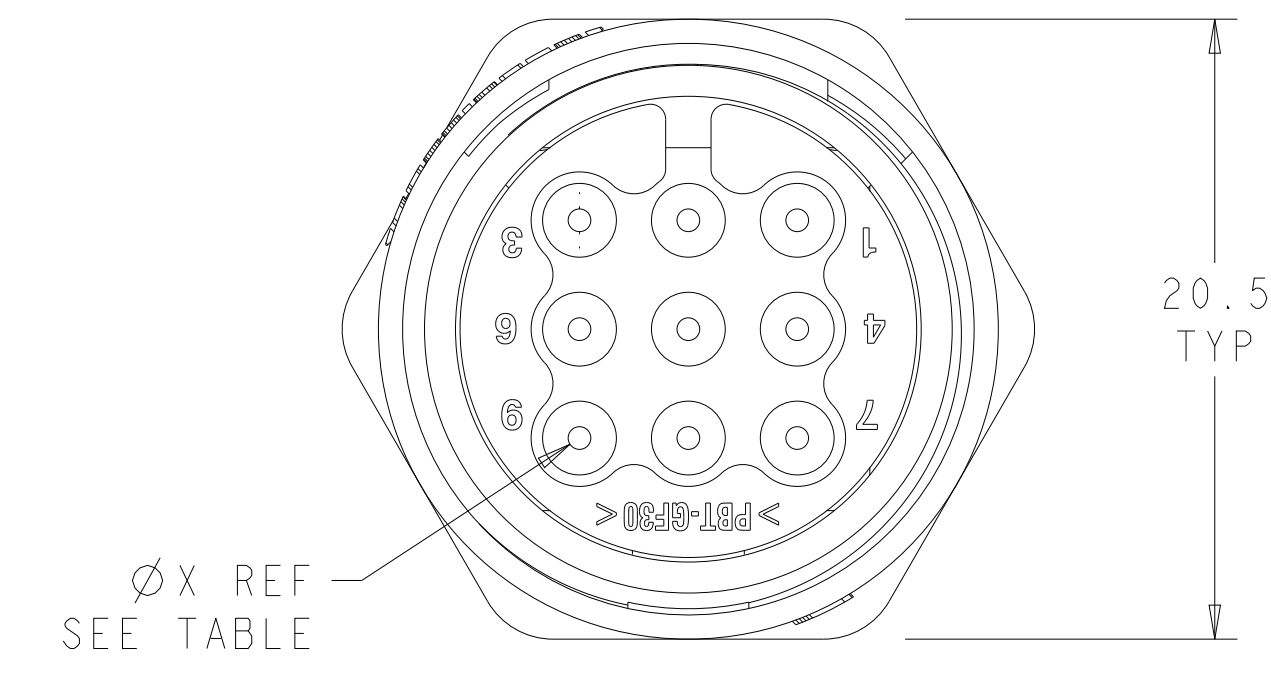
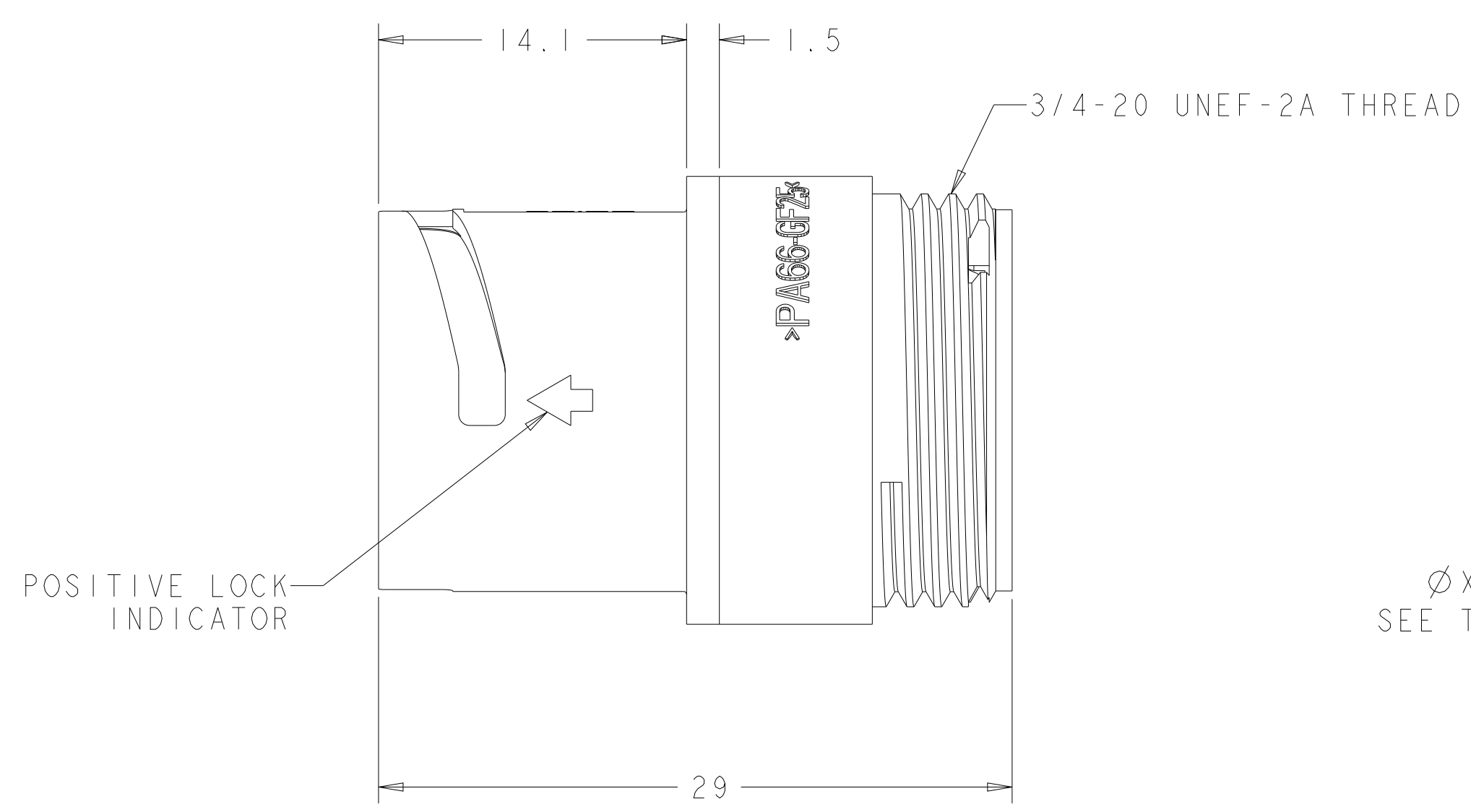
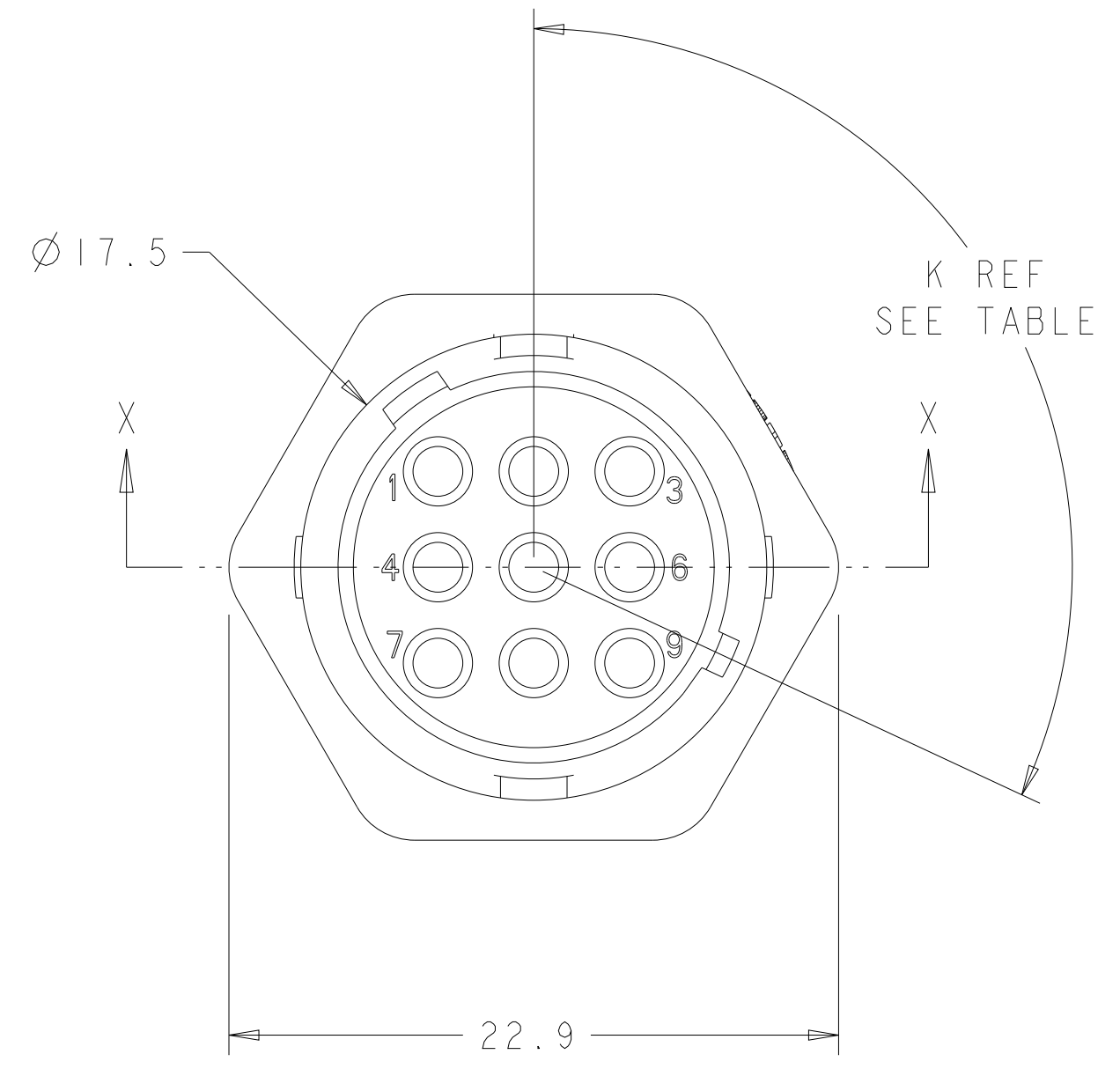
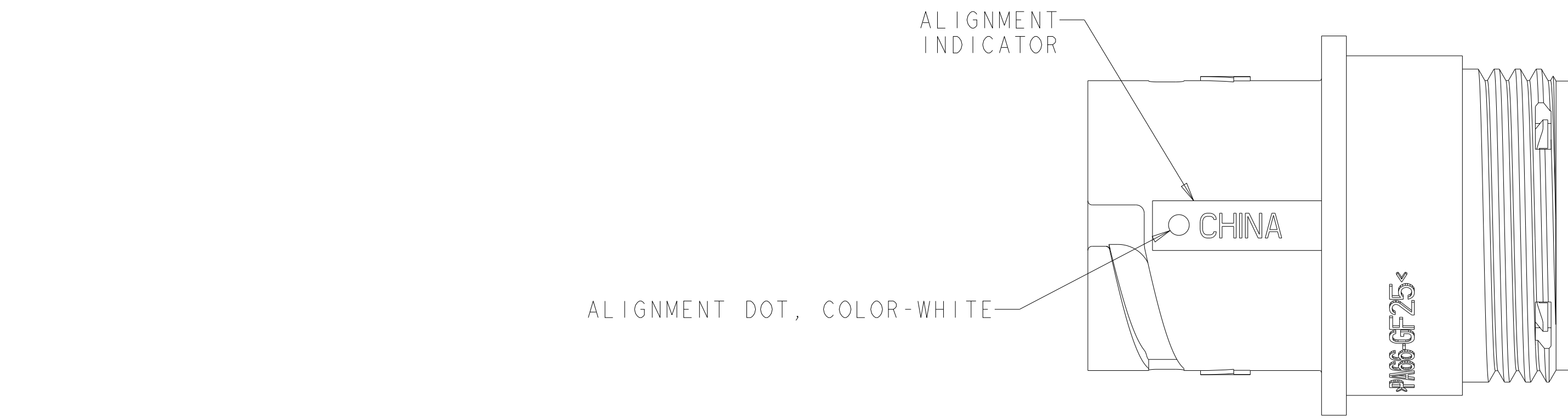
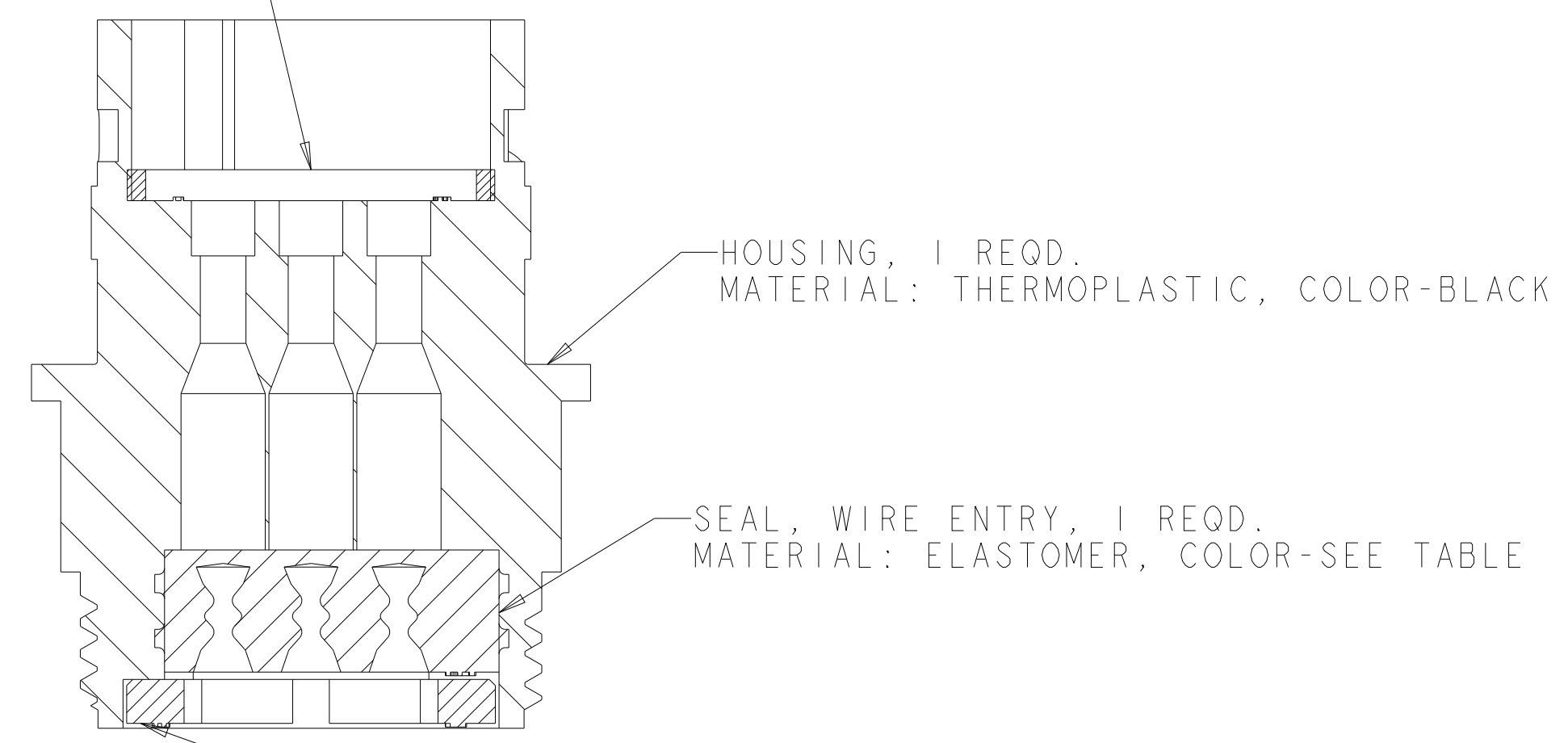


REVISIONS				
P	LTN	DESCRIPTION	DATE	OWN APVD
D		REVISED PER ECN-22-136865	01FEB2022	RK MZ



SEAL, PERIPHERAL, I REQD.
 MATERIAL: ELASTOMER, COLOR-BLACK



SECTION X-X

OBSOLETE	YELLOW	Ø0.75	135°	1445825-04
	NATURAL	Ø1.5	115°	1445825-03
OBSOLETE	NATURAL	Ø1.5	135°	1445825-02
	YELLOW	Ø0.75	115°	1445825-01
	SEAL, WIRE ENTRY COLOR	ØX REF	K REF	PART NUMBER

THIS DRAWING IS A CONTROLLED DOCUMENT.		OWN SHANE WIESE 22OCT2001	TE Connectivity	
DIMENSIONS:		CHK G DOUTY 22OCT2001		
mm	0 PLC ±	APVD H. WAKEEM 13JUN2003	NAME ASSEMBLY, SIZE 11, 9 POSITION, FREE HANGING, SEALED, MINI CPC	
	1 PLC ±	PRODUCT SPEC	SIZE CAGE CODE DRAWING NO RESTRICTED TO	
	2 PLC ±0.13	APPLICATION SPEC	A100779C=1445825	
	3 PLC ±	WEIGHT	SCALE 4:1 SHEET 1 OF 1 REV D	
	4 PLC ±	Customer Drawing		
	ANGLES FINISH			