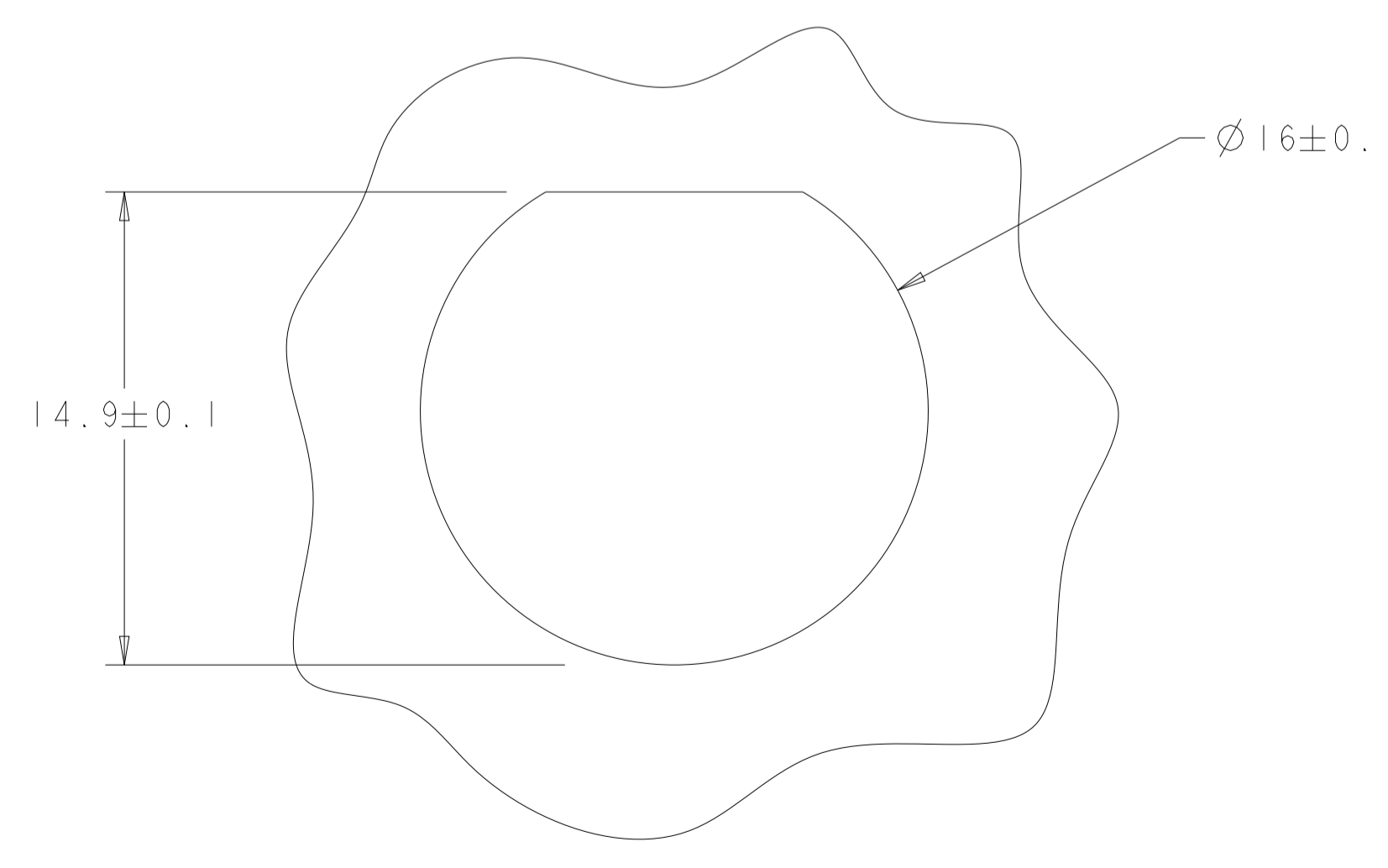
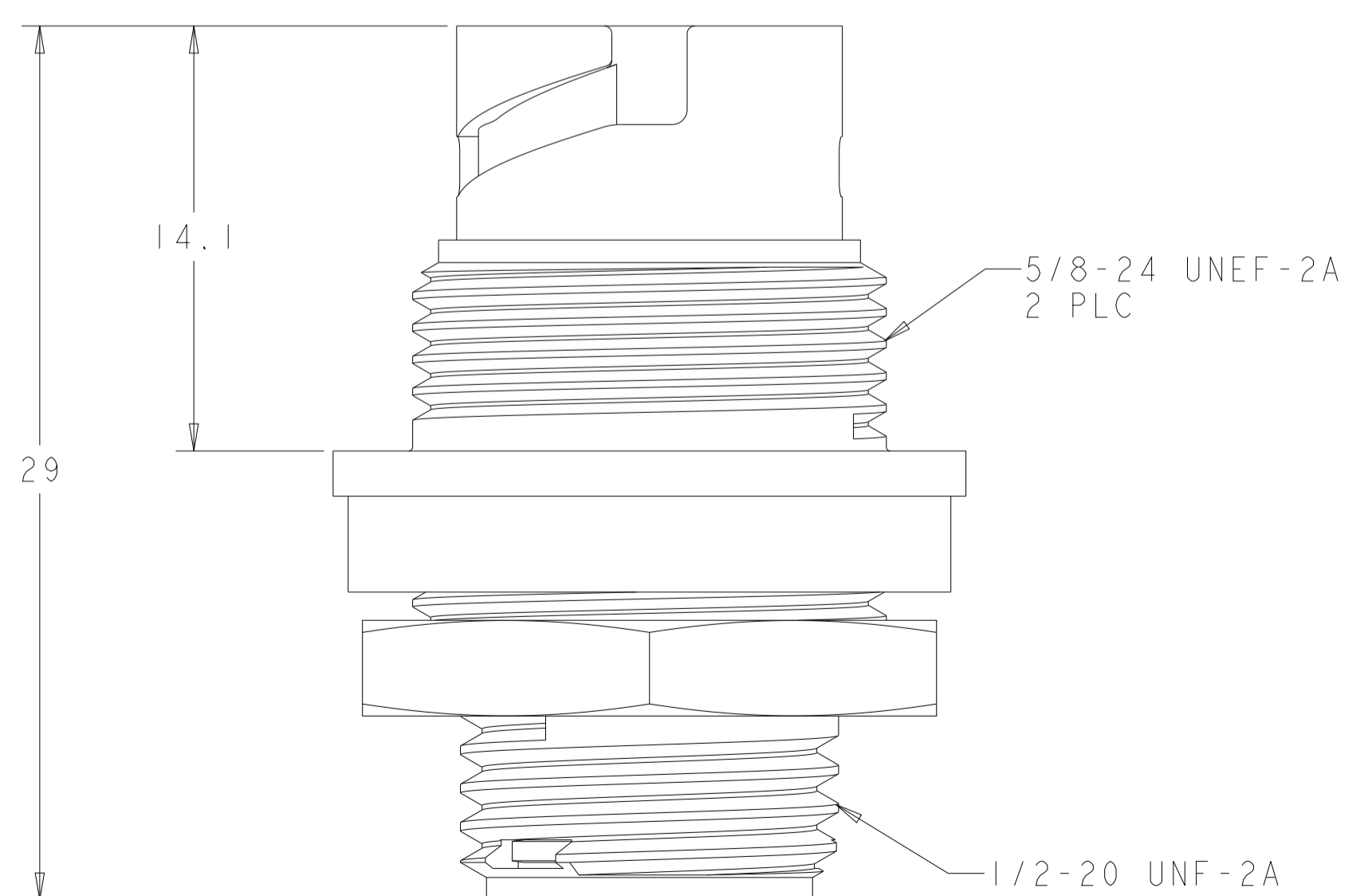
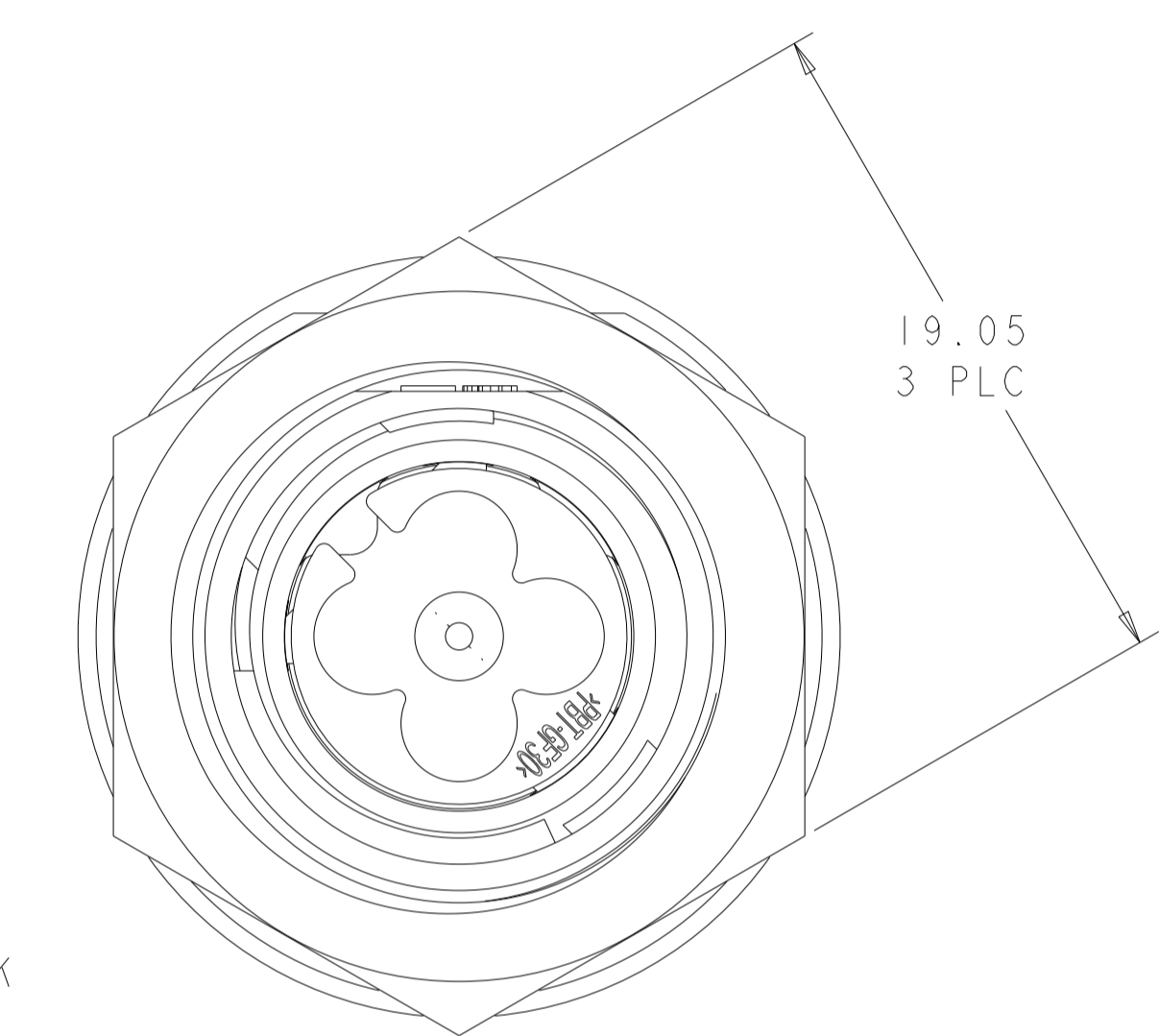
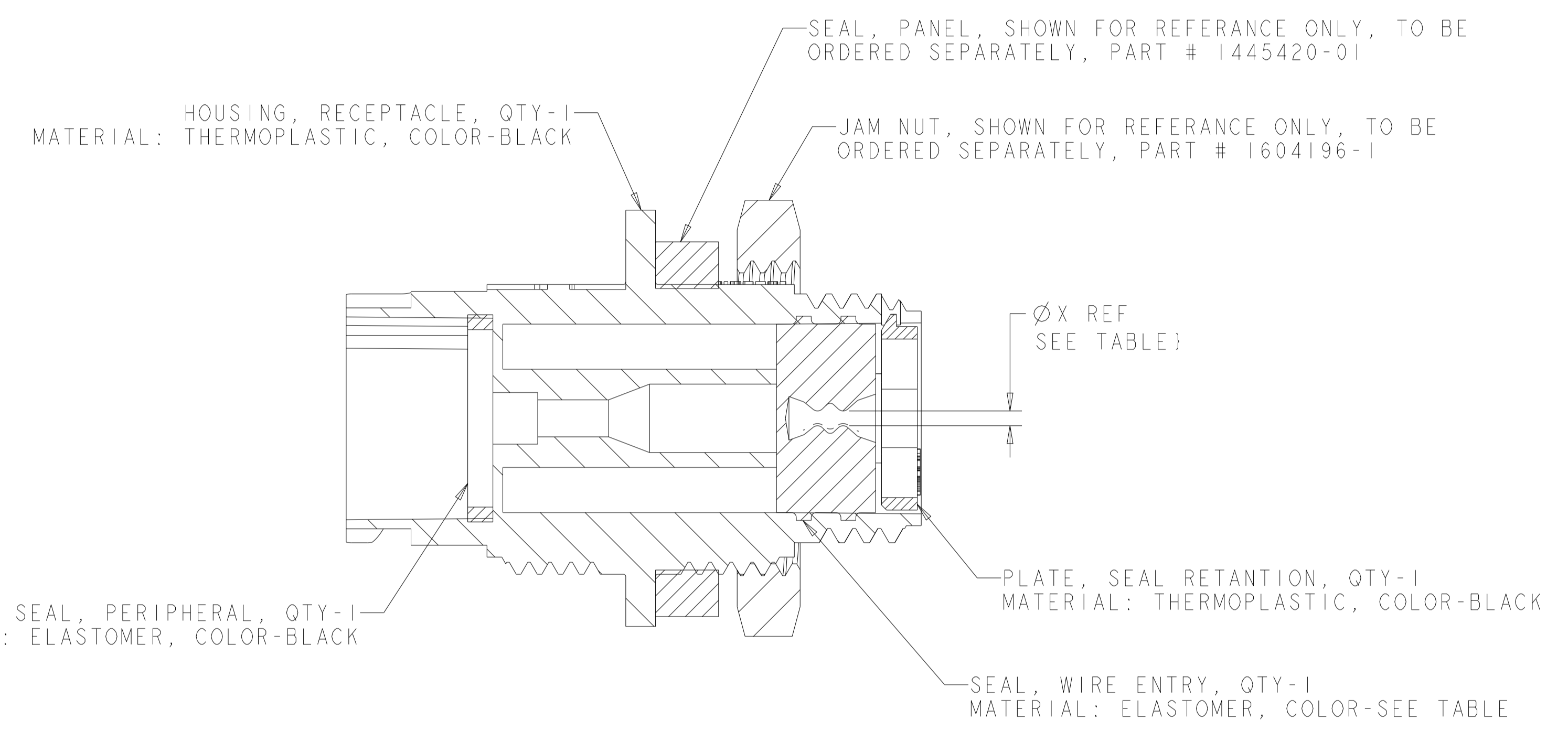
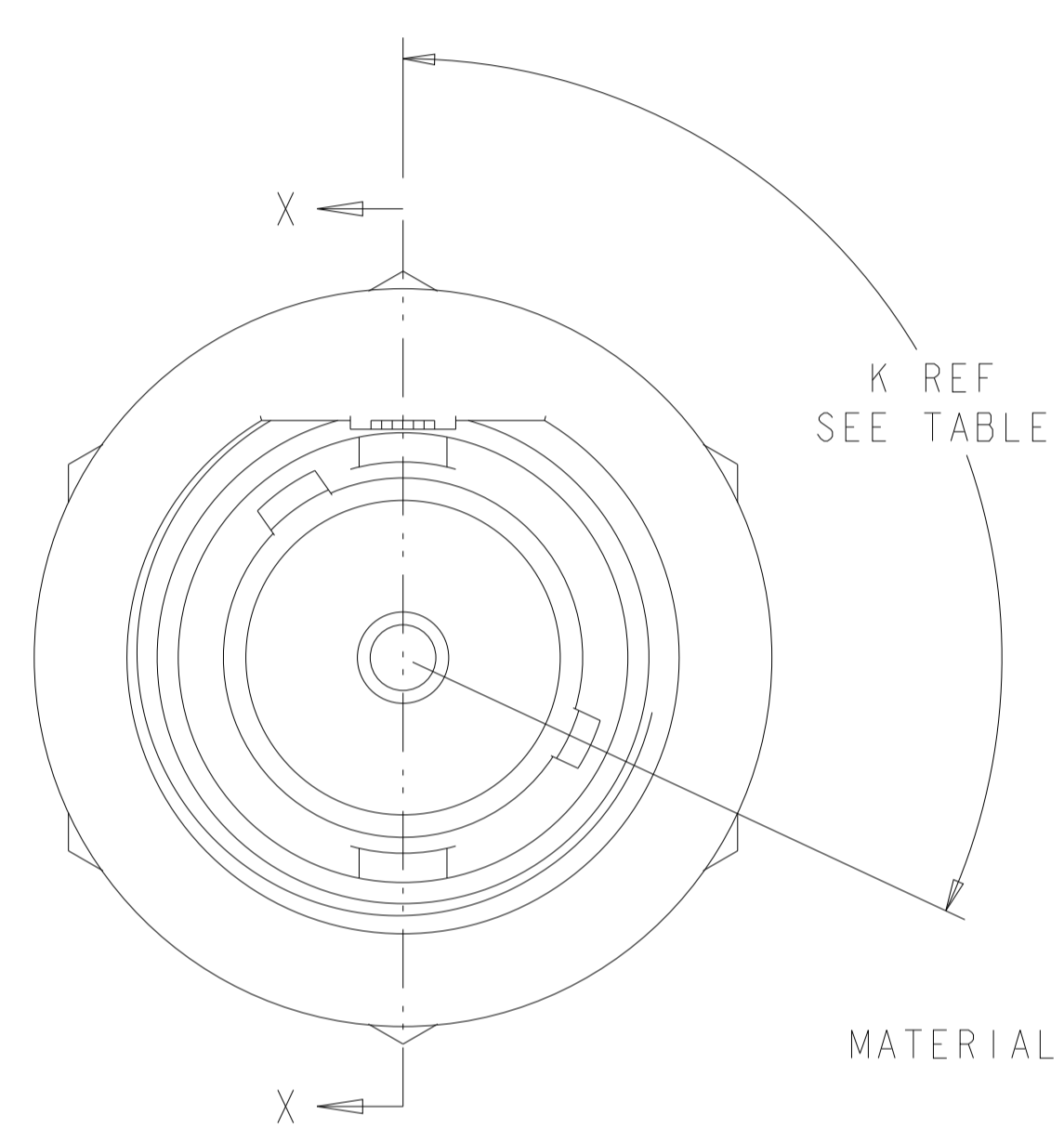
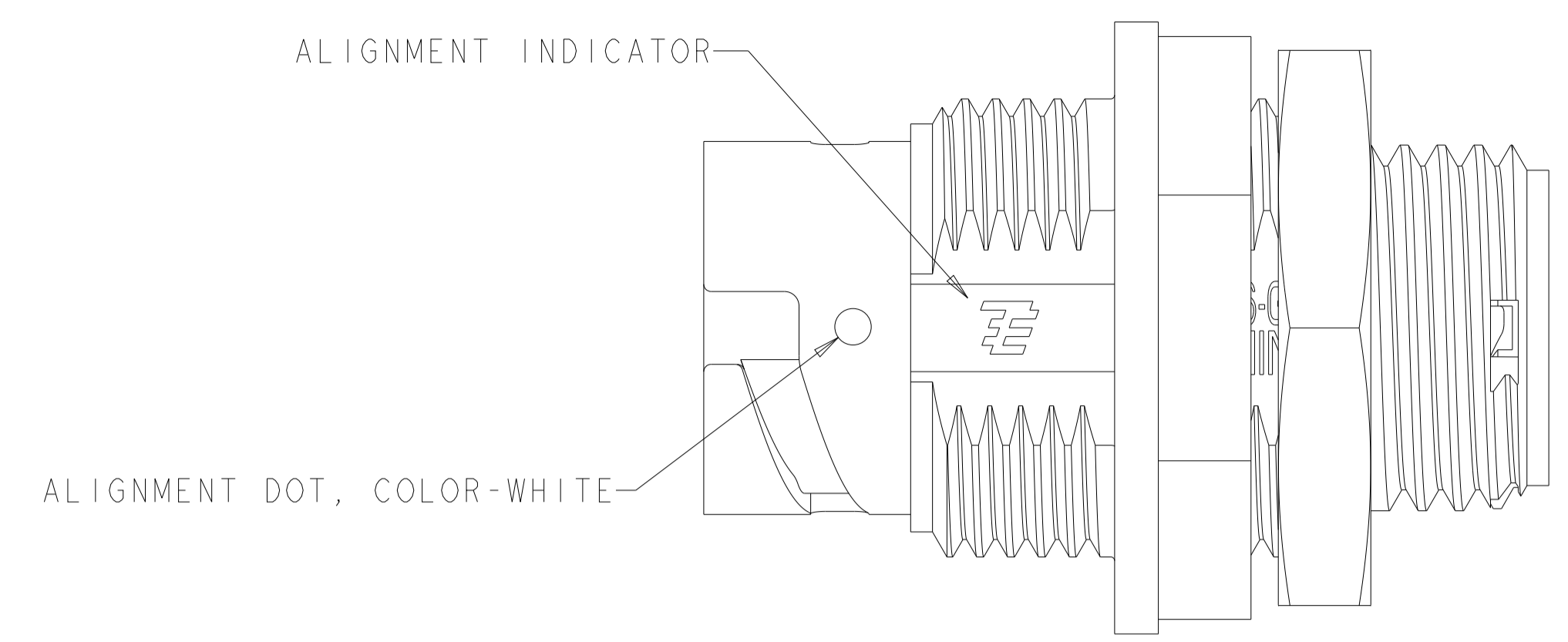


REVISIONS				
P	LTN	DESCRIPTION	DATE	APVD
D		REVISED PER ECN-22-136865	01FEB2022	RK MZ



SUGGESTED PANEL CUTOUT

1. CONNECTOR CAN BE FRONT OR REAR PANEL MOUNTED.  
 △ MAX PANEL THICKNESS - 3.18

OBSOLETE	YELLOW	Ø0.75	130°	1445539-04
	NATURAL	Ø1.5	115°	1445539-03
OBSOLETE	NATURAL	Ø1.5	130°	1445539-02
	YELLOW	Ø0.75	115°	1445539-01
	SEAL, WIRE ENTRY COLOR	ØX REF	K REF	PART NUMBER

THIS DRAWING IS A CONTROLLED DOCUMENT.

OWN: S. WUEST	08MAY2001	TE Connectivity
CHK: G. DOUTY	08MAY2001	
APVD: H. WAKEEM	13JUN2003	NAME: ASSEMBLY, RECEPTACLE, SIZE 8, 1 POSITION, PANEL MOUNT, MINI CPC
DIMENSIONS: mm	TOLERANCES UNLESS OTHERWISE SPECIFIED:	SIZE: A100779
0 PLC ±0.5	1 PLC ±0.13	SCALE: 5:1
2 PLC ±0.13	3 PLC ±0.013	SHEET 1 OF 1
4 PLC ±0.001	ANGLES ±0.0001	REV D
MATERIAL: SEE CALLOUT	FINISH: -	CUSTOMER DRAWING