

4

3

2

1

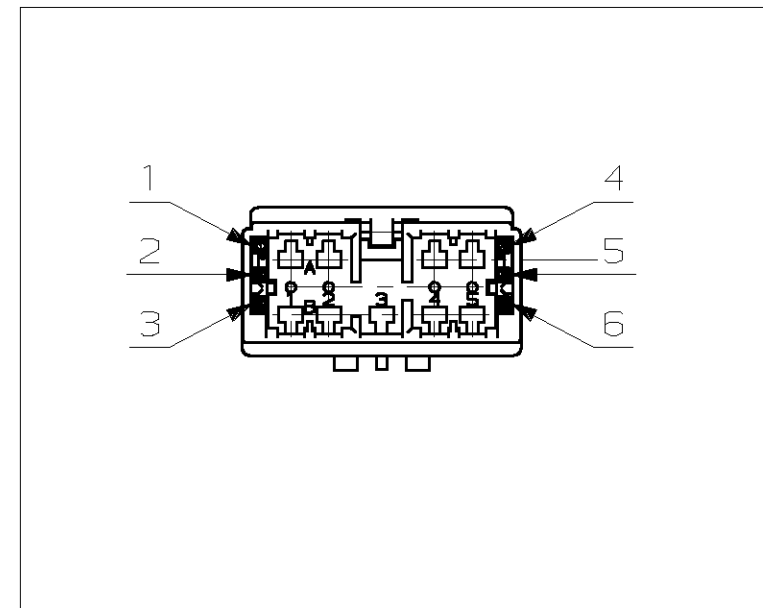
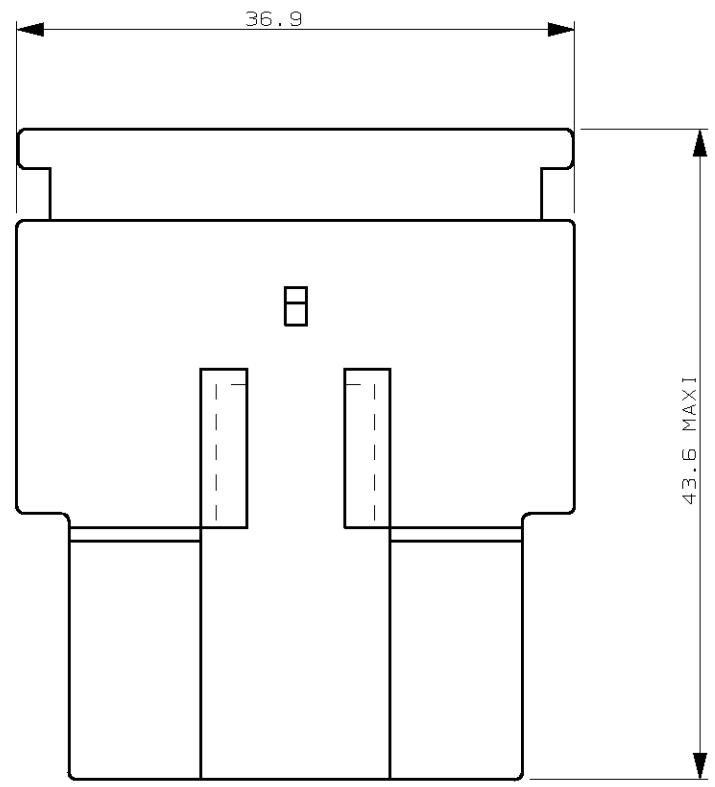
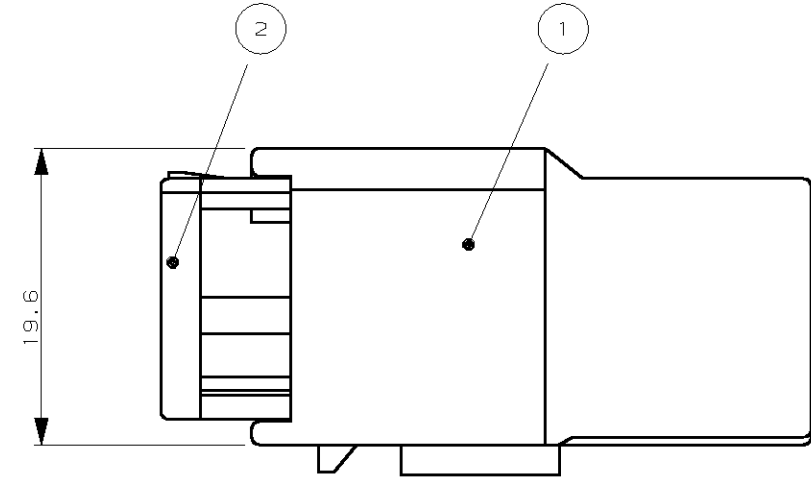
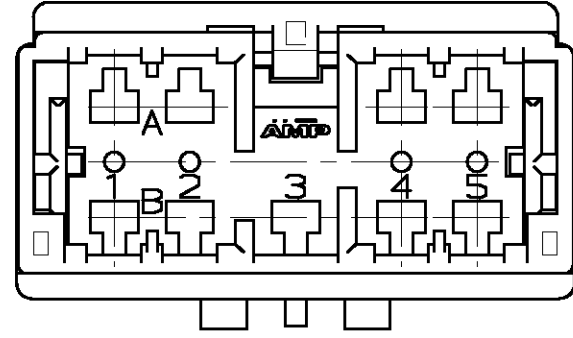
THIS DRAWING IS UNPUBLISHED.
DIFFUSION RESEINTE AMP
© COPYRIGHT 19

RELEASED FOR PUBLICATION
, 19
BY AMP INCORPORATED. ALL RIGHTS RESERVED.
TOUS DROITS RESERVES

LOC F
DIST 7

REVISIONS

P	LTR REV	DESCRIPTION MODIFICATIONS	DATE	DWN DESS.	APVD APP.
	E	SANS CHANGEMENT	29-AVR-04	PD	JJR



144534-9	YELLOW (JAUNE)	1-6
144534-8	ORANGE	2-6
144534-7	BLUE (BLEU)	3-6
144534-6	GREEN (VERT)	3-4
144534-5	RED (ROUGE)	3-5
144534-4	GREY (GRIS)	2-4
144534-3	BROWN (MARRON)	1-5
144534-2	BLACK (NOIR)	2-5
144534-1	WHITE (BLANC)	1-4
REFERENCE	COLOR (COULEUR)	KEYING (DETROMPAGE)

SECONDARY LOCKING	②
HOUSING	①
DESCRIPTION	ITEM

THIS DRAWING IS A CONTROLLED DOCUMENT.
CE PLAN EST UN DOCUMENT CONTROLE.

DIMENSIONS: mm

TOLERANCES UNLESS OTHERWISE SPECIFIED.
TOLERANCES NON SPECIFIEES (SUIV NB DE DECIMALES):

- 0 PLC/DEC ±
- 1 PLC/DEC ±0.3
- 2 PLC/DEC ±
- 3 PLC/DEC ±
- 4 PLC/DEC ±
- ANGLES ±-

MATERIAL MATIERE PA66 20%GF FINISH FINITION -

DWN/DESSINE 17-MAR-98 Jacques LALANGE
CHK/VERIFIE 19-MAR-98 J.LALANGE
APVD/APPROUVE 19-MAR-98 J.J.REVIL

PRODUCT SPEC SPEC. PRODUIT -
APPLICATION SPEC SPEC. APPLICATION -

WEIGHT MASSE APPROX. -

AMP AMP DE FRANCE 95301 PONTOISE

NAME TITRE TAB HOUSING MIC IV
WITH SECONDARY LOCKING - 9 POS.

SIZE FORMAT A3 CAGE CODE 00779 DRAWING NO TITRE C-144534 RESTRICTED TO -

CUSTOMER DRAWING/PLAN CLIENT UNIQUEMENT POUR REFERENCE SCALE ECHELLE 2:1 SHEET FEUILLE 1 OF 1 REV E