

4

3

2

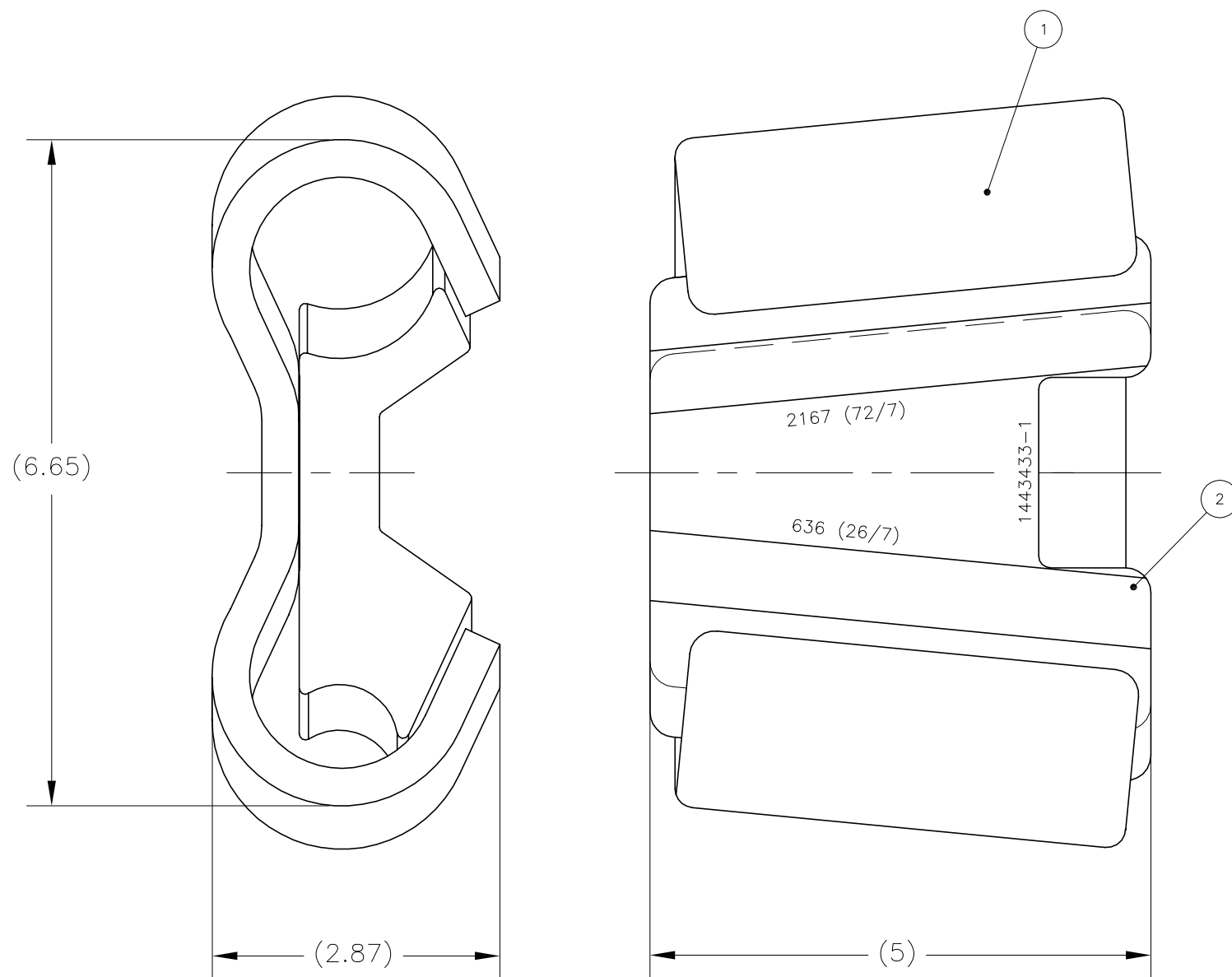
1

© - TE Connectivity. All Rights Reserved.

REVISIONS

P	LTR	DESCRIPTION	DATE	DWN	APVD
	A	INITIAL REL PER LC20-0052-21	13MAY2021	RS	JO

1. DIMENSIONS ARE FOR REFERENCE ONLY.
2. INHIBITOR IS APPLIED AT FACTORY TO GROOVES OF 'C' BODY AND WEDGE.
3. WIRE SIZES ARE MARKED ON WEDGE
4. USE YELLOW SHELL PART NO. 69338-4.



1443433-1
PART NO.

QTY	DESCRIPTION	ITEM NO
1	WEDGE, ALUM ALLOY	2
1	C BODY, ALUM ALLOY	1
PARTS LIST		

THIS DRAWING IS A CONTROLLED DOCUMENT.		DWN RAVI.S 13MAY2021		
		CHK J.GUPPY 13MAY2021		
		APVD J.OPEL 13MAY2021		
DIMENSIONS: INCHES 		TOLERANCES UNLESS OTHERWISE SPECIFIED: 0 PLC ± 1 PLC ± 2 PLC ± 3 PLC ± 4 PLC ± ANGLES ±		NAME AMPACT TAP, EXTRA LARGE, 2167 ACSR TO 636 ACSR
MATERIAL		FINISH		SIZE A3
				CAGE CODE 00779
				DRAWING NO C=1443433
				RESTRICTED TO -
CUSTOMER DRAWING			SCALE NTS	SHEET 1 OF 1
			REV A	