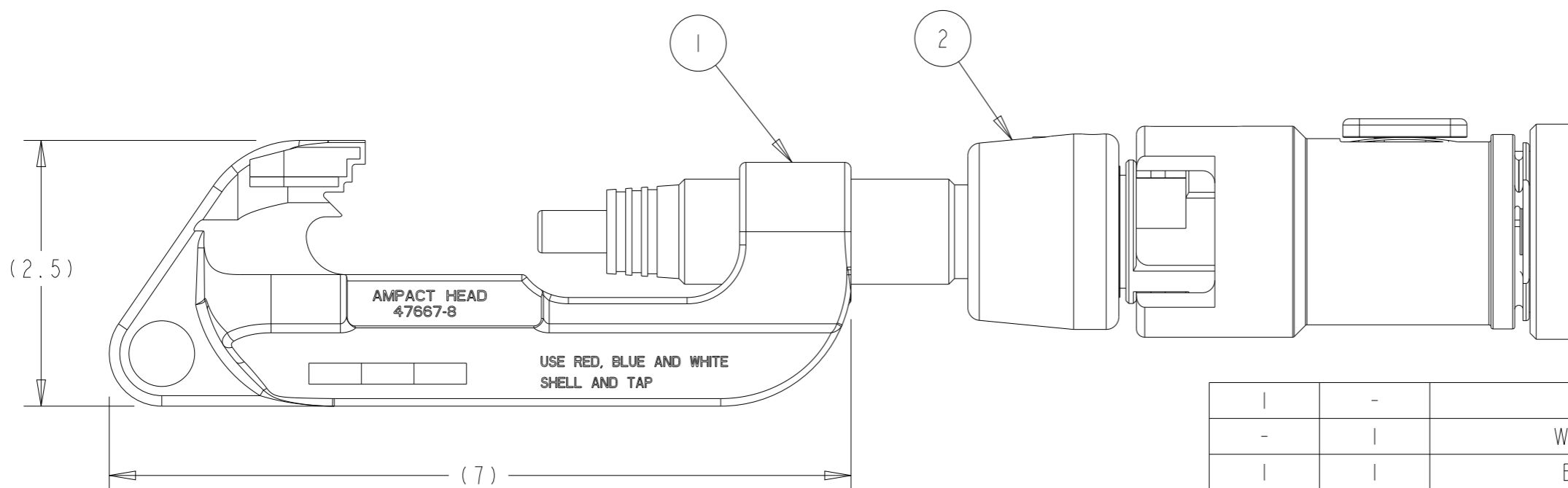
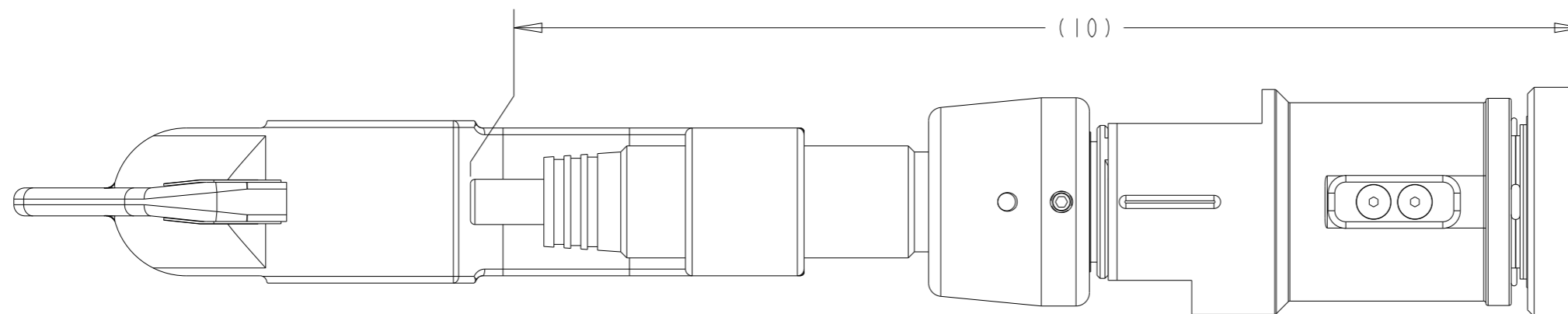


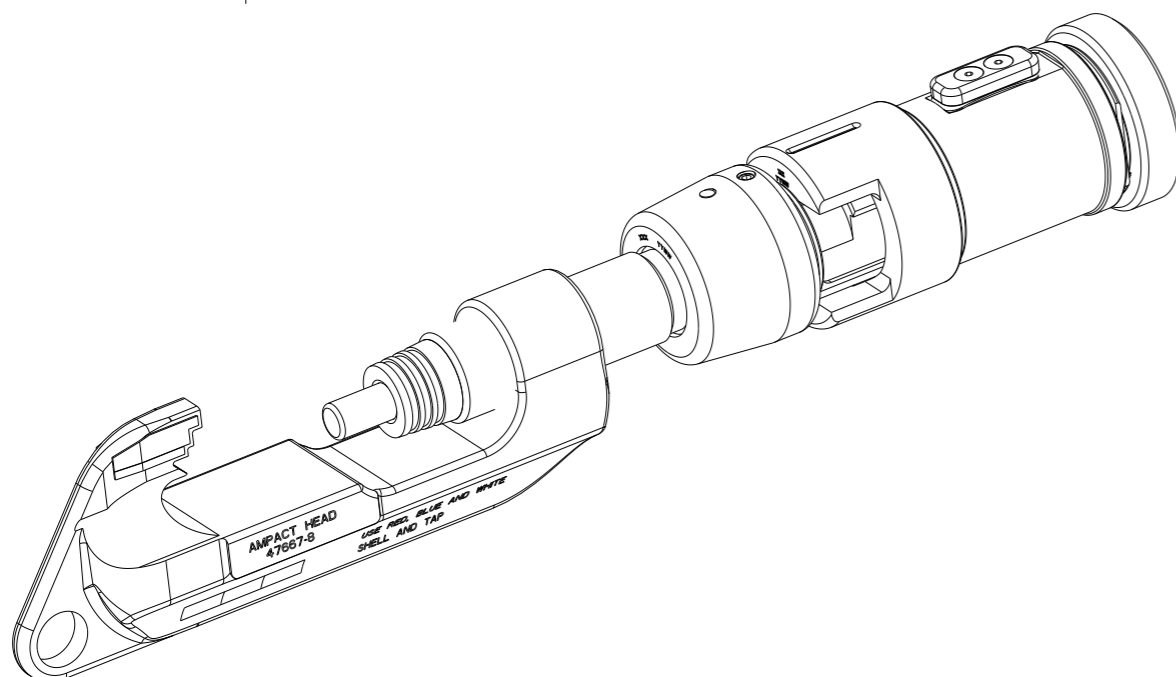
REVISIONS

P	LTR	DESCRIPTION	DATE	DWN	APVD
B		LC20-0106-21 / ECN-21-122169	14OCT2021	DM	BJ
B1		ECN-23-233907	12OCT2023	JK	GP



1443413-2
1443413-1
PART NO.

QTY	DESCRIPTION	ITEM NO
1	RED TAKE OFF CLIP	7
-	WHITE TAKE OFF CLIP	6
1	BLUE TAKE OFF CLIP	5
1	AMPACT CLEANING TOOL	4
1	PLATFORM	3
1	EZ LOAD POWER UNIT	2
1	SMALL TOOL HEAD	1
-2	DESCRIPTION	



THIS DRAWING IS A CONTROLLED DOCUMENT.

DIMENSIONS: INCH	TOLERANCES UNLESS OTHERWISE SPECIFIED: 0 PLC ± 1 PLC ± 2 PLC ± 3 PLC ± 4 PLC ± ANGLES ±
MATERIAL	FINISH

09 JUN 2004
D. ROBITAILLE
10 AUG 2004
D. LADIN
10 AUG 2004
B. JOHNSON

TE TE Connectivity

NAME
EZ LOAD POWER UNIT WITH SMALL TOOL HEAD, AMPACT

PRODUCT SPEC -
APPLICATION SPEC -
WEIGHT -

SIZE A3 CAGE CODE 00779 DRAWING NO C-1443413 RESTRICTED TO -

CUSTOMER DRAWING SCALE NTS SHEET 1 OF 1 REV B1