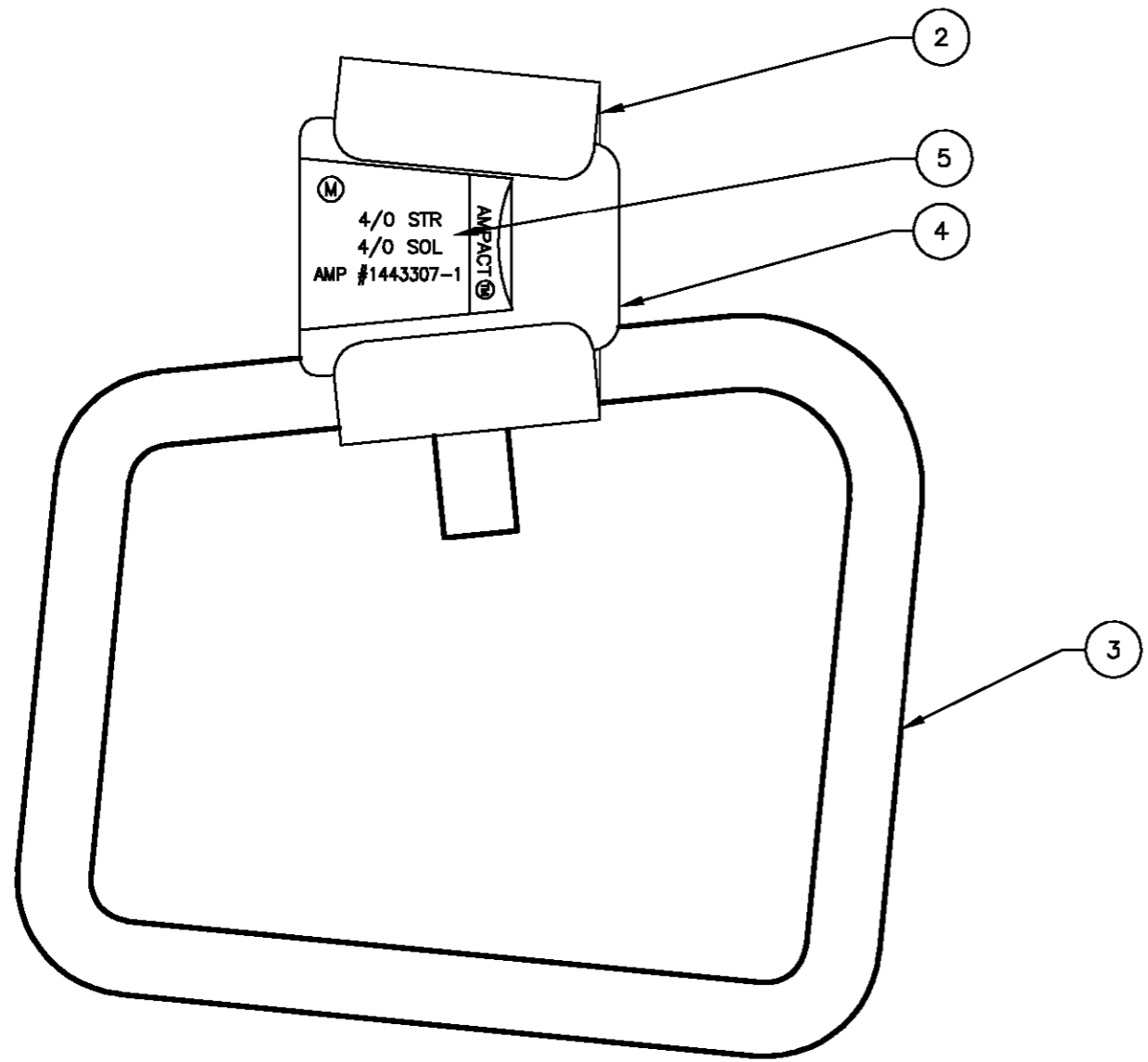
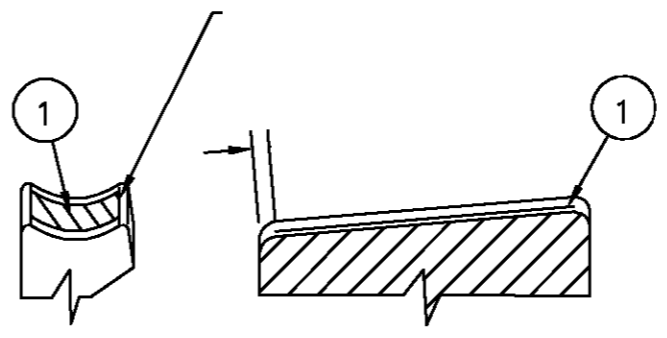
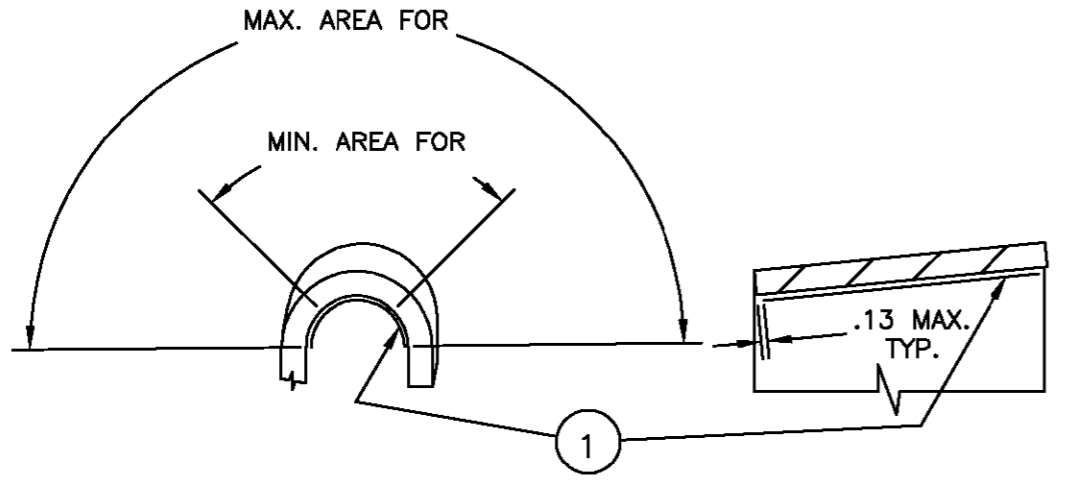


USED ON

DWG NO 1443307

THIS DRAWING IS A CONTROLLED DOCUMENT.



1	80676-4	POLY BAG 6x8 BLUE	6
1	602029-6	LABEL	5
1	600445	WEDGE	4
1	602103-1	BAIL, 4/0	3
1	600452-5	C BODY	2
A/R	80665-1	INHIBITOR	1
-1	PART NO	DESCRIPTION	ITEM NO

QTY REQD PER ASSY		PARTS LIST	
-------------------	--	------------	--

DWN	21 FEB 03	MATERIAL	HEAT TREAT
CHK	11 MAR 03		
APVD	11 MAR 30		

DIMENSIONS: INCHES	TOLERANCES UNLESS OTHERWISE SPECIFIED:
 0 1 2 3 4	
ANGLES ± 0° 30'	
SURFACE TEXTURE	

	O	INITIAL RELEASE LC20-0057-03	21 FEB 03	CD	BJ
P	LTR	REVISION RECORD	DATE	DWN	APVD

NAME		STIRRUP ASSEMBLY, BLUE CODED, 4/0 WITH 4/0 BAIL, AMPACT	
SCALE	SIZE	DRAWING NO	SHEET
1:1	A3	1443307	1 OF 1
			REV
			0

THIS INFORMATION IS CONFIDENTIAL AND PROPRIETARY TO TYCO ELECTRONICS CORPORATION AND ITS WORLDWIDE SUBSIDIARIES AND AFFILIATES. IT MAY NOT BE DISCLOSED TO ANYONE OTHER THAN TYCO ELECTRONICS PERSONNEL, WITHOUT WRITTEN AUTHORIZATION FROM TYCO ELECTRONICS CORPORATION, HARRISBURG, PENNSYLVANIA USA.

LOC
GA
DIST
5