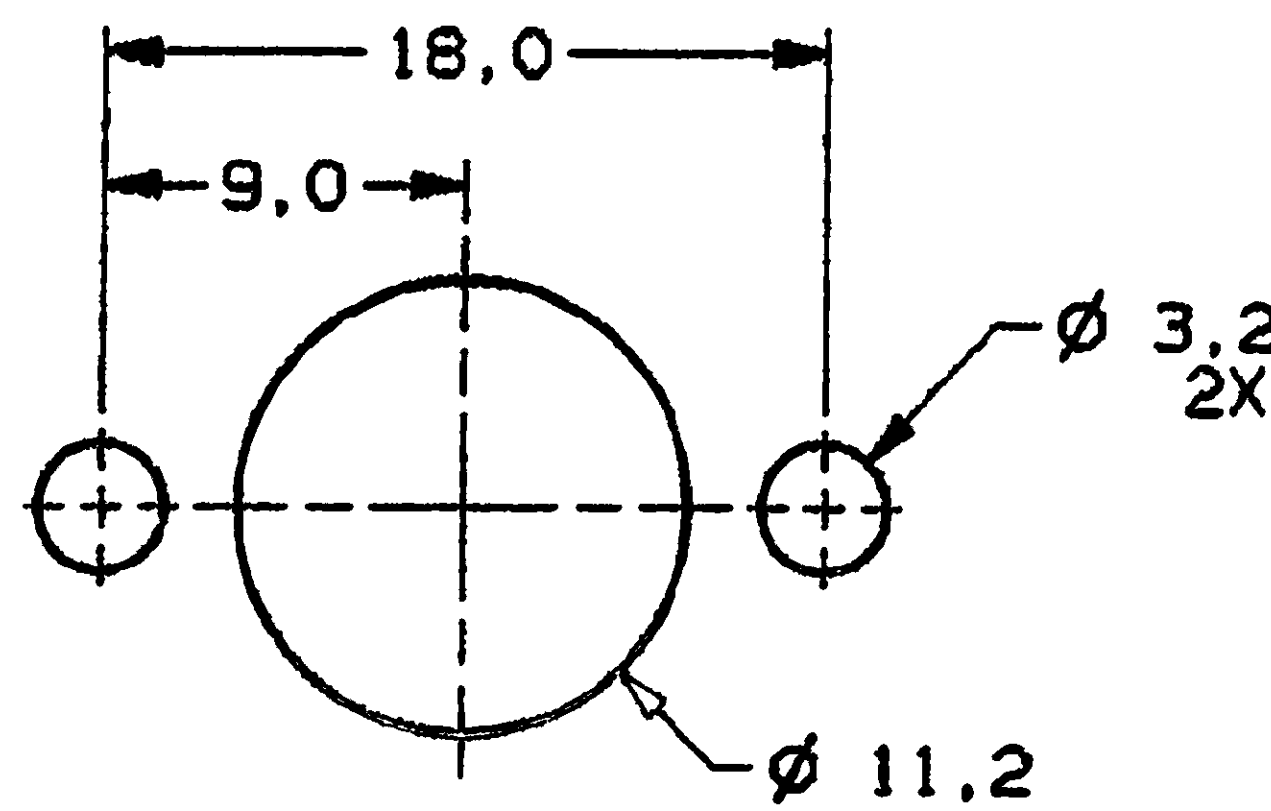
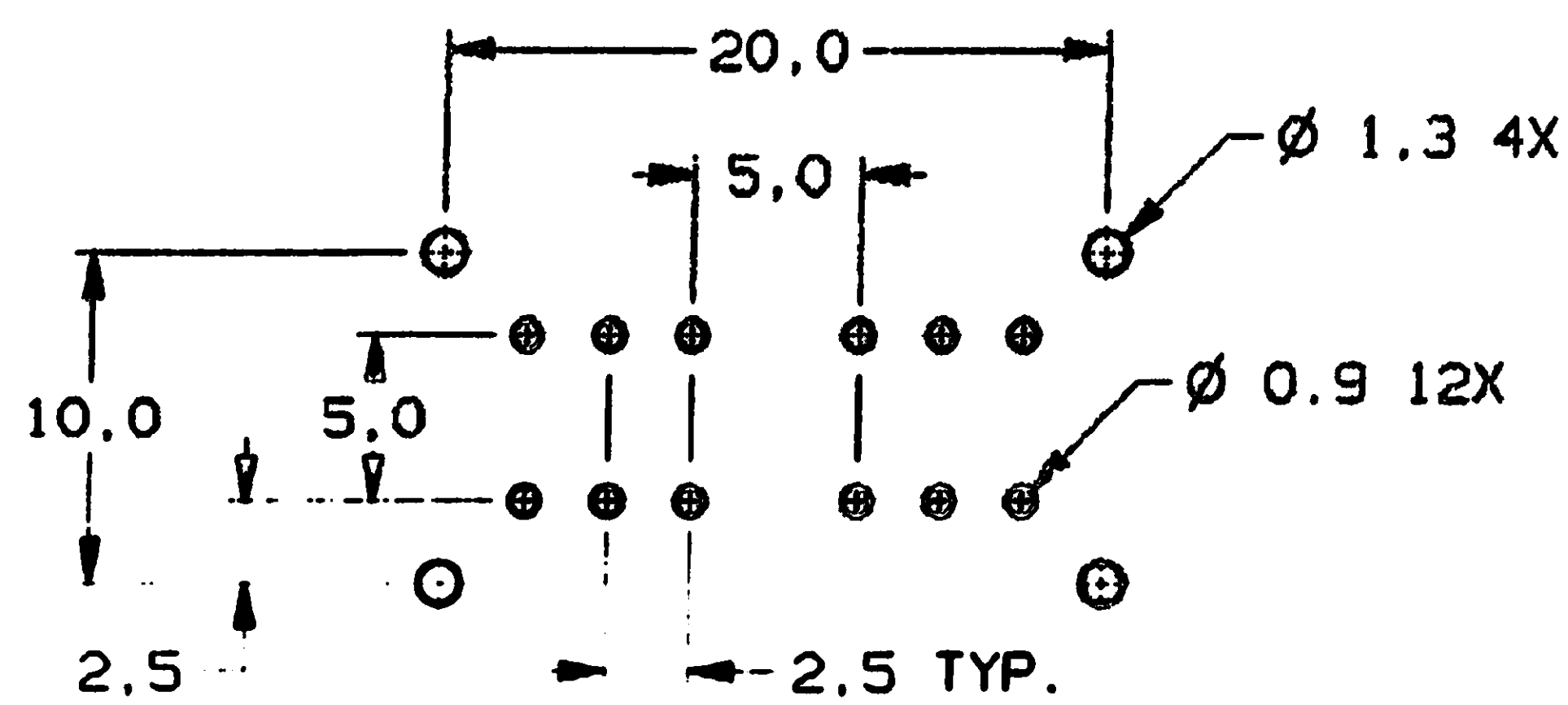
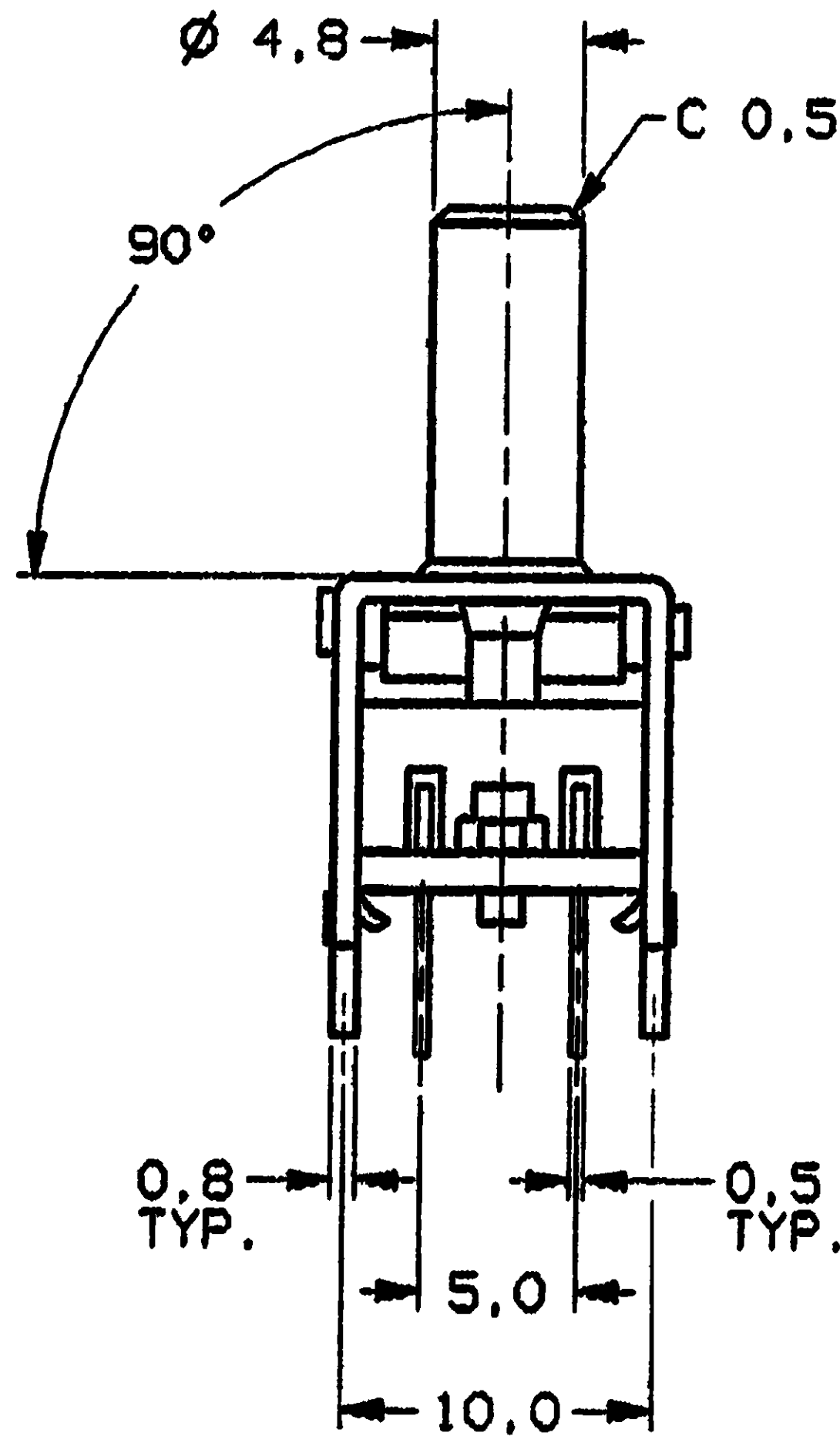
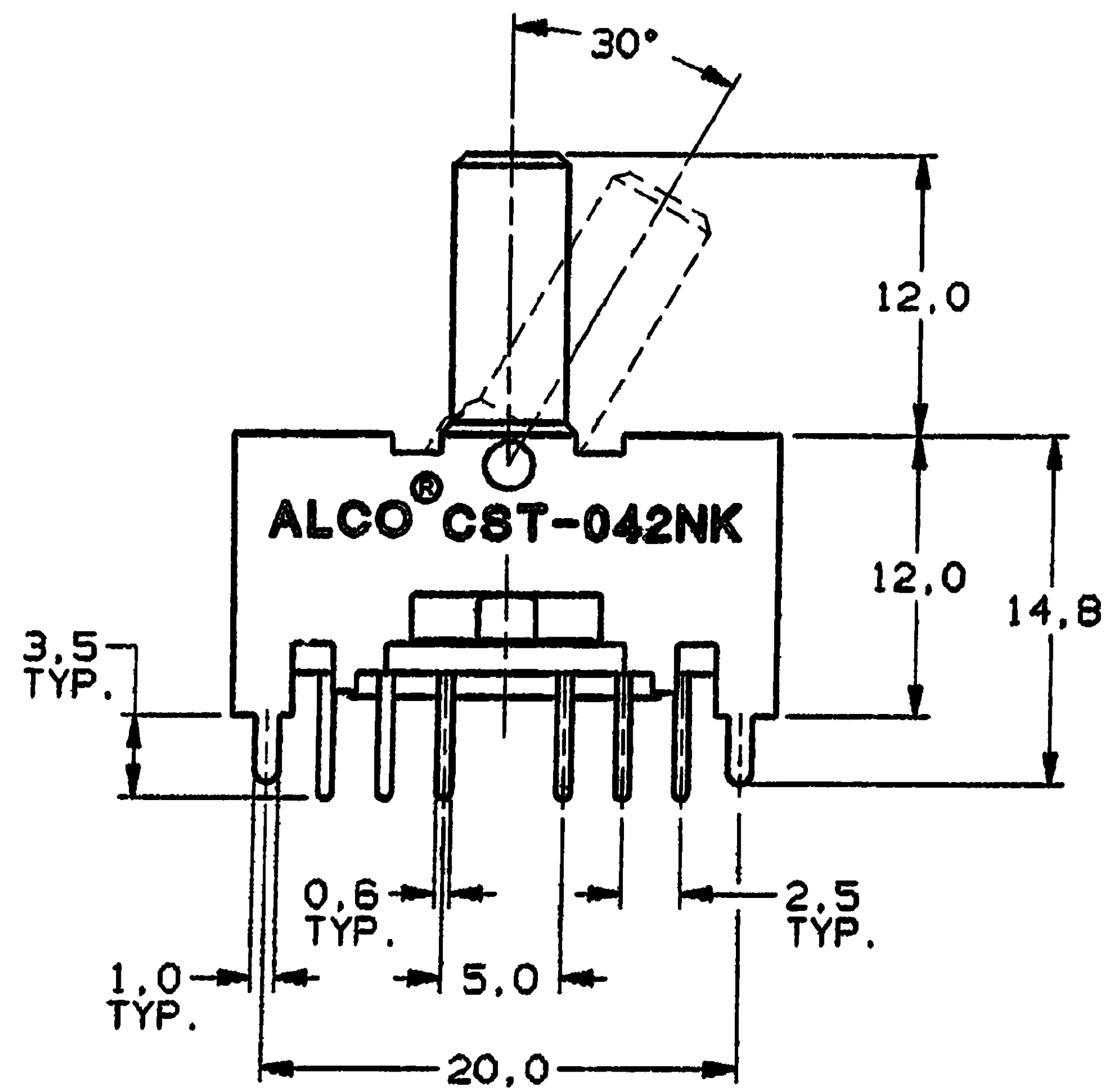
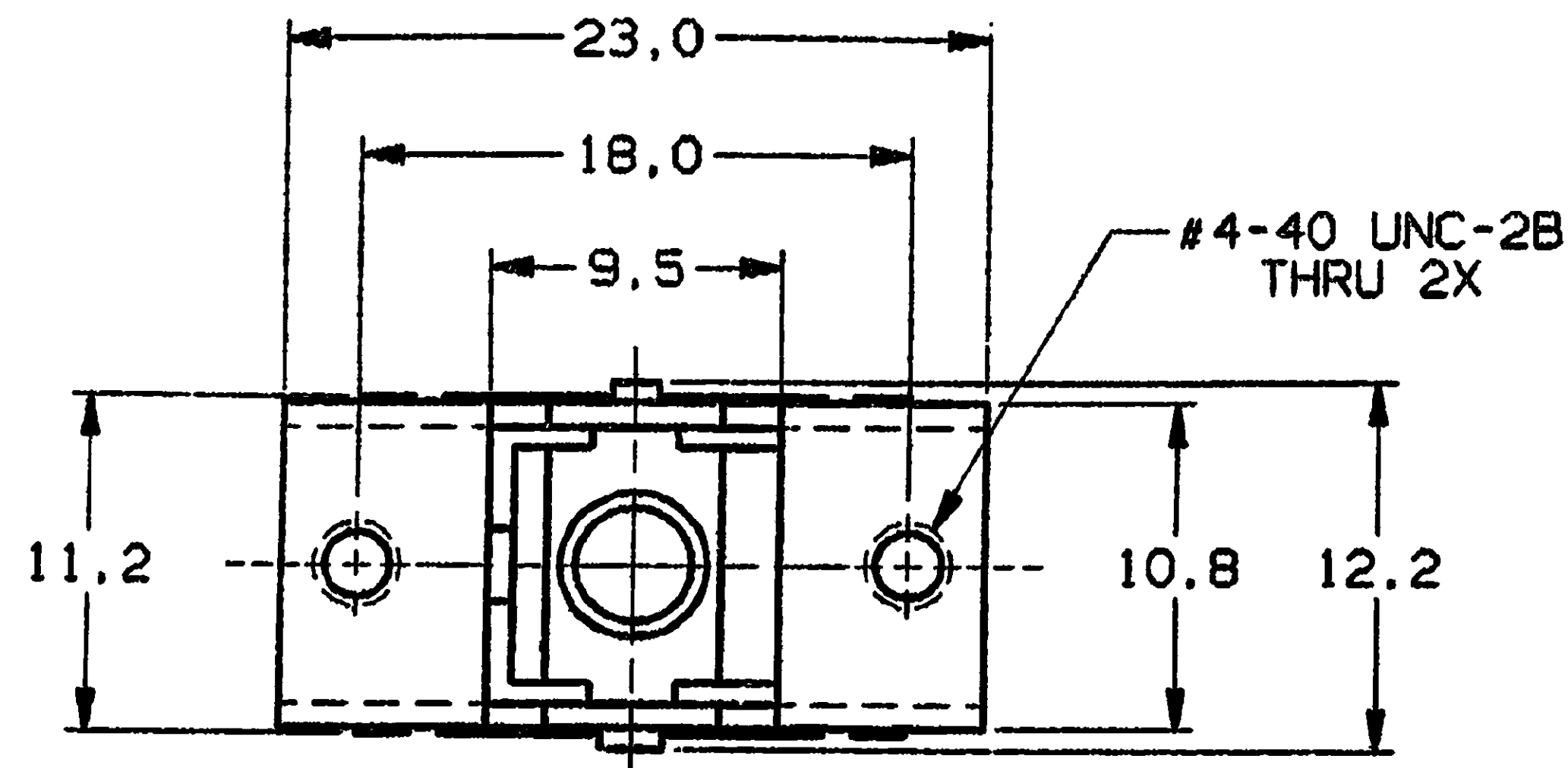


CONVERSION CHART	
MM	INCH
0.05	.002
0.12	.005
0.25	.010
0.5	.020
0.6	.024
0.8	.031
0.9	.035
1.0	.039
1.3	.051
2.5	.098
2.6	.104
3.2	.125
3.5	.138
4.8	.189
5.0	.197
9.0	.354
9.5	.374
10.0	.394
10.8	.425
11.2	.440
12.0	.472
12.2	.480
14.8	.582
18.0	.709
20.0	.787
23.0	.906



PC HOLE LAYOUT (TOP VIEW)
RECOMMENDED TOLERANCES ±0.05

SUGGESTED PANEL CUTOUT
RECOMMENDED TOLERANCES ±0.12

SPECIFICATIONS:

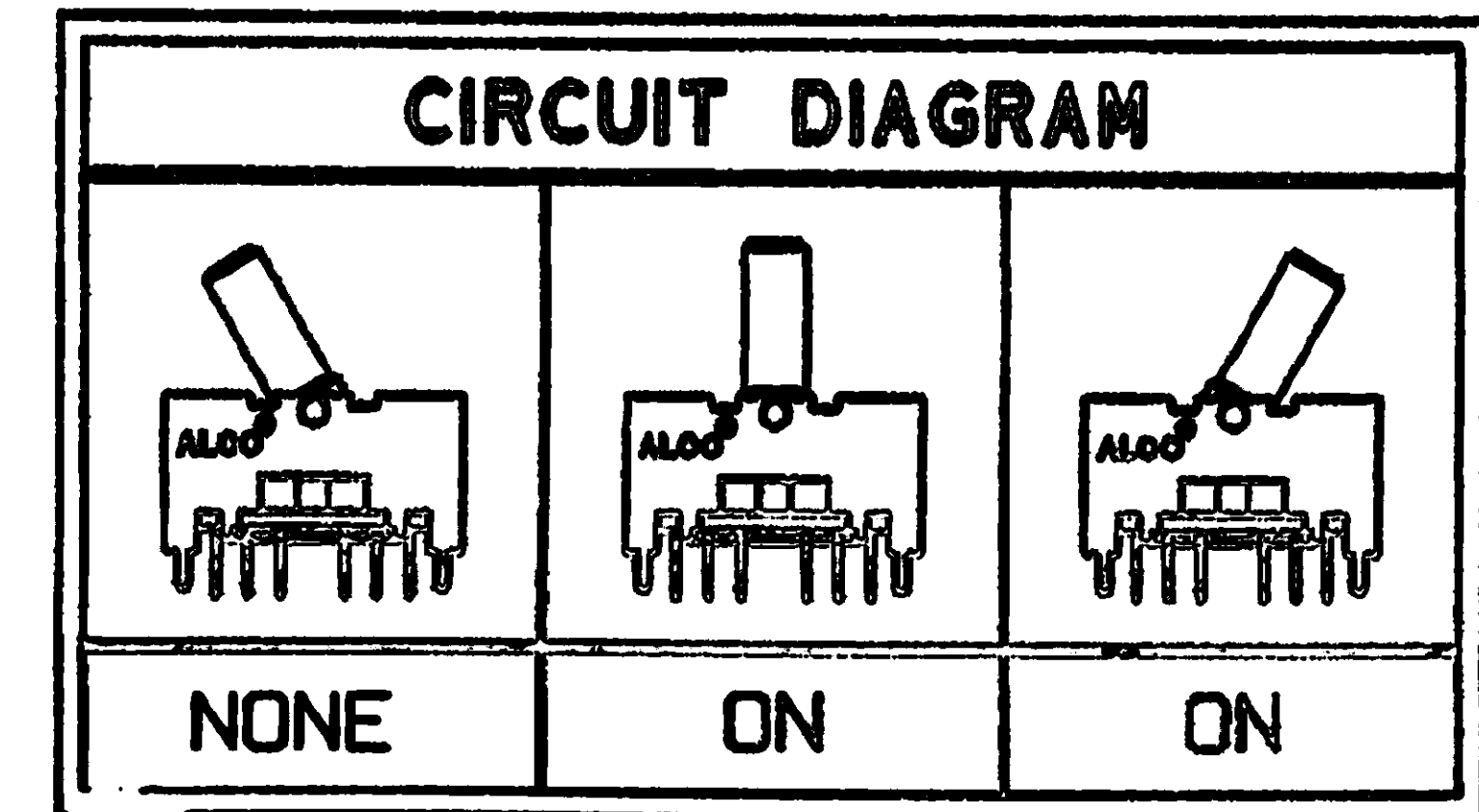
MATERIALS:
 FRAME: STEEL, TIN-PLATED.
 SLIDER: POLYCARBONATE.
 LEVER: POLYESTER.
 TERMINAL BOARD: PHENOLIC.
 FIXED CONTACT/TERMINAL: COPPER ALLOY, SILVER PLATE OVER NICKEL UNDERPLATE.
 MOVING CONTACT: COPPER ALLOY, SILVER CLAD OVER NICKEL FLASH.
 PRESSURE FINGER: POLYACETAL.
 PIN: STEEL.
 SPRING: STAINLESS STEEL.
 FIXING POSITION: POLYESTER.
 CAP: ALUMINUM.
 TERMINAL SEAL: EPOXY.

ELECTRICAL:
 CONTACT RATING: 0.3A @ 125 VAC (50-60 HZ),
 0.2A @ 12 VDC.
 INITIAL CONTACT RESISTANCE: 30 MILLIOHMS MAX.
 INSULATION RESISTANCE: 100 MEGOHMS MIN. @ 500 VDC.
 DIELECTRIC STRENGTH: 500 VAC FOR 1 MINUTE.
 LIFE EXPECTANCY: 10,000 CYCLES.
 CONTACT TIMING: NON-SHORTING.

MECHANICAL:
 ACTUATION FORCE: 450 ±250 GRAMS.
 ACTUATION TRAVEL: 30°

ENVIRONMENTAL:
 OPERATING TEMPERATURE: -15°C TO +55°C, (+5°F TO +131°F).
 STORAGE TEMPERATURE: -20°C TO +60°C, (-4°F TO +140°F).

NOTES: UNLESS OTHERWISE SPECIFIED
 1. INTERPRET DRAWING PER ANSI Y14.5M 1982.



REV	0
INITIAL RELEASE	1-20-97
ESRY A7995	1-21-97
C. THEODORE	1-21-97
APP'D: [Signature]	

OUTLINE DRAWING			
SPECIFICATIONS ARE SUBJECT TO CHANGES WITHOUT NOTICE			
 THIRD ANGLE PROJECTION	UNLESS OTHERWISE SPECIFIED DIMENSIONS ARE IN MILLIMETERS. DO NOT SCALE PRINT		ORIGINAL DATE OF DRAWING: 1-20-97
	TOLERANCES (EXCEPT AS NOTED)	FILE NAME: 80961OUT	DIRECTORY: TOGSHCH
ANGULAR = ±1° DECIMAL = ±0.25	MATERIAL: SEE SPECIFICATIONS	DRAWN: C. THEODORE	DATE: 1-20-97
AUGAT CONFIDENTIAL This document contains information which is the exclusive property of Augat Inc. Distribution, reproduction or use by others is not permitted without the expressed written consent of Augat Inc.	FINISH: SEE SPECIFICATIONS	APPROVED: [Signature]	DATE: 1-21-97
		CODE IDENT. NO. 91506	DWG. SIZE C
		NEXT ASSY:	

THIS IS A C.A.D. GENERATED DRAWING. DO NOT MAKE MANUAL REVISIONS TO PAPER.	
 432 JOHN DIETSCH BLVD. ATTEBORO FALLS, MASS. 02763	
TITLE: OUTLINE DRAWING	
TOGGLE SWITCH, CST042NK	
4PDT, PC TERMINALS	
DWG. NO. 80961	REV. 0
PRODUCT CODE:	SCALE: SHEET 1 OF 1