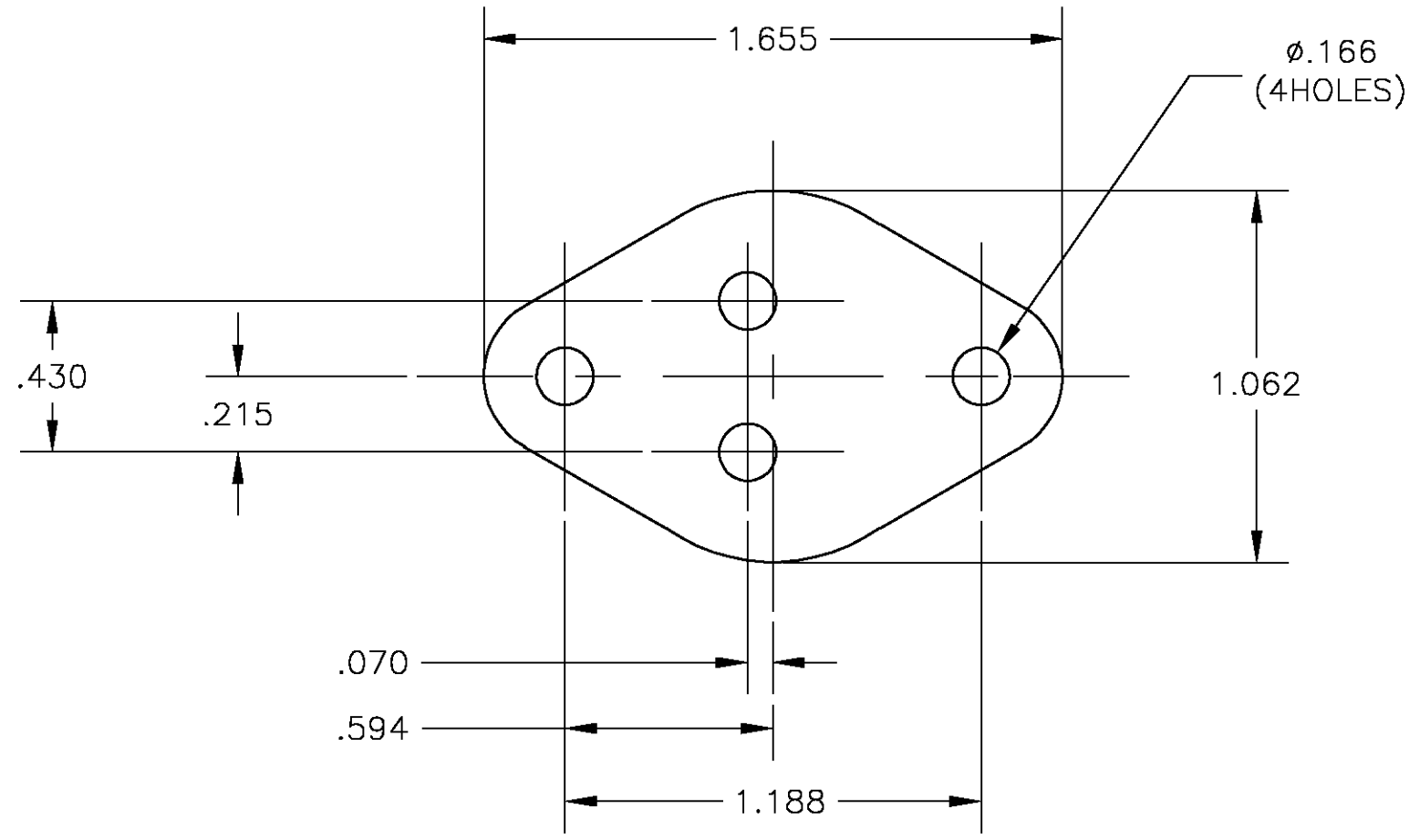


THIS DRAWING IS UNPUBLISHED. RELEASED FOR PUBLICATION  
 © COPYRIGHT - BY TYCO ELECTRONICS CORPORATION. ALL RIGHTS RESERVED.

LOC	DIST	REVISIONS			
P	LTR	DESCRIPTION	DATE	DWN	APVD
AD	00				
	0	EC 0G3C-0318-04	-	BSV	-



TYCO P/N 1437504-1 = AUGAT P/N 8038-3PI

THIS DRAWING IS A CONTROLLED DOCUMENT.		DWN	15JUL04		<b>tyco</b> <b>Electronics</b>	Tyco Electronics Corporation	
DIMENSIONS: INCHES		CHK	-			Harisburg, Pa 17105-3808	
TOLERANCES UNLESS OTHERWISE SPECIFIED:		APVD	-		NAME		
0 PLC ± -		PRODUCT SPEC		INSULATOR			
1 PLC ± -		APPLICATION SPEC		-			
2 PLC ± -		SIZE	CAGE CODE	DRAWING NO	RESTRICTED TO		
3 PLC ± .005		-		A3	00779	C-1437504-1	-
4 PLC ± -		WEIGHT		-			
ANGLES ± 1'		CUSTOMER DRAWING		SCALE	SHEET	OF	REV
MATERIAL		FINISH		2:1	1	1	0
NATURAL MICA		NONE					