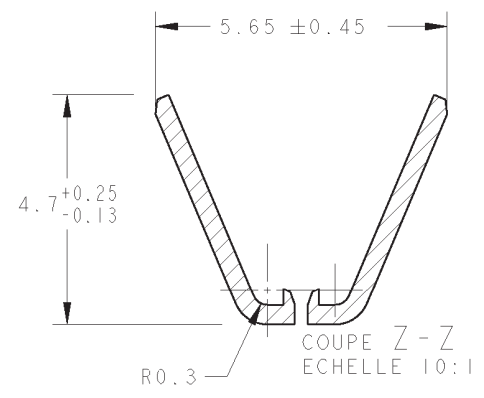
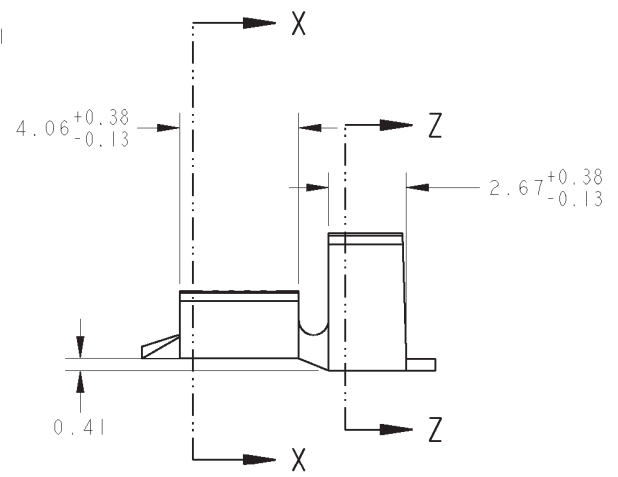


THIS DRAWING IS UNPUBLISHED. RELEASED FOR PUBLICATION
 DIFFUSION RESTREINTE AMP LIBRE A LA DIFFUSION
 © COPYRIGHT 20 BY TYCO ELECTRONICS CORPORATION. ALL RIGHTS RESERVED. TOUS DROITS RESERVES

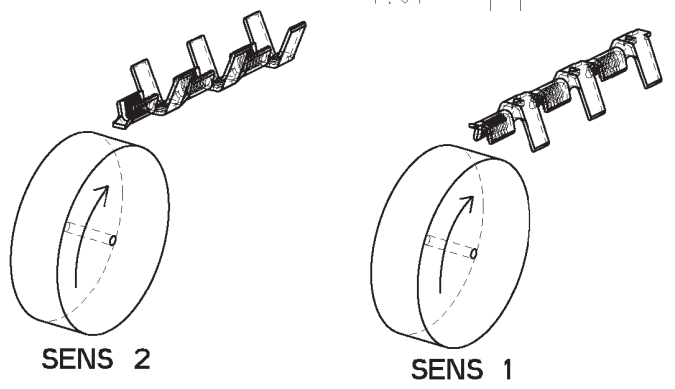
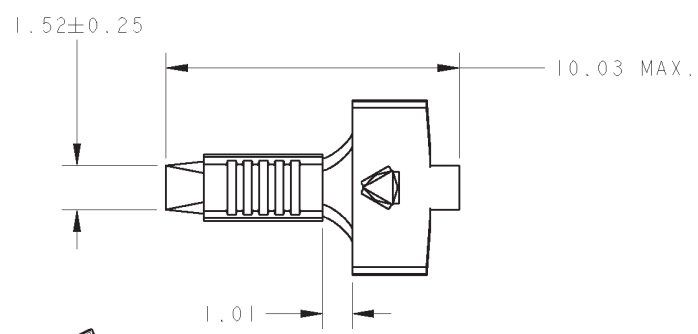
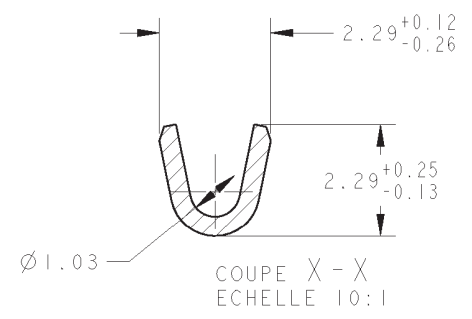
LOC	DIST	REVISIONS			
P	LTR	DESCRIPTION	DATE	DWN	APVD
REV	REV	MODIFICATIONS	DESS.	DESS.	APP.
	B	REDESSINE SOUS PRO/ENG, AJOUT I-141175-3	06MAR2001	CC	YP
	B1	REVISED PER ECR-19-015041	05NOV2019	PC	MB



ECHELLE 1:1



1. REELED WITH INTERLEAVE PAPER.



I-141175-3	SENS 1	LAITON	PRE-ETAME
I-141175-2	SENS 1	LAITON	ETAME
I-141175-1	SENS 1	LAITON	BRUT
141175-2	SENS 2	LAITON	ETAME
141175-1	SENS 2	LAITON	BRUT
TE P/N	BOBINAGE	MATIERE	TRAIT. SURF

THIS DRAWING IS A CONTROLLED DOCUMENT FOR TYCO ELECTRONICS CORPORATION IT IS SUBJECT TO CHANGE AND THE CONTROLLING ENGINEERING ORGANIZATION SHOULD BE CONTACTED FOR THE LATEST REVISION. CE PLAN EST UN DOCUMENT CONTROLE PAR AMP INCORPORATED IL EST SUSCEPTIBLE D'ETRE REVISE. CONTACTER LE SERVICE TECHNIQUE D'AMP DE FRANCE POUR OBTENIR LA DERNIERE REVISION		DWN/DESSINE 06MAR2001 C. COMBEDOUZON CHR/VERIFIE 06MAR2001 G. ROBERT APVD/APPROUVE 06MAR2001 Y. PETRONIN		TE Connectivity	
DIMENSIONS: mm		TOLERANCES UNLESS OTHERWISE SPECIFIED: TOLERANCES NON SPECIFIEES: (SUIVI NB DE DECIMALES): 0 PLC/DEC: ± 1 PLC/DEC: ±0.5 2 PLC/DEC: ±0.13 3 PLC/DEC: ±0.013 4 PLC/DEC: ±0.0001 ANGLES: ±		NAME/TITRE AMPLIVAR SPLICE WITH INSULATION RANGE	
MATERIAL / MATIERE		FINISH / FINITION		SIZE FORMAT A3	
APPLICATION SPEC SPEC. APPLICATION		WEIGHT MASSE APPROX. -		CAGE CODE DRAWING NO No PLAN 00779 C-141175	
CUSTOMER DRAWING /PLAN CLIENT		UNTOUQUEMENT POUR REFERENCE		SCALE ECHELLE 6 SHEET FEUILLE OF DE REV B1	