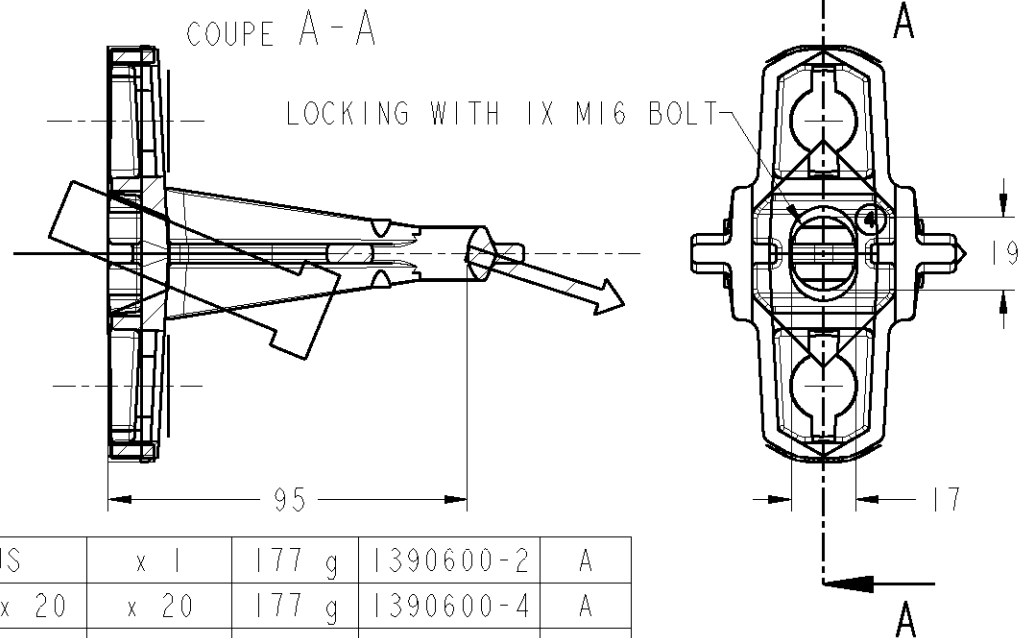
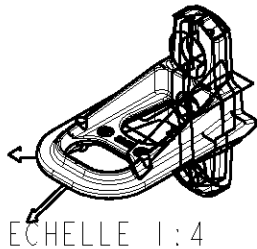
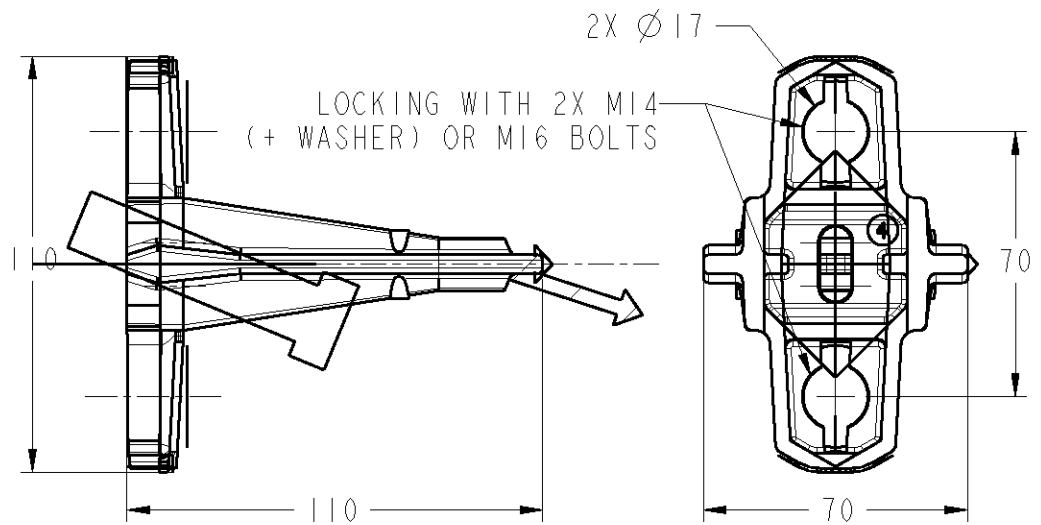
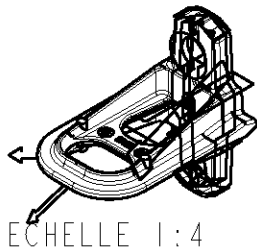


LOC	DIST	REVISIONS				
P	LTR REV	DESCRIPTION MODIFICATIONS	DATE	DWN DESS.	APVD APP.	
FH	00	A	CREATION	13NOV2008	LP GN	



CA1500 3 TROUS	x 1	177 g	1390600-2	A
CA1500 3 TROUS x 20	x 20	177 g	1390600-4	A
DESCRIPTION	PACKING	MASSE	PART NO	REV



CA1500 2 TROUS	x 1	180 g	1390600-1	A
CA1500 2 TROUS x 20	x 20	180 g	1390600-3	A
DESCRIPTION	PACKING	MASSE	PART NO	REV

TOLERANCES UNLESS OTHERWISE SPECIFIED: -  
 TOLERANCES NON SPECIFIEES: -

DIMENSIONS: mm  TOLERANCES UNLESS OTHERWISE SPECIFIED: TOLERANCES NON SPECIFIEES (SUIV. NB DE DECIMALES): 0 PLC/DEC: ±0 1 PLC/DEC: ±0.1 2 PLC/DEC: ±0.2 3 PLC/DEC: ±0.3 4 PLC/DEC: ±0.4 ANGLES ±	DWN/DESSINE L. PETRIGNET 13NOV2008 CHK/VERIFIE L. MAINIER APVD/APPROUVE G. NEDELLEC PRODUCT SPEC SPEC. PRODUIT APPLICATION SPEC SPEC. APPLICATION	MATERIAL MATIERE ALU ALLOY FINISH FINITION	Tyco Electronics SIMEL PRODUCTS  NAME TITRE CA1500
	WEIGHT MASSE APPROX. - g	SIZE FORMAT A4 CAGE CODE - DRAWING NO No PLAN C=1390600	
CUSTOMER DRAWING /PLAN CLIENT		UNIQUEMENT POUR REFERENCE	SCALE ECHELLE 1:2 SHEET FEUILLE 1 OF DE 1 REV A