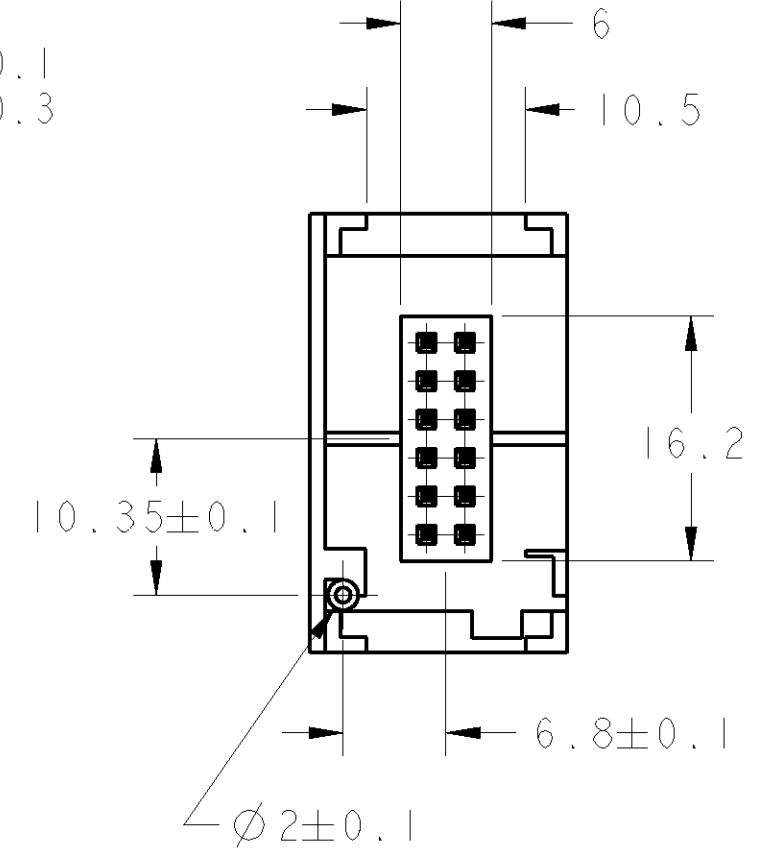
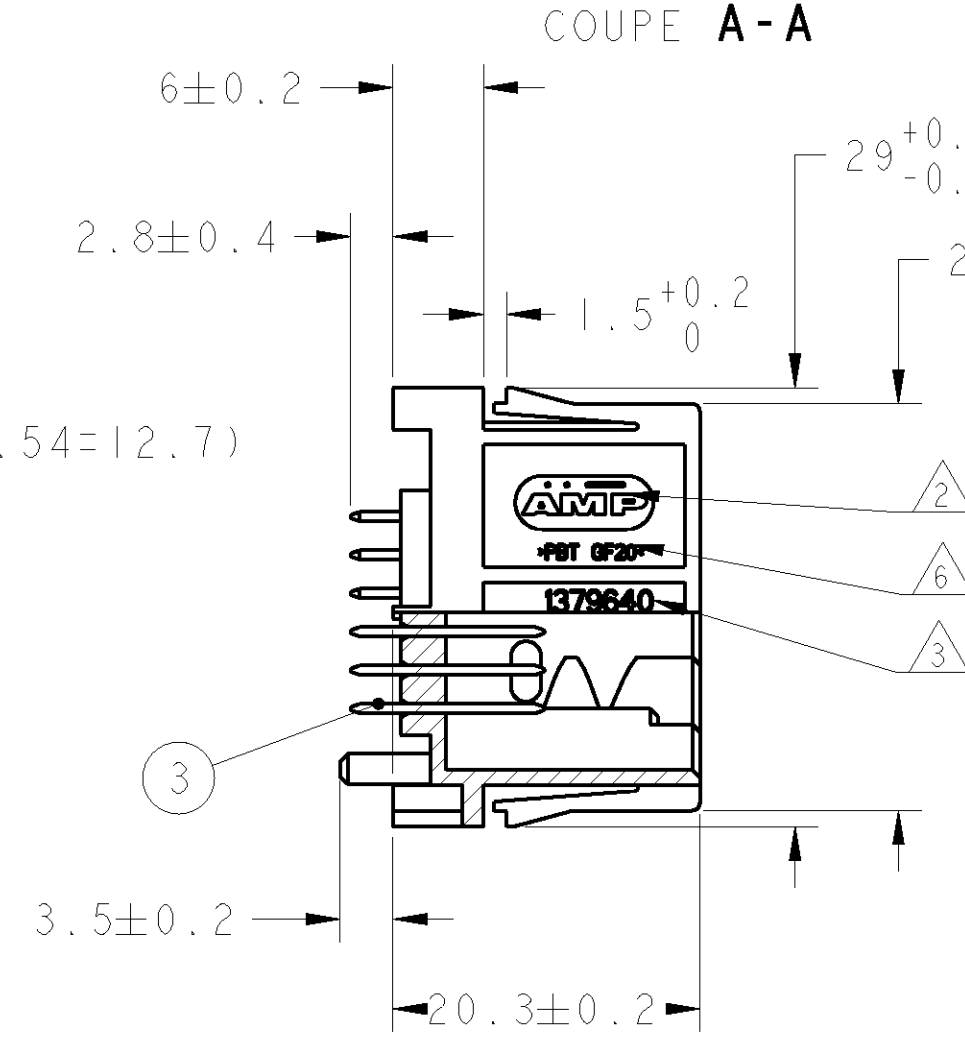
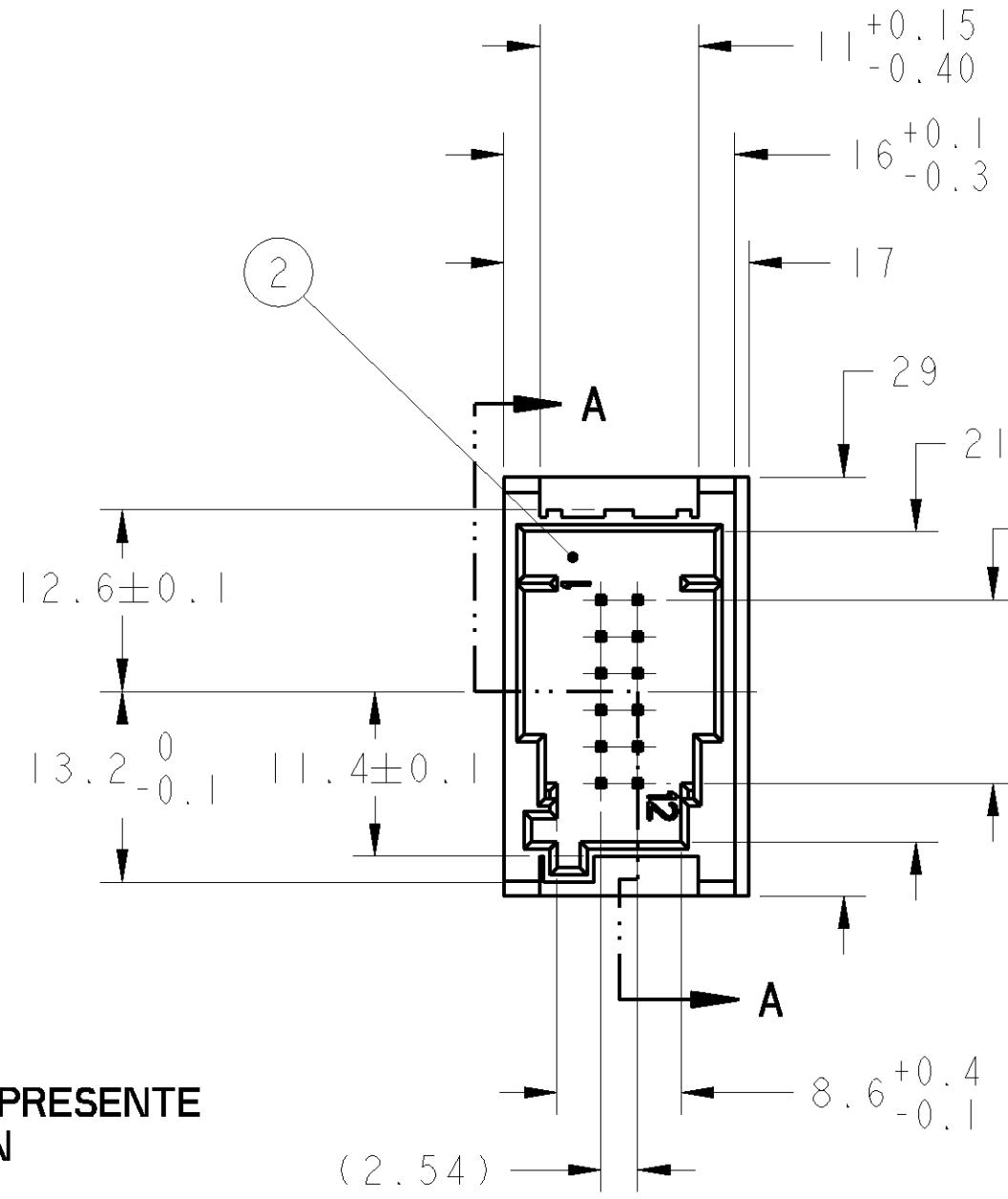
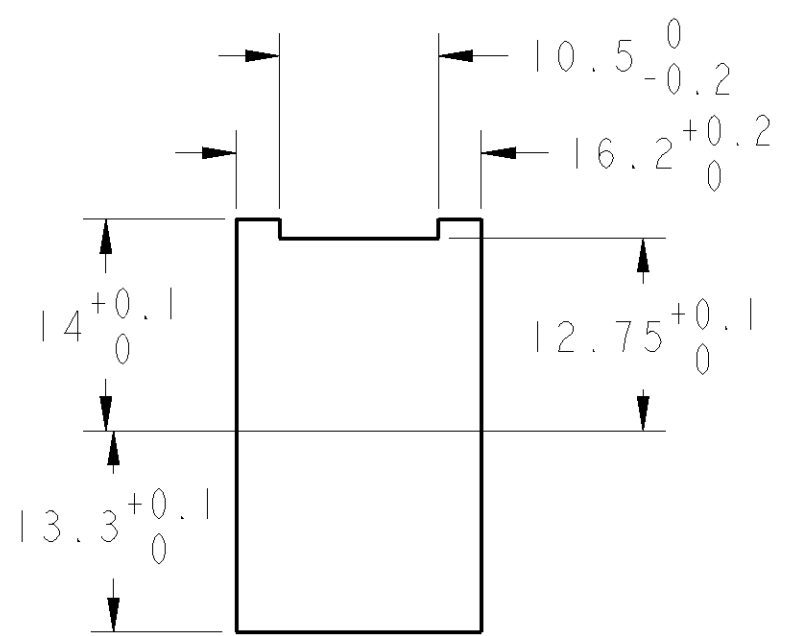


THIS DRAWING IS UNPUBLISHED. RELEASED FOR PUBLICATION
 © COPYRIGHT 20 BY TYCO ELECTRONICS CORPORATION. ALL RIGHTS RESERVED.

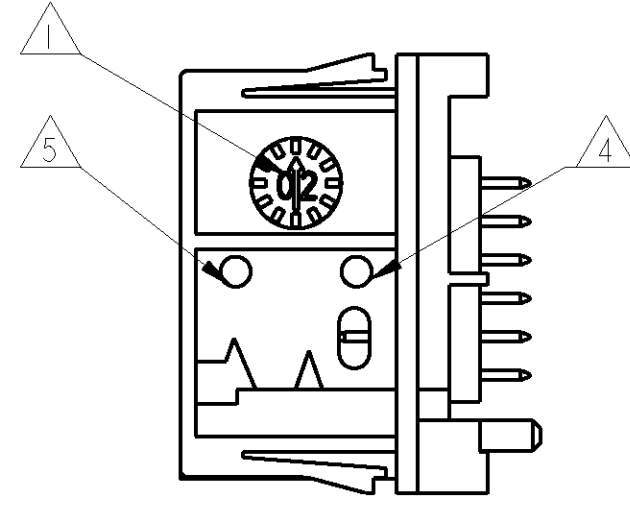
LOC	DIST	REVISIONS			
P	LTR	DESCRIPTION	DATE	DWN	APVD
F	00				

RECOMMANDATION DECOUPE PANNEAU
 RECOMMENDED PANEL CUTOUT

VUE DE DESSUS / VIEW FROM TOP



DETROMPAGE MARRON REPRESENTE
 BROWN CODING AS SHOWN
 1379640-3

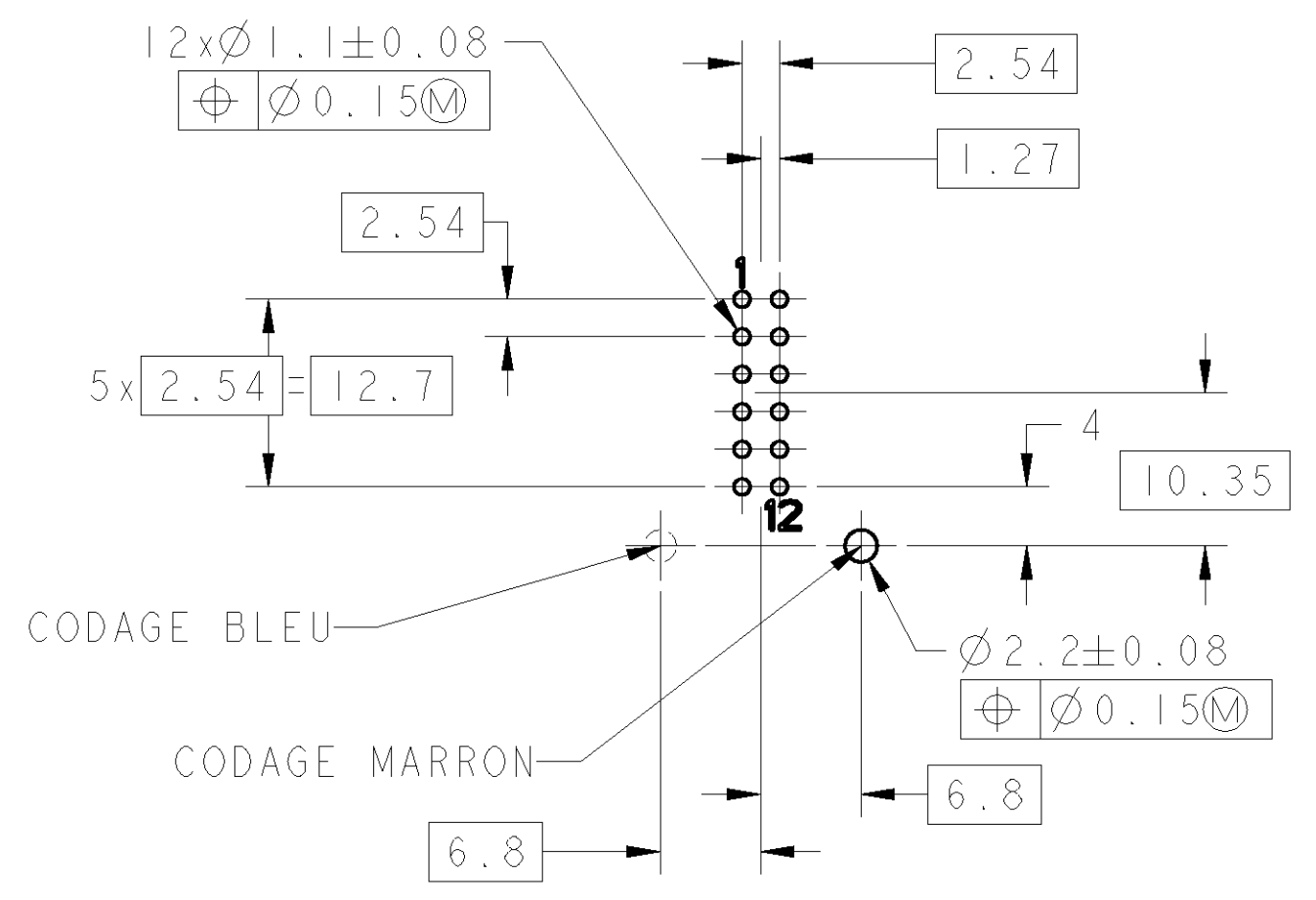


- NOTES:
- ① DATE CODE
 - ② LOGO AMP
 - ③ REFERENCE DU PRODUIT ASSEMBLE
 - ④ REVISION DU MOULE
 - ⑤ N° D'EMPREINTE DU MOULE
 - ⑥ MATIERE
- 7 CONTRE PARTIE:
 CONNECTEURS REF 185341 ET 185343

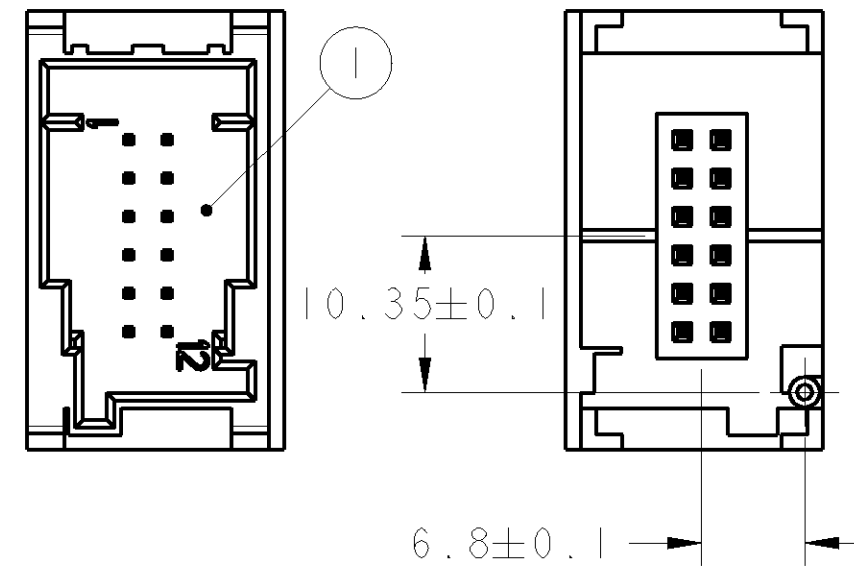
- NOTES:
- ① DATE CODE
 - ② AMP LOGO
 - ③ ASSY PART NUMBER
 - ④ REVISION STATUS
 - ⑤ CAVITY MARKING
 - ⑥ MATERIAL
- 7 MATING PART:
 CONNECTORS PN 185341 ET 185343

RECOMMANDATION IMPLANTATION CI
 RECOMMENDED PCB DETAILS
 EPAISSEUR PCB / THICKNESS PCB: 1.6±10%

VUE DE DESSUS / VIEW FROM TOP



DETROMPAGE BLEU REPRESENTE
 BLUE CODING AS SHOWN
 1379640-2



REF / ASSY PN	QTY	MATERIAL	DESIGNATION / NAME	COULEUR / COLOR	REP
1379640-2	12	CuSn6	CONTACTS MQS 0.63x0.63	POST ETAME / POST TIN	③
1379640-3	-	PBT GF20	BOITIER / HOUSING	MARRON / BROWN	②
	1	PBT GF20	BOITIER / HOUSING	BLEU / BLUE	①
			MATERIAL	DESIGNATION / NAME	COULEUR / COLOR

THIS DRAWING IS A CONTROLLED DOCUMENT FOR TYCO ELECTRONICS CORPORATION IT IS SUBJECT TO CHANGE AND THE CONTROLLING ENGINEERING ORGANIZATION SHOULD BE CONTACTED FOR THE LATEST REVISION		DWN: A. DUPUIS 21FEB2007 CHK: J. LALANGE 21FEB2007 APVD: J. REVIL 21FEB2007	tyco Electronics TYCO ELECTRONICS France SAS BP 39, 95301 CERGY-PONTOISE Cedex
DIMENSIONS: mm TOLERANCES UNLESS OTHERWISE SPECIFIED: ±0.3 ±0.25 ±0.2 ±0.15 ±0.1 ANGLES FINISH ±5°	NAME: EMBASE 12V MQS 12V MQS PIN HEADER		SIZE: A2 CAGE CODE: 00779 DRAWING NO: 1379640
MATERIAL: -	WEIGHT: -	CUSTOMER DRAWING	RESTRICTED TO: -
SCALE: 2:1		SHEET 1 OF 1 REV A	