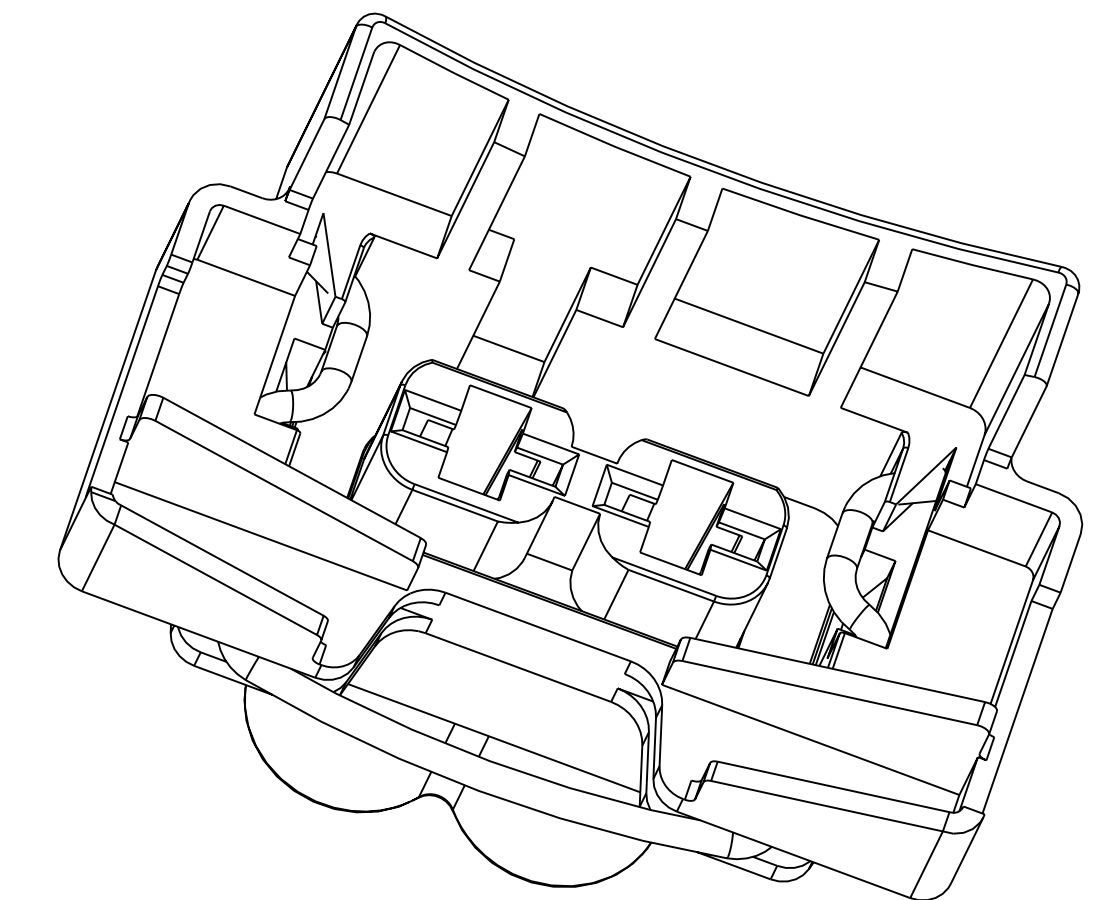
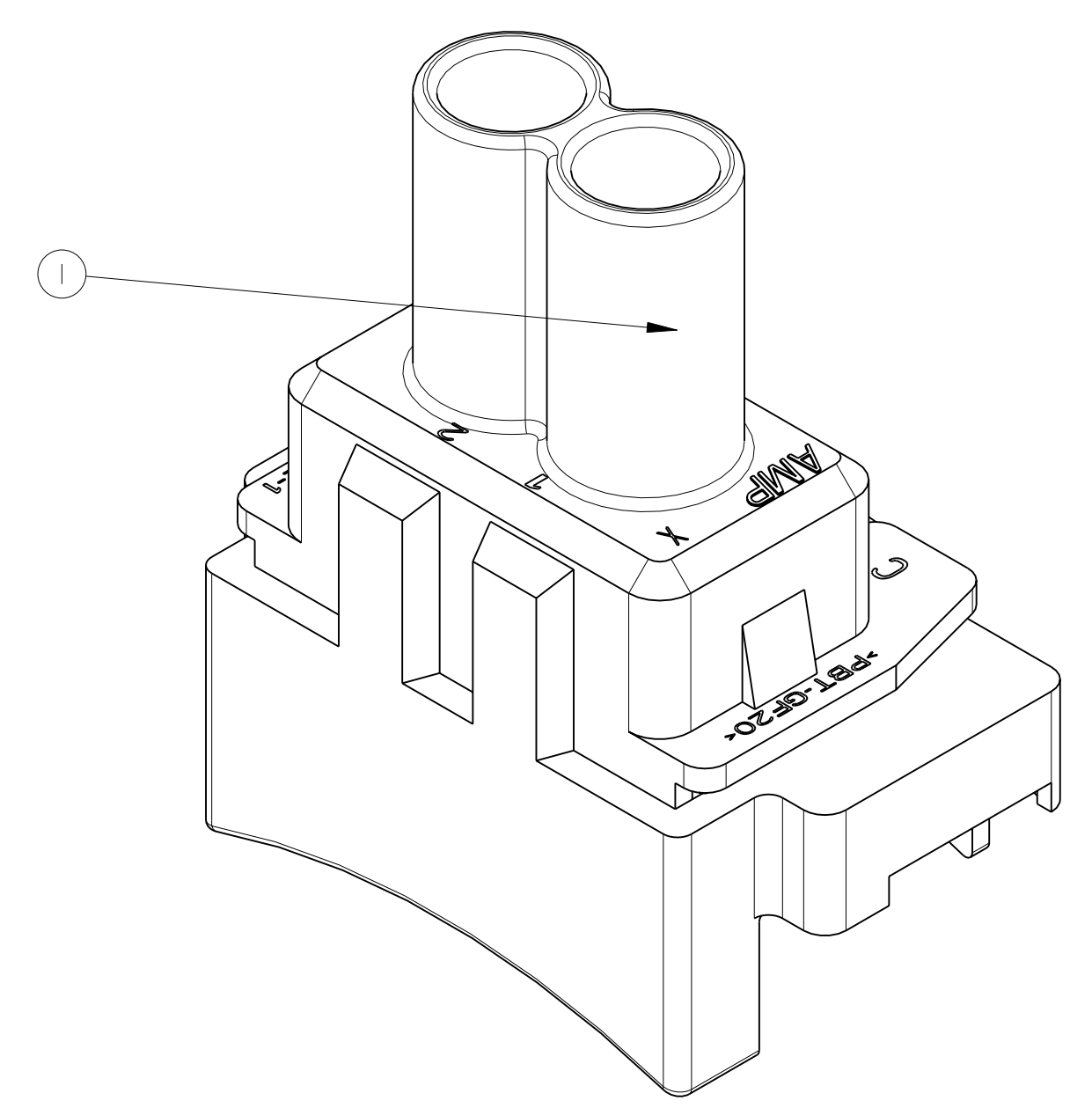
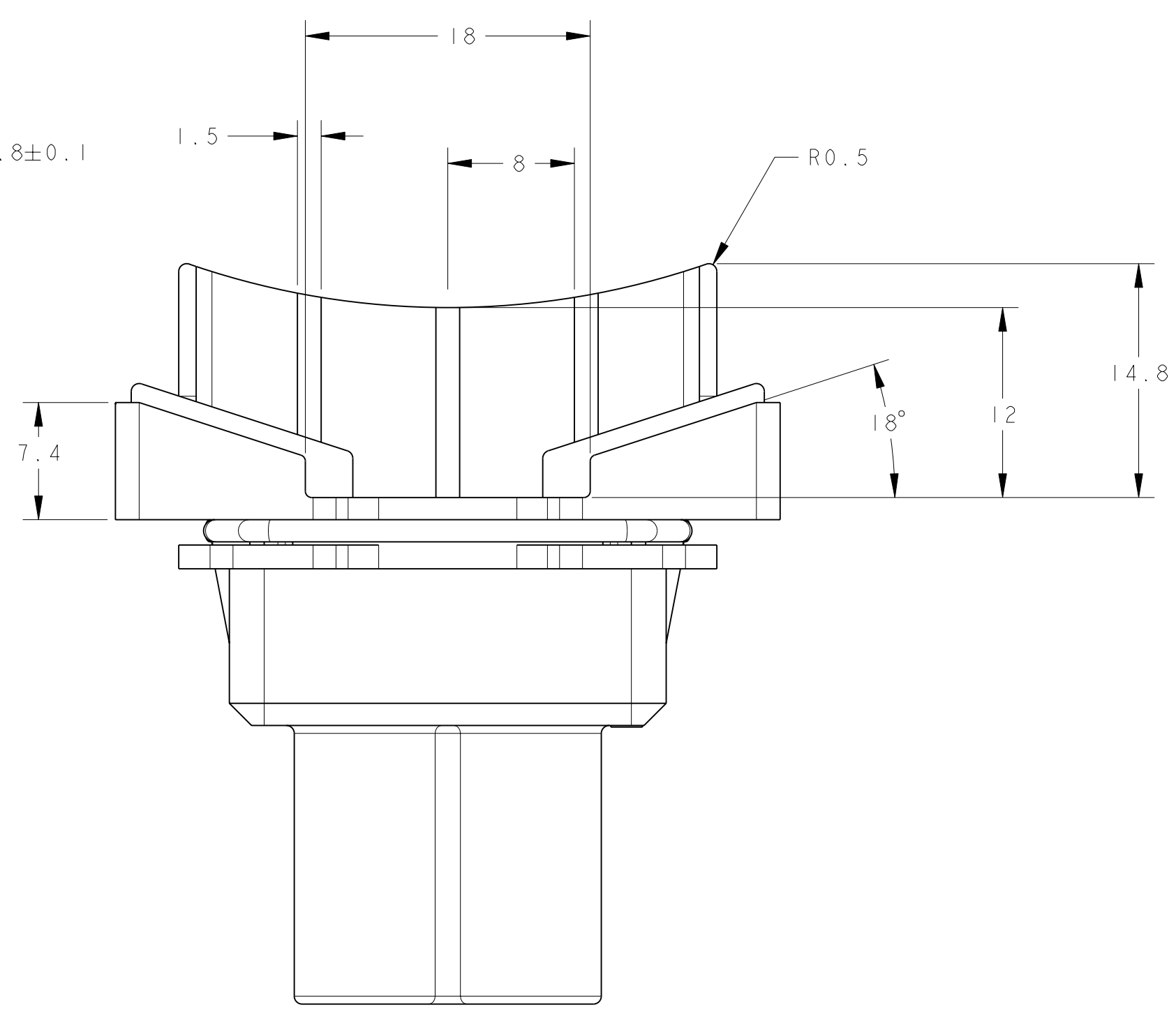
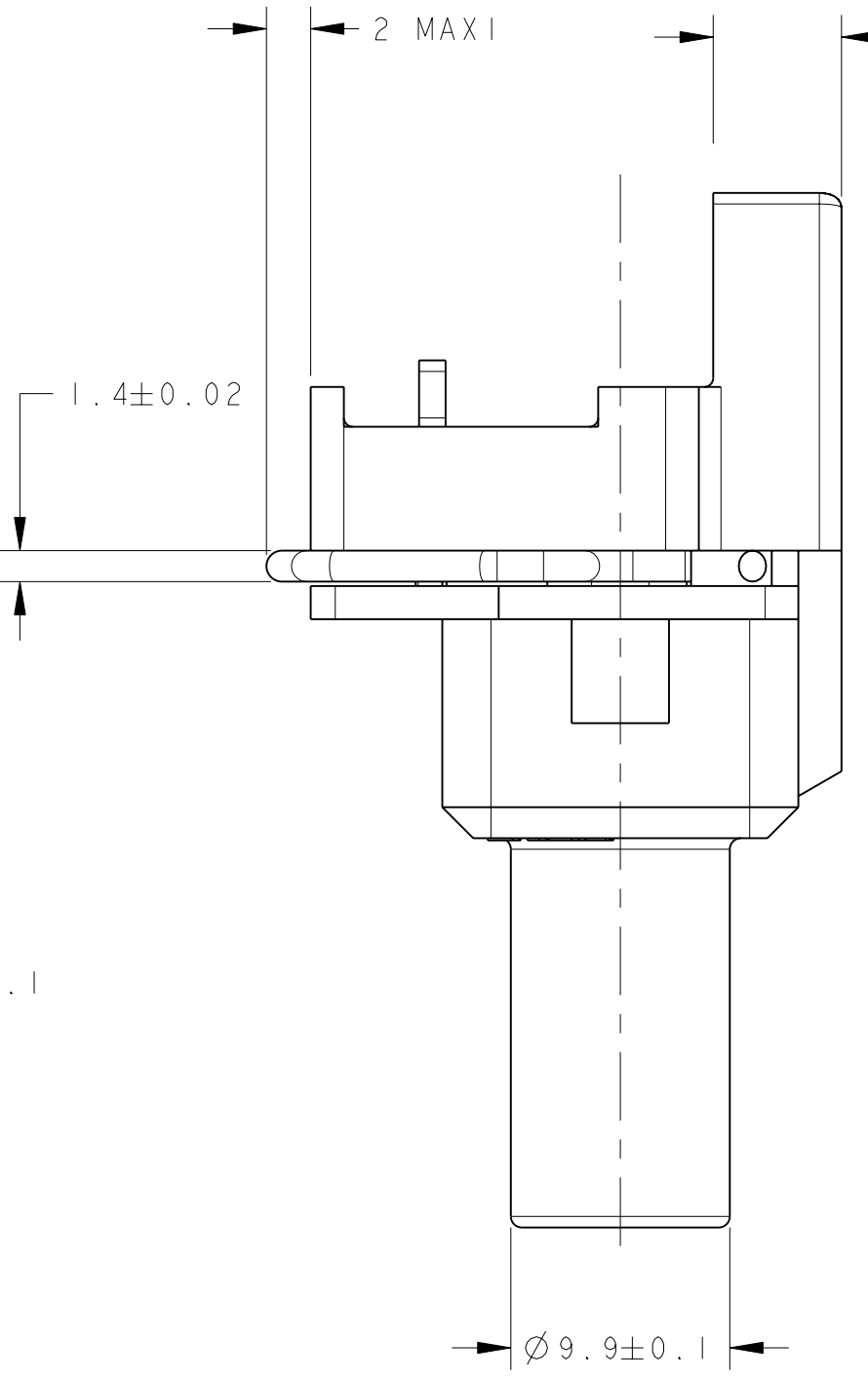
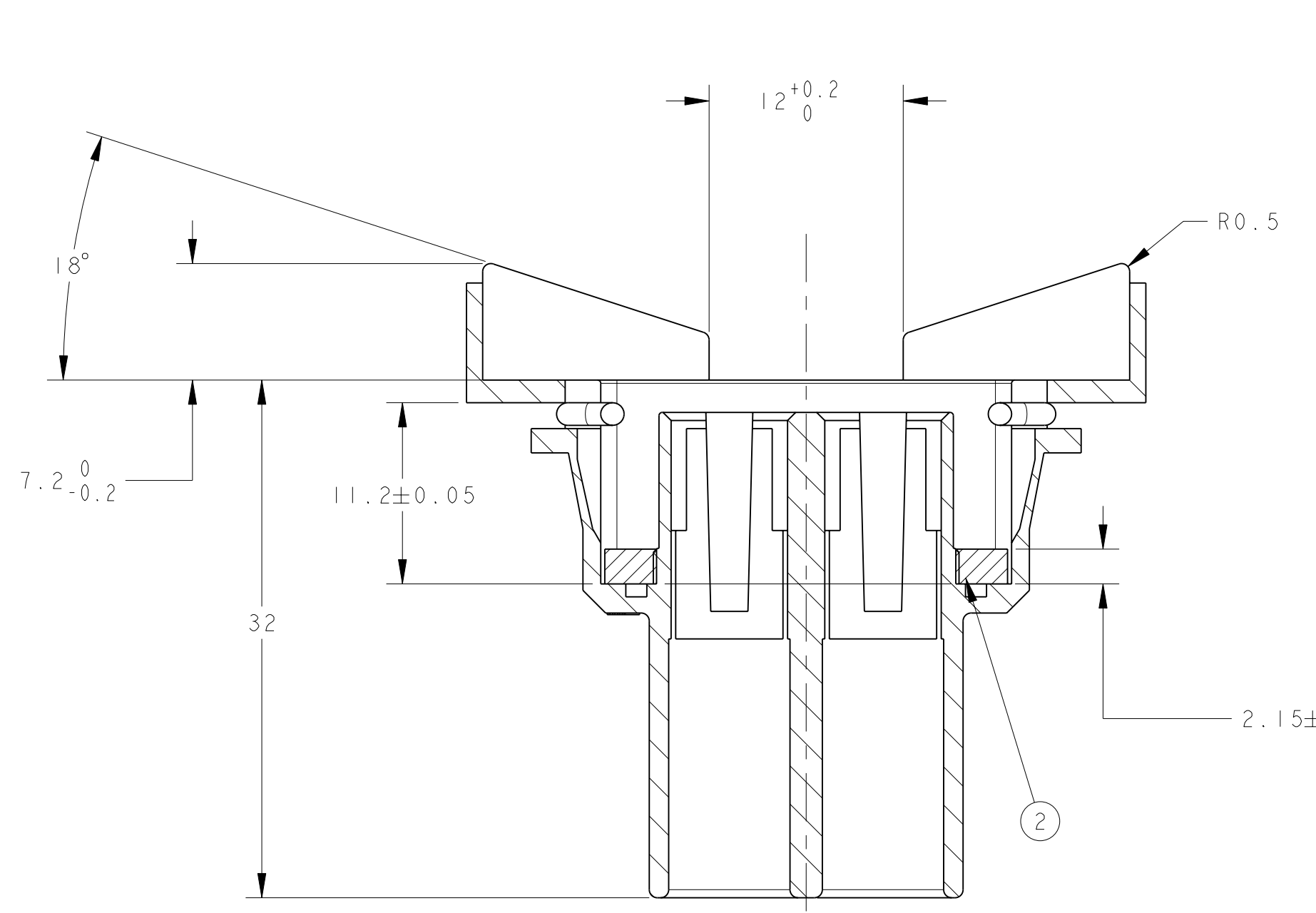
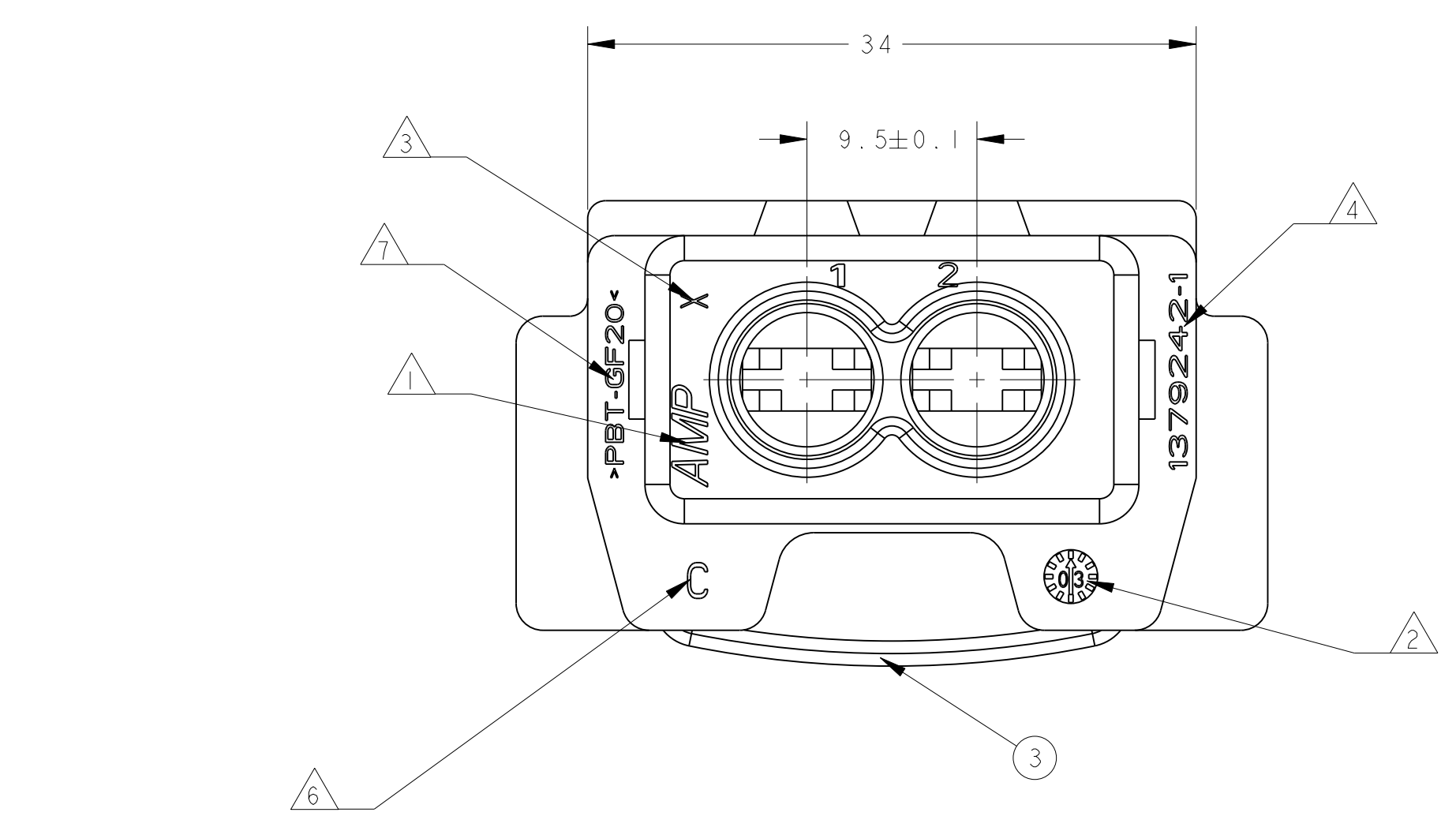
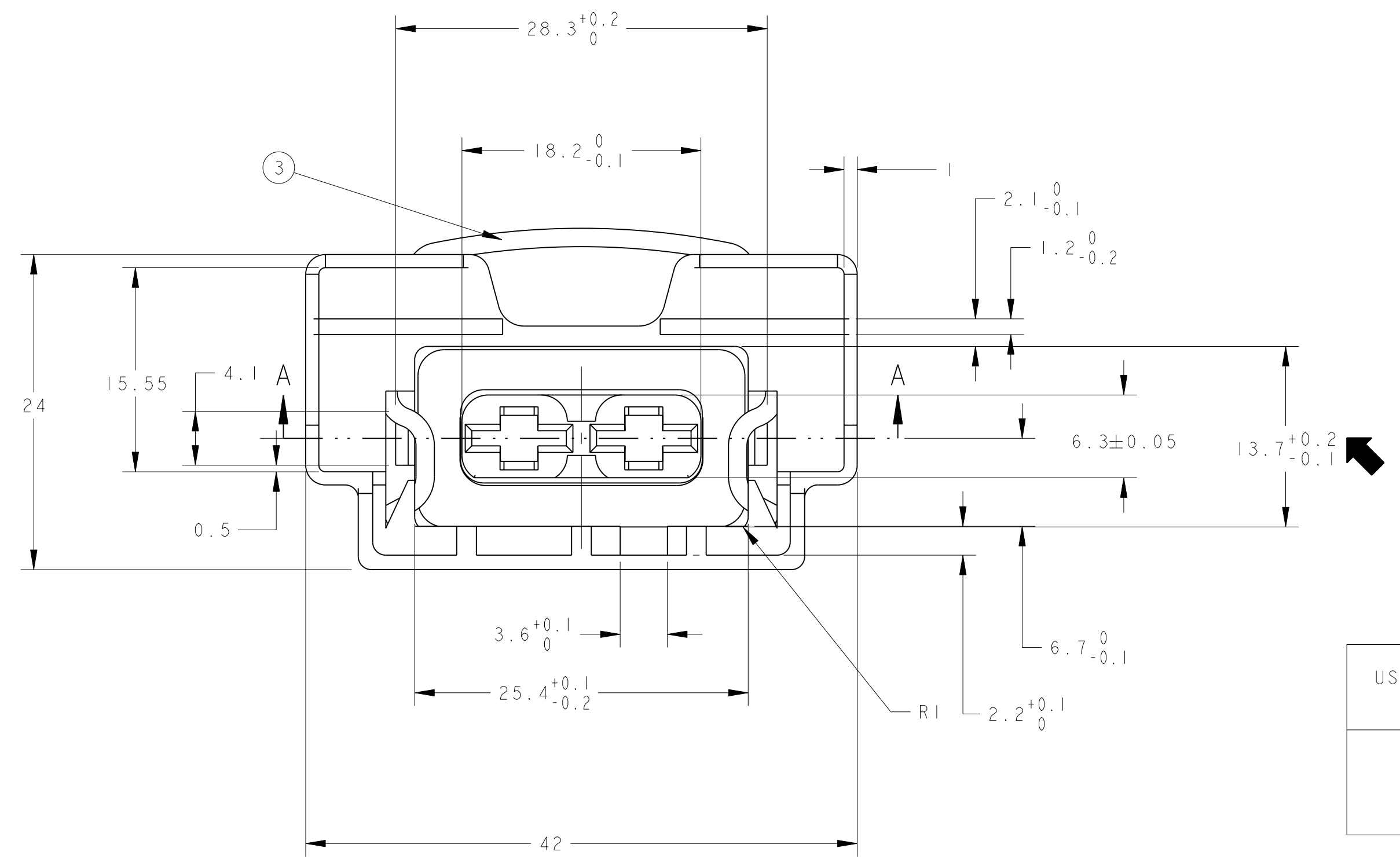


LOC	DIST	REVISIONS					
F	00	P	LTR	DESCRIPTION	DATE	DWN	APVD
		C		IMPROVEMENT SEAL RETENTION	17DEC2007	EM	OD



ITEM	DESCRIPTION	MATERIAL	Nbr	COLOR
1	HOUSING	PBT GF 20	1	BLACK
2	SEAL	SILICONE	1	NATURAL
3	SPRING	Z10 CN10.09	1	

- ▲ "AMP" LOGO
- ▲ MOLDING DATE CODE YY MM  
DATE DE MOULAGE
- ▲ CAVITY MARKING  
NUMERO D'EMPREINTE
- ▲ ASS'Y PART NUMBER  
REF DE L'ASSEMBLAGE
- 5 INTERFACE DRAWING NUMBER VALEO ETI091 Rev. D  
REFERENCE PLAN D'INTERFACE VALEO
- ▲ PART REVISION CODE -C-  
INDICE DE REVISION PIECE
- ➡ CAPABILITY DIMENSION  
COTE DE CAPABILITE
- ▲ MATERIAL IDENTIFICATION >PBT-GF-20<  
MARQUAGE MATIERE



	1379242-1
	1379242-2
TYCO ELECTRONICS PART NUMBER	

USABLE TERMINALS FOR THIS CONNECTOR	WIRE SIZE	SUITABLE SINGLE WIRE SEAL
928966-2	>2.5 - 4.0	963245-1 (YELLOW)

DIMENSIONS: mm 		TOLERANCES UNLESS OTHERWISE SPECIFIED: ±0.15 ±0.1 ±0.1 ±0.1		DWN: E. GARCIA 01DEC2003 CHK: E. MINY 01DEC2003 APVD: O. DALINO 01DEC2003 PRODUCT SPEC: 108-15317 Rev B APPLICATION SPEC: 114-15099 WEIGHT: 10 g CUSTOMER DRAWING		NAME: 2 POS SPT HOUSING ASS'Y CONNECTEUR 2 VOIES SPT ASS. SIZE: A1 CAGE CODE: 00779 DRAWING NO: 1379242 SCALE: 3:1 SHEET: 1 OF 1 REV: C	
MATERIAL: NA FINISH: NA		TOLERANCES UNLESS OTHERWISE SPECIFIED: ±0.15 ±0.1 ±0.1 ±0.1		Tyco Electronics France SAS 95300 Pontoise, France		RESTRICTED TO	