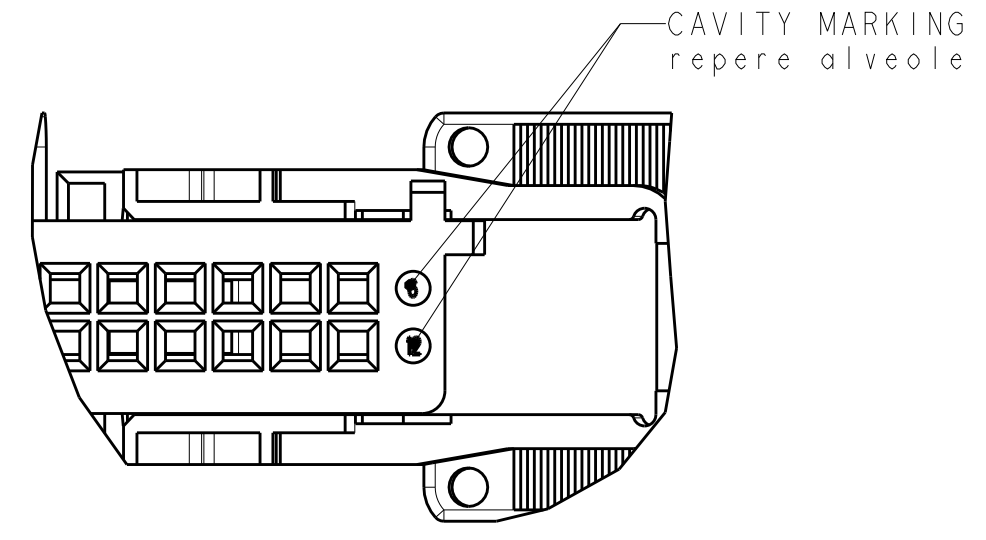
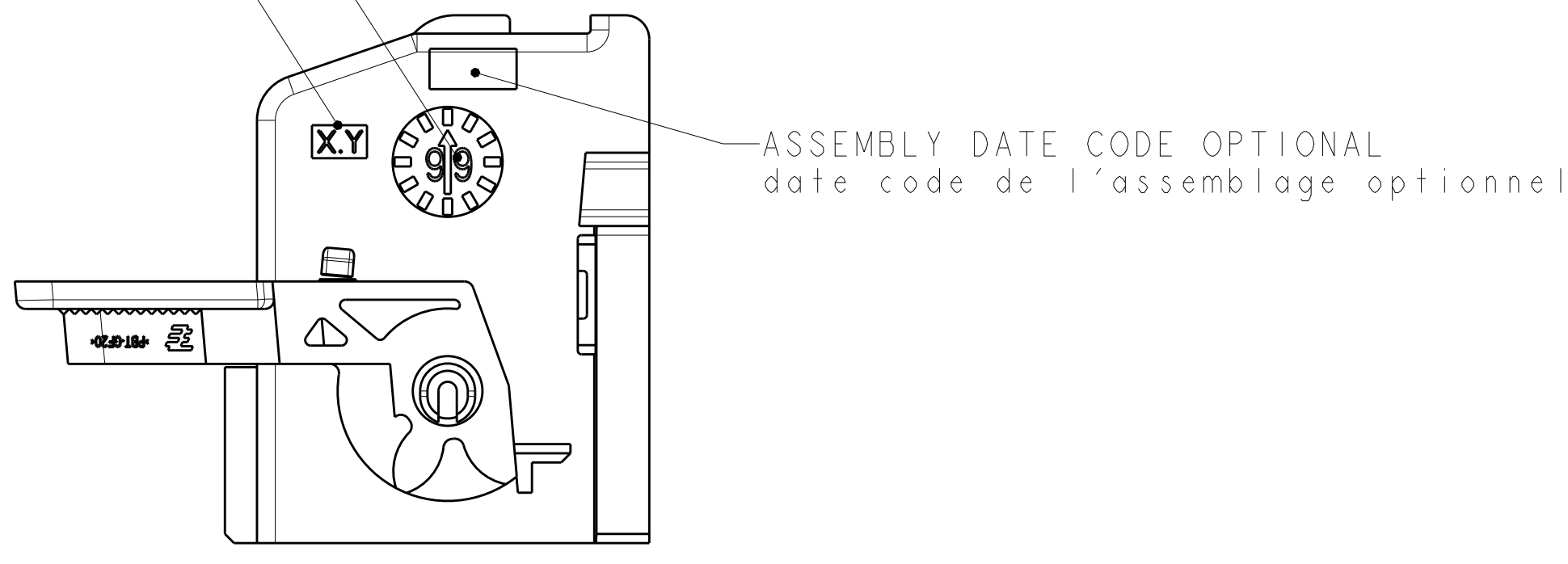
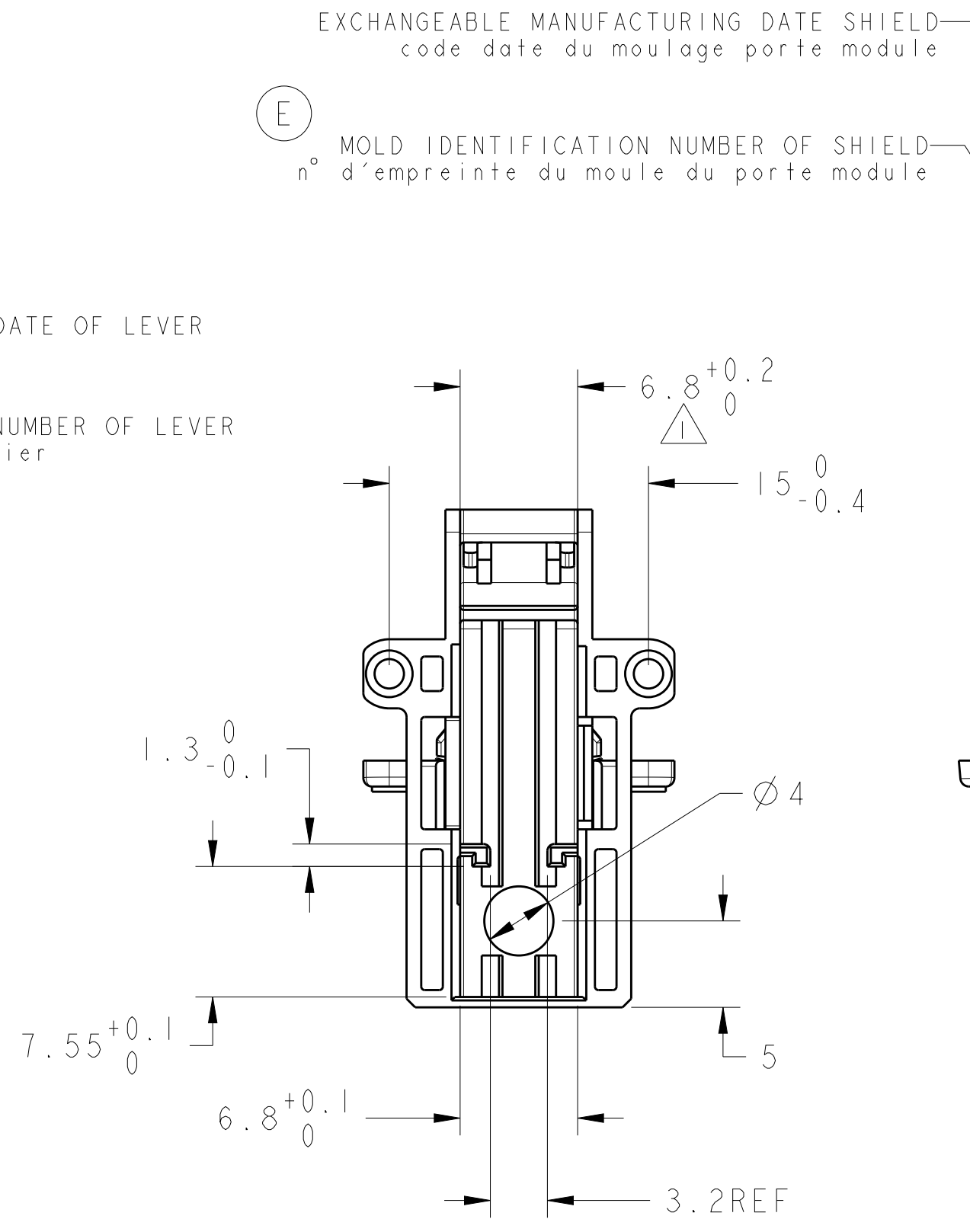
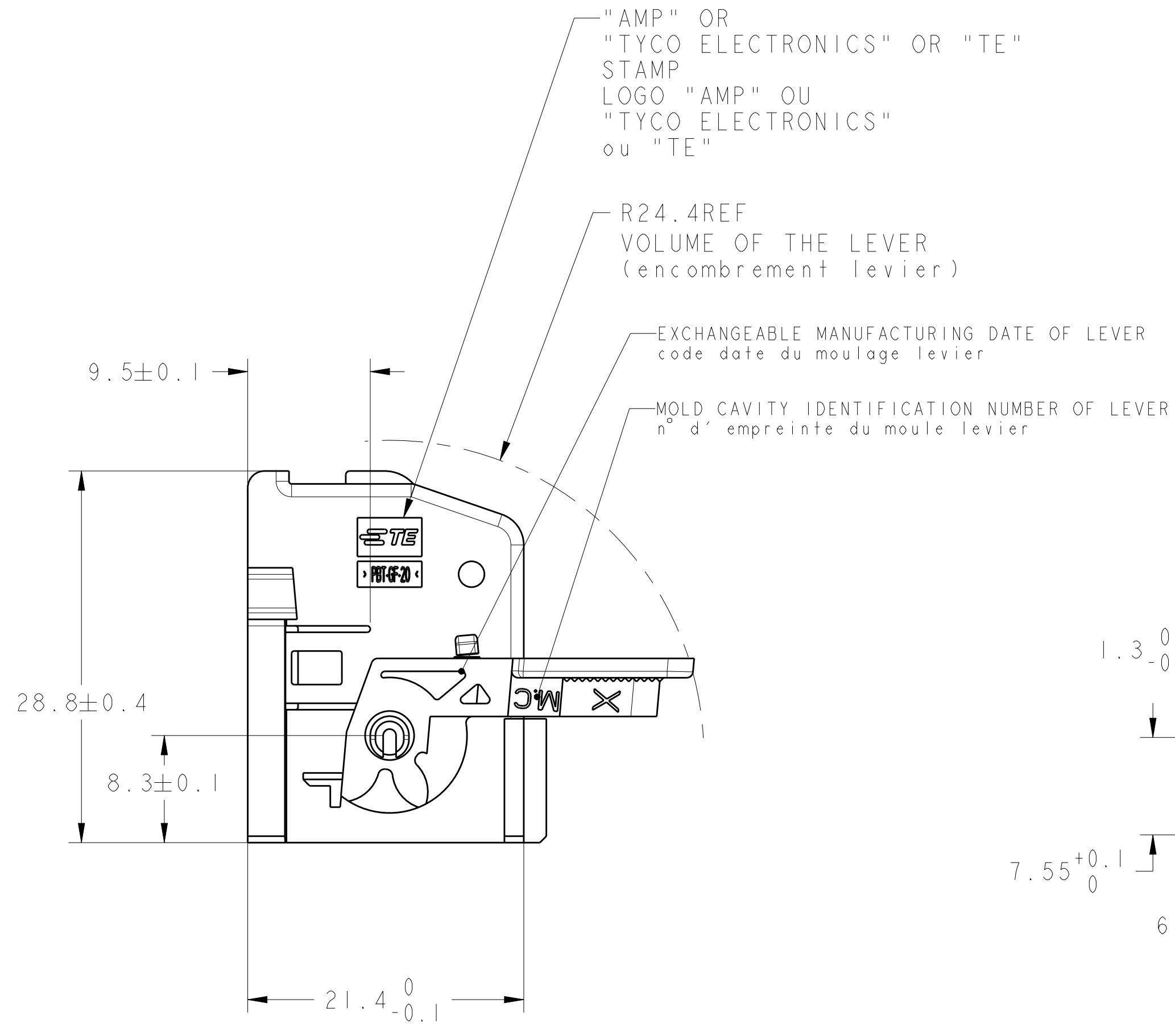


| REVISIONS | | | | | | |
|-----------|-----|-----|--------------------------------------|-----------|--------------|--------------|
| P. | LTN | REV | DESCRIPTION MODIFICATIONS | DATE | DWN BESS. | APVD APP. |
| B | | | ADDED PN 1397095-3 | 12AUG2003 | MP | XR |
| C | | | ADDED ASSEMBLY DATE CODE | 13JUL2007 | MP | XR |
| D | | | DIMENSIONS UPDATED AND NOTE 1 ADDED | 20AUG2010 | EC | XR |
| E | | | UPDATED MOLD CAVITY MARKING OF COVER | 07MAY2019 | ASB | GKT |

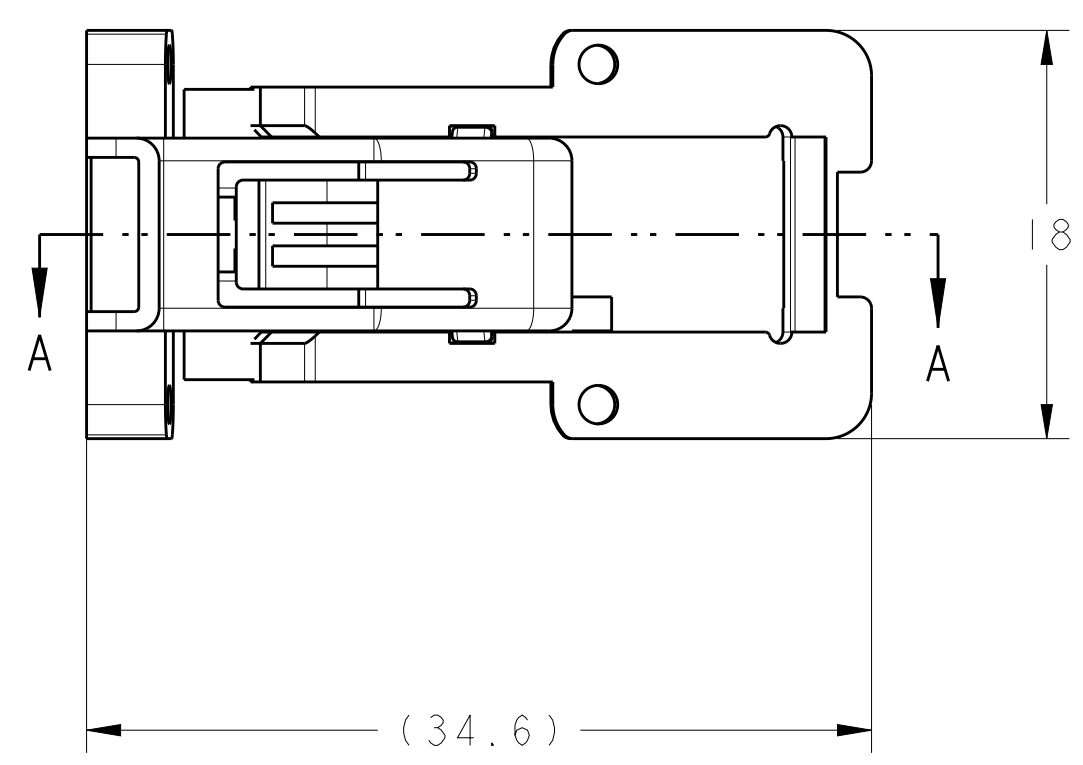
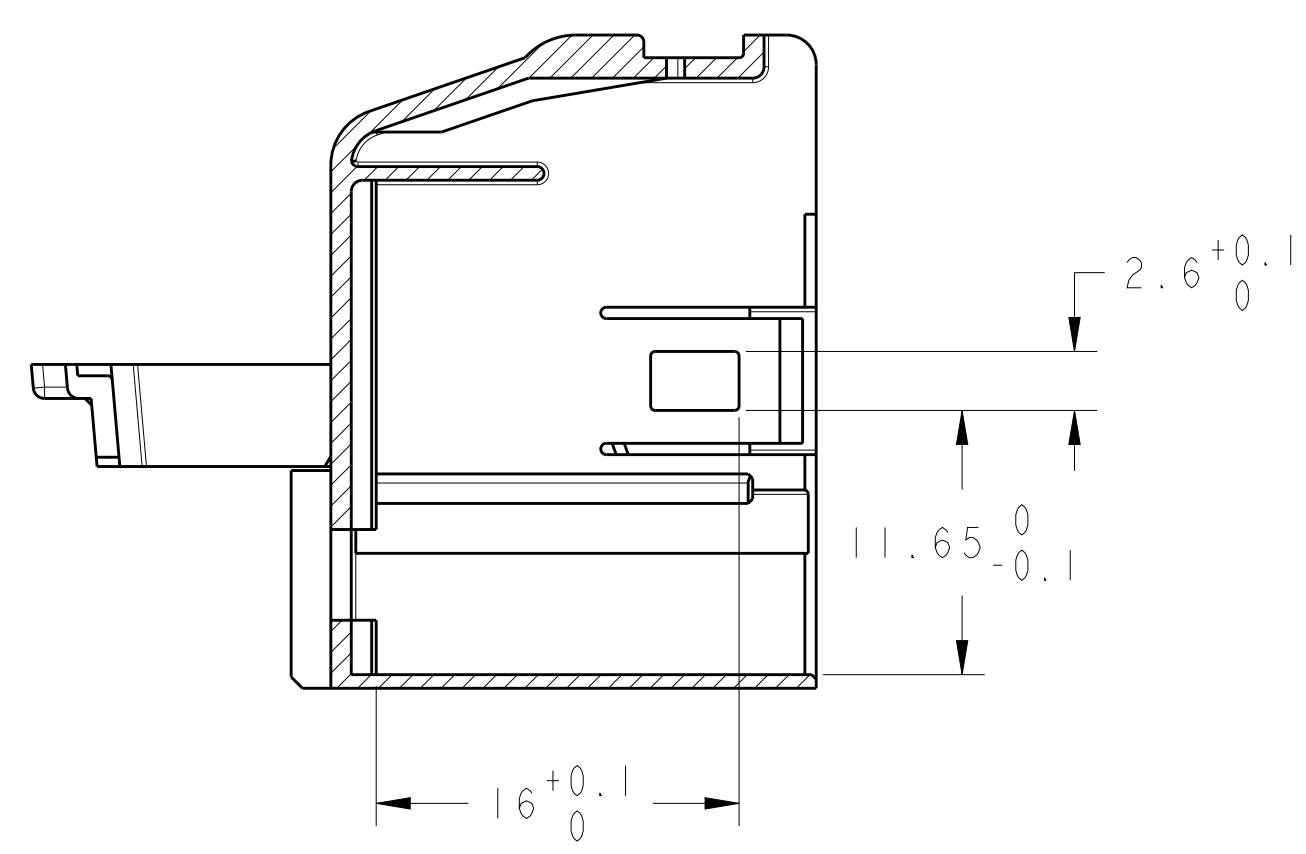


| DESIGNATION designation | ITEM rep. | QTTY qte | MATERIAL matiere | TE PN ref TE | COLOR couleur | KEYING detrompage |
|----------------------------|--------------|-------------|--------------------------|-----------------|------------------|----------------------|
| SHIELD capot | 1 | 1 | PBT GF 20% PBT 20% FV | 1379095-3 | BLACK noir | |
| LEVER levier | 2 | 1 | PBT GF 20% PBT 20% FV | 1379095-3 | BLACK noir | |
| SHIELD capot | 1 | 1 | PBT GF 20% PBT 20% FV | 1379095-2 | BLUE bleu | |
| LEVER levier | 1 | 1 | PBT GF 20% PBT 20% FV | 1379095-2 | BLACK noir | |
| SHIELD capot | 1 | 1 | PBT GF 20% PBT 20% FV | 1379095-1 | BROWN marron | |
| LEVER levier | 2 | 1 | PBT GF 20% PBT 20% FV | 1379095-1 | BLACK noir | |



△ ALLOWED DEFORMATION 0.3MAX

COUPE A-A



| | | | |
|----------------------------------------------------------------------------------------------------------------------------------------------------------------------------------------------------------------------------------------|------------------------------------|----------------------------------------|---------------------------------------------------------------------------------------------------------|
| THIS DRAWING IS A CONTROLLED DOCUMENT. CE PLAN EST UN DOCUMENT CONTROLÉ PAR AMP INCORPORATED. IL EST SOUS LE CONTRÔLE DE LA DIVISION CLIENTS DE SERVICE. TOUT CHANGEMENT DE STATUT DOIT ÊTRE NOTIFIÉ AU DÉPARTEMENT CONCERNÉ. | | DWN/DESSINE M. POLIFONTE 06OCT99 | NAME SHIELD + LEVER FOR MQS 12 POS (0) ASSY GENE 11 PORTE-MODULE 12 VOIES MQS GENE 11 ASSY (0) |
| DIMENSIONS: mm | | CHK/REVISE J. LALANDE 06OCT99 | PRODUCT SPEC SPEC. PRODUCT 108-15261 |
| TOLERANCES UNLESS OTHERWISE SPECIFIED: 0 PLG/DEC: #: 1 PLG/DEC: #: 2 PLG/DEC: #0.2 4 PLG/DEC: #: ANGLES: #° | | APVD/APPROVE J. LALANDE 06OCT99 | APPLICATION SPEC SPEC. APPLICATION 411-15565 |
| MATERIAL/MATIERE VOIR TABLEAU | FINISH/FINITION VOIR TABLEAU | WEIGHT MASSE APPROX. 3.2g | SIZE FORMA A1 |
| CUSTOMER DRAWING /PLAN CLIENT | | CAGE CODE /DRAWING NO 00779 | RESTRICTED TO RESERVE A |
| UNIQUEMENT /SCALE POUR REFERENCE ECHELLE 3:1 | | SHEET FEUILLE 1 | REV E |