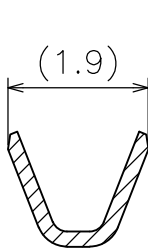
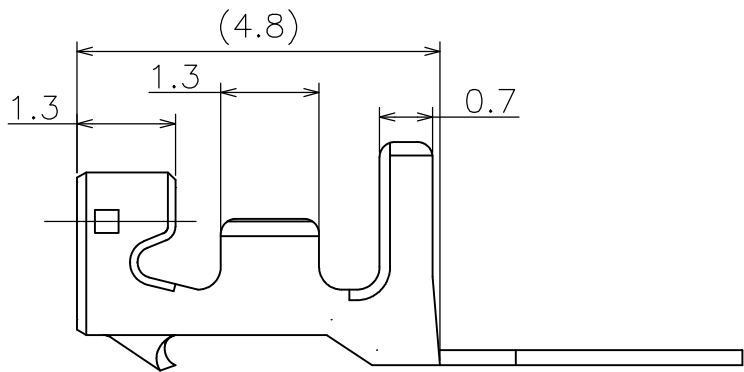
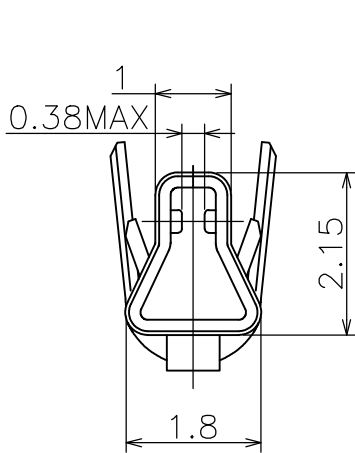
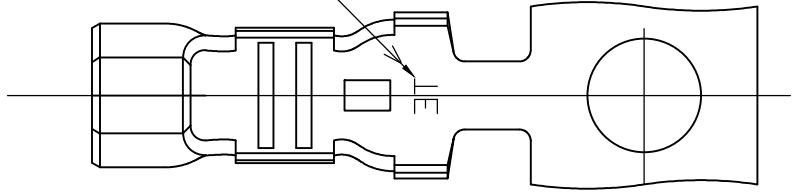
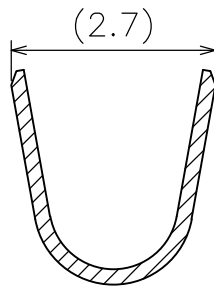


REVISIONS					
P	LTR	DESCRIPTION	DATE	DWN	APVD
	C1	REVISED PER ECR-20-100273	13AUG2020	M.M	D.Z

トレードマーク
TRADE MARK



断面 A-A
SECT A-A



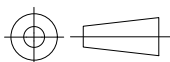
断面 B-B
SECT B-B

PRE TINNED PHOSPHOR BRONZE (0.2t) 錫めっき済み磷青銅 (板厚 0.2)	0-1376476-1
MATERIAL 材料	PART No 型番

WIRE RANGE 抱合電線断面積 AWG #26~# 22(0.12~0.38mm ²)	INSULATION DIA 被覆外径 φ1.2 ~1.9
--	-------------------------------------

TE Connectivity. All Rights Reserved.
© 2020

DIMENSIONS: 単位: 耗 mm		DWN N.YAMASAKI 13AUG2020	MATERIAL 材料 SEE TABLE	FINISH 仕上げ -
TOLERANCES UNLESS OTHERWISE SPECIFIED: 一般公差		CHK M.SHINDO 20 SEP '02	TE Connectivity	
0 PLC ± 0.2		APVD Y.KASHIWA 20 SEP '02		
1 PLC ± 0.2		PRODUCT SPEC 製品規格 108-5703		
2 PLC ± 0.2		APPLICATION SPEC 取付適用規格 114-5286	NAME 名称 2.5MM SIGNAL MATE CONN REC CONT	
3 PLC ± -		WEIGHT	SIZE A4	CAGE CODE 00779
4 PLC ± -			DRAWING NO 番号 1376476	RESTRICTED TO -
ANGLES ± 3°				



CUSTOMER DRAWING

SCALE 尺度	1:1	SHEET	1 OF 1	REV	C1
-------------	-----	-------	--------	-----	----